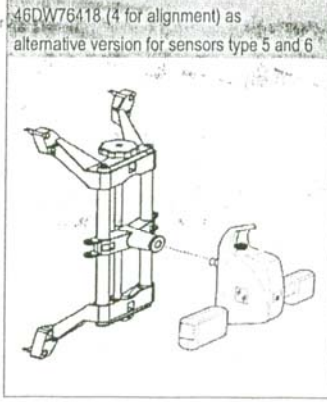
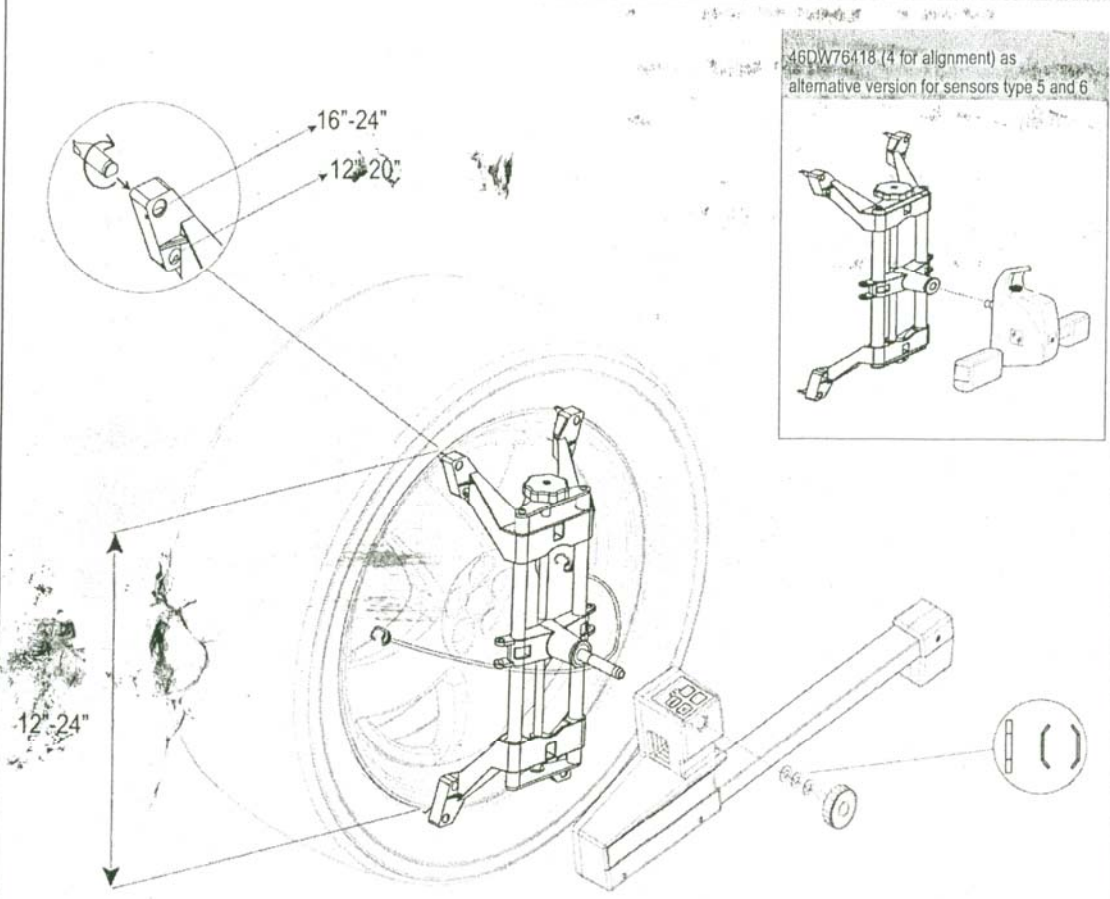


# Clamp-on sensor system for wheel alignment of motor vehicles, pickup trucks and trucks



**46DW66130 (4 for alignment), 4-point wheel clamp with working diameter from 12" to 24" for sensors type 4 and 8**



**► Complete with :**

46DW75327  
Set of 4 metal jaws  
(L = 45 mm)



21DW76363  
Safety elastic band

