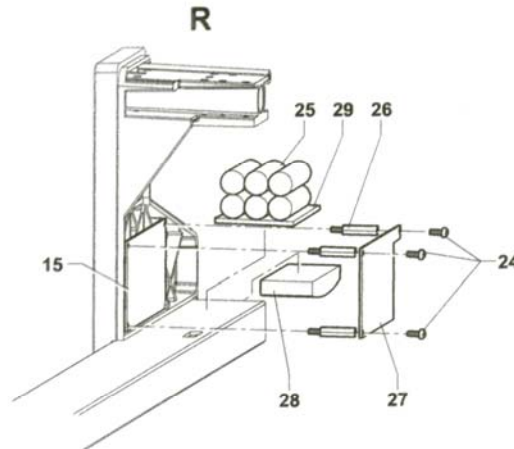
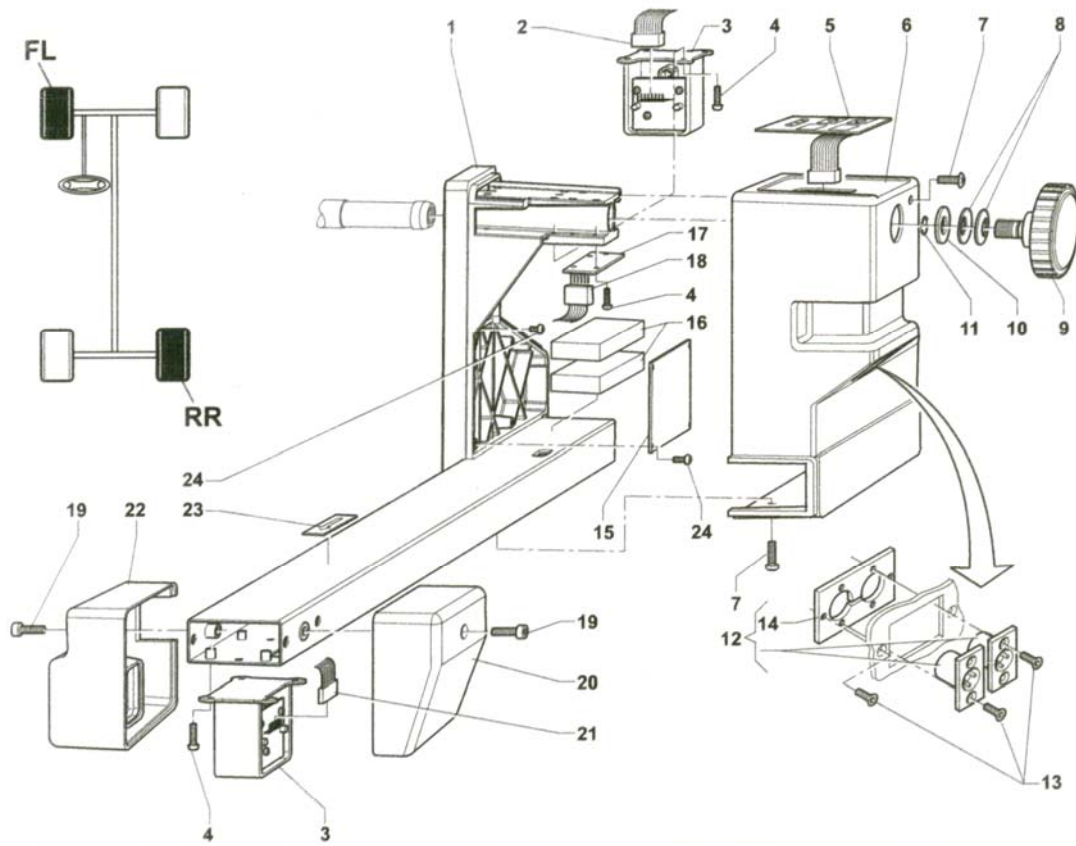


# FL-RR MEASURING HEADS



N.	CODE	DESCRIPTION	N.	CODE	DESCRIPTION	N.	CODE	DESCRIPTION
1	42DW65891	FL-RR BRACKET	10	325035010	* FLAT WASHER	21	86SB58802	TOE OPTIC-LOGIC CABLE
2	86SB58801	ALIGN. OPTIC-LOGIC CABLE	11	344300010	* ELASTIC WASHER	22	14DW55714	FL-RR OUT. COVER
3	86SB58796	OPTICAL GROUP	12	86SB58803	CONN. CABLE TRANSDUCER	23	040010101	STICK-ON ARROW (FL)
4	314232018	* SCREW	13	315231018	* SCREW	24	314232015	* SCREW
5	05PR55125	RED PANEL	14	42DW62912	PLATE FOR SOCKETS	25	735000720	BATTERY (R)
5	05PR74048	BLUE PANEL	15	67D74363A	LOGIC BOARD	26	527035040	* SPACER (R)
5	05PR66738	ORANGE PANEL	16	290290250	ADHES. COUNTERWEIGHT	27	67D79307A	BLUETOOTH BOARD (R)
6	14DW65221	FL-RR COVER	17	67D65143A	ACCELEROMETER BOARD	28	290290300	* ADHES. COUNTERWEIGHT (R)
7	317232037	* SCREW	18	86SB58800	ACCEL-LOGIC CABLE	29	215000021	* ADHESIVE VELCRO (R)
8	345102008	* WASHER	19	312120036	* SCREW			
9	065054010	LOCKING KNOB	20	14DW55715	FL-RR INS. COVER			

\* Parts on the market

(R) Radio version only

(FL) Front Left Meas. Head  
(RR) Rear Right Meas. Head