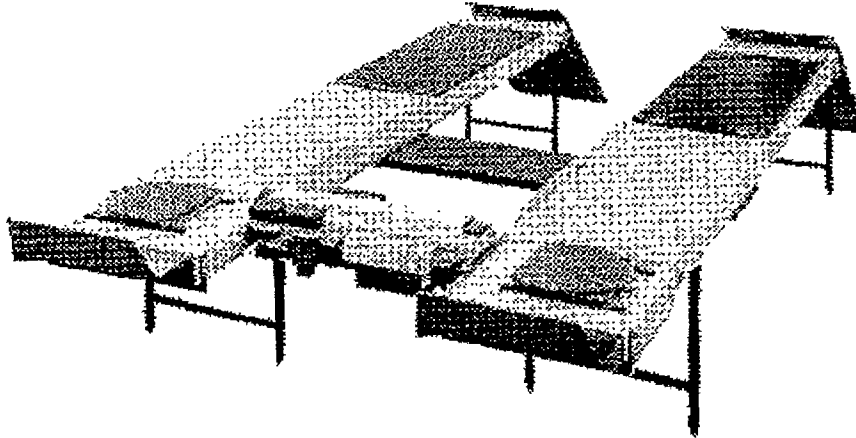




# EXPLODED VIEW and PARTS LIST



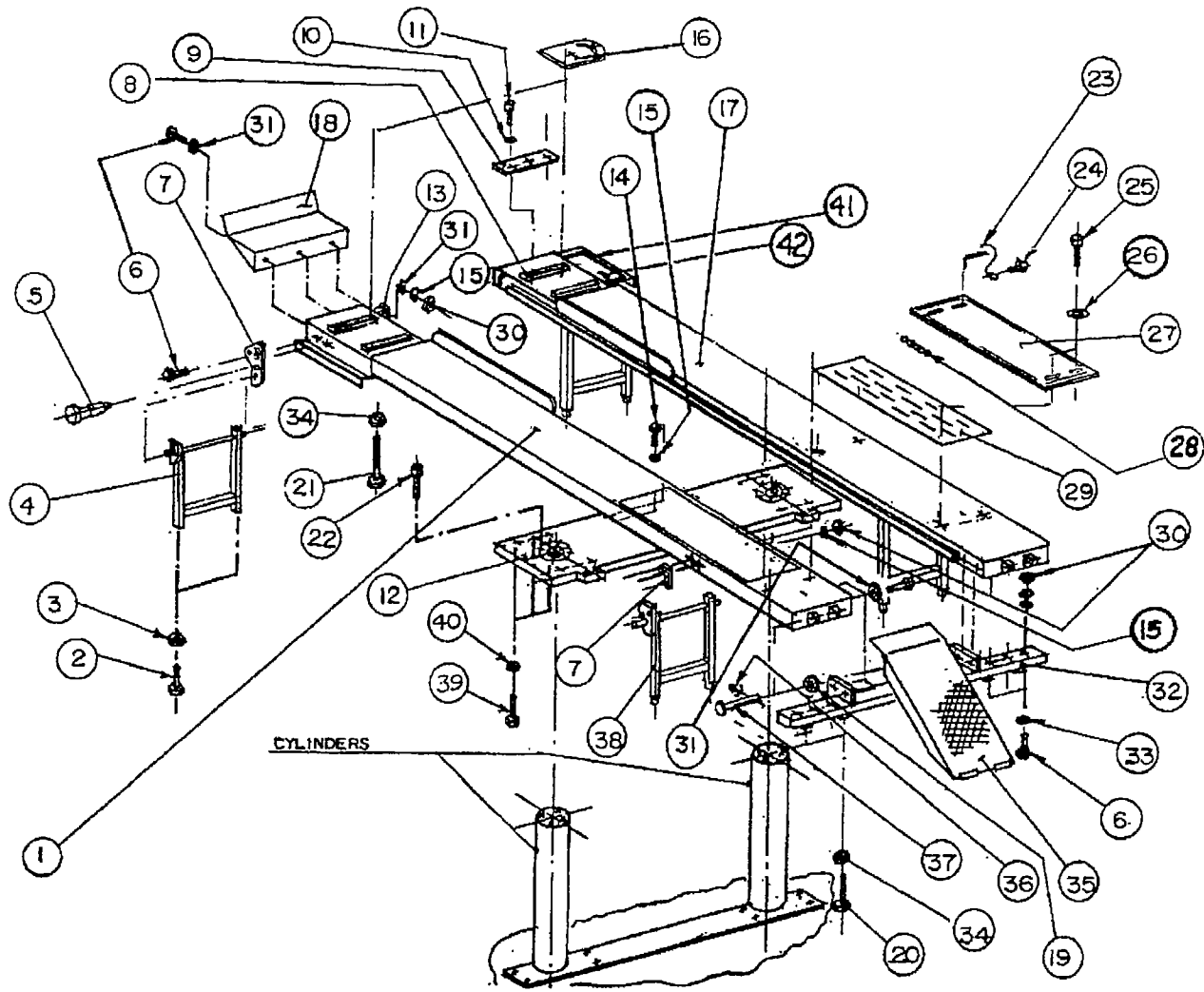
ALIGNMENT  
RUNWAYS  
Model AC7514 /  
AC7614  
(6000 LB.)

**READ and SAVE THIS  
INSTRUCTION MANUAL**



P.O. Box 15540 Richmond, VA 23227  
804-798-8922  
www.accu-turn.com 1-800-551-2228

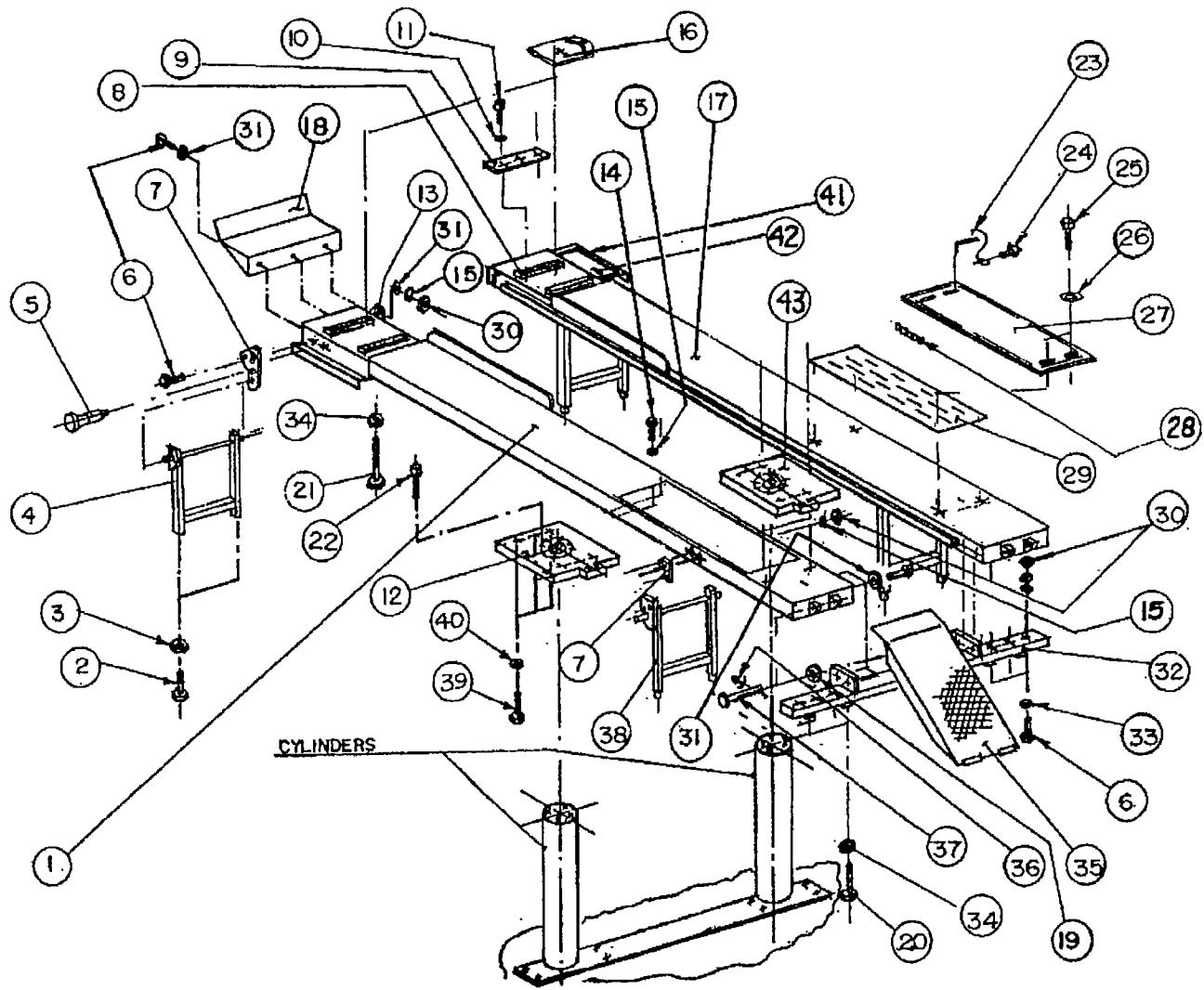
MAR. 2000 6-2223



SINGLE BOLSTER PARTS ASSEMBLY

## PARTS LIST

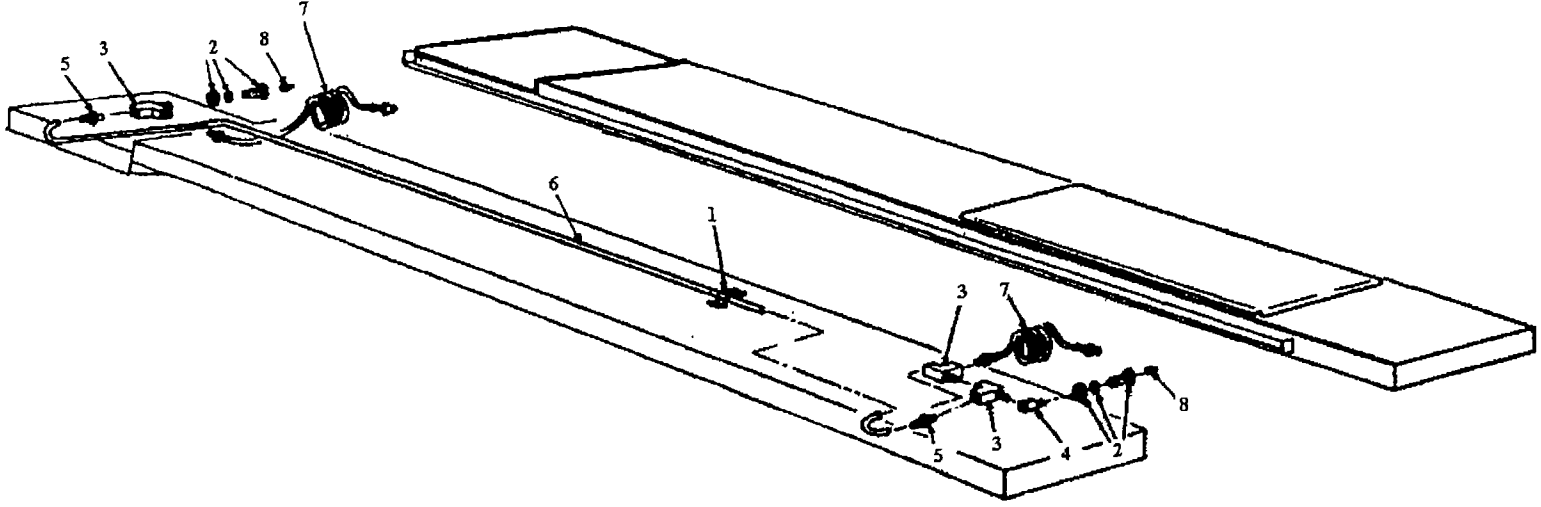
ITEM	QTY.	DESCRIPTION	PART #
1	1	ALIGNMENT DECK WELDMENT, LEFT SIDE (144"W/B)	4-0245
2	8	TAP BOLT, 5/8"-11UNC X 4" LG.	6-0049
3	8	JAM NUT, 5/8"-11UNC	6-0039
4	2	LEVELLING LEG, FRONT-LEFT, REAR-RIGHT	3-0248
5	4	PLUNGER ASSEMBLY	2-0086
6	32	HEX BOLT, 1/2"-13UNC X 1 1/2"LG.	6-0291
7	4	LEVELLING LEG BRACKET, OUTSIDE	2-0999
8	4	SPACER BAR	2-0636
9	4	RETAINING BAR	2-0635
10	16	LOCK WASHER, 1/4" I.D.	6-0056
11	16	HEX BOLT, 1/4"-20UNC X 3/4"LG.	6-0178
12	1	ADAPTER TIE BAR (BOLSTER)	4-0304
13	2	LEVELLING LEG BRACKET, INSIDE	2-1000
14	4	HEX BOLT, 1/2"-13UNC X 2 1/2"LG.	6-0767
15	36	LOCK WASHER, 1/2" I.D.	6-0059
16	2	TURNING RADIUS PLATE ASSEMBLY (OPTION)	4-0220
17	1	ALIGNMENT DECK WELDMENT, R.S. (144"W/B)	4-0246
18	2	FRONT WHEEL STOP	2-0851
19	2	FLAT WASHER, 51/64" I.D. X 1" O.D. X 1/16" THK.	6-0808
20	4	HEX BOLT, 3/4"-10UNC X 3"LG.	6-1101
21	8	HEX BOLT, 3/4"-10UNC X 6"LG.	6-1128
22	12	SOCKET HEAD BOLT, 7/8"-9UNC X 1 1/2"LG.	6-1271
23	4	LOCKING PIN ASSEMBLY	2-0637
24	4	SELF TAPPING SCREW, #10 X 1/2"LG.	6-0505
25	8	SHOULDER BOLT, 3/8" X 5/8"LG.	6-0069
26	8	FLAT WASHER, 13/32" I.D. X 2" O.D.	6-0426
27	2	SLIDE PLATE	3-0197
28	1 SET	1/4" DIA. BALL BEARING	6-0829
29	2	BEARING CAGE	3-0196
30	32	HEX NUT, 1/2"-13UNC	6-0035
31	22	FLAT WASHER, 1/2" I.D.	6-0063
32	1	REAR TIE BAR	3-0457
33	10	FLAT WASHER, 1/2" SAE	6-0439
34	12	HEX NUT, 3/4"-10UNC	6-0037
35	2	APPROACH RAMP	3-0506
36	2	COTTER PIN, 1/8" X 2"LG.	6-0115
37	2	RAMP PIN WELDMENT	1-0095
38	2	LEVELLING LEG, FRONT-RIGHT, REAR-LEFT	3-0272
39	12	HEX BOLT, 3/4"-10UNC X 2 1/2"LG.	6-0891
40	12	LOCK WASHER, 3/4" I.D.	6-0181
41	2	PULL OUT STEP ASSEMBLY	2-0362
42	2	SAFETY WALK TAPE	1-0749



DOUBLE BOLSTER PARTS ASSEMBLY

## PARTS LIST

ITEM	QTY.	DESCRIPTION	PART #
1	1	ALIGNMENT DECK WELDMENT, LEFT SIDE (155"W/B)	4-0330
2	8	TAP BOLT, 5/8"-11UNC X 4" LG.	6-0049
3	8	JAM NUT, 5/8"-11UNC	6-0039
4	2	LEVELLING LEG, FRONT-LEFT, REAR-RIGHT	3-0248
5	4	PLUNGER ASSEMBLY	2-0086
6	32	HEX BOLT, 1/2"-13UNC X 1 1/2"LG.	6-0291
7	4	LEVELLING LEG BRACKET, OUTSIDE	2-0999
8	4	SPACER BAR	2-0636
9	4	RETAINING BAR	2-0635
10	16	LOCK WASHER, 1/4" I.D.	6-0056
11	16	HEX BOLT, 1/4"-20UNC X 3/4"LG.	6-0178
12	1	ADAPTER TIE BAR, LEFT SIDE	2-1001
13	2	LEVELLING LEG BRACKET, INSIDE	2-1000
14	4	HEX BOLT, 1/2"-13UNC X 2 1/2"LG.	6-0767
15	36	LOCK WASHER, 1/2" I.D.	6-0059
16	2	TURNING RADIUS PLATE ASSEMBLY (OPTION)	4-0220
17	1	ALIGNMENT DECK WELDMENT, R.S. (155"W/B)	4-0331
18	2	FRONT WHEEL STOP	2-0851
19	2	FLAT WASHER, 51/64" I.D. X 1" O.D. X 1/16" THK.	6-0808
20	4	HEX BOLT, 3/4"-10UNC X 3"LG.	6-1101
21	8	HEX BOLT, 3/4"-10UNC X 6"LG.	6-1128
22	12	SOCKET HEAD BOLT, 7/8"-9UNC X 1 1/2"LG.	6-1271
23	4	LOCKING PIN ASSEMBLY	2-0637
24	4	SELF TAPPING SCREW, #10 X 1/2"LG.	6-0505
25	8	SHOULDER BOLT, 3/8" X 5/8"LG.	6-0069
26	8	FLAT WASHER, 13/32" I.D. X 2" O.D.	6-0426
27	2	SLIDE PLATE	3-0197
28	1 SET	1/4" DIA. BALL BEARING	6-0829
29	2	BEARING CAGE	3-0196
30	32	HEX NUT, 1/2"-13UNC	6-0035
31	22	FLAT WASHER, 1/2" I.D.	6-0063
32	1	REAR TIE BAR	3-0457
33	10	FLAT WASHER, 1/2" SAE	6-0439
34	12	HEX NUT, 3/4"-10UNC	6-0037
35	2	APPROACH RAMP	3-0506
36	2	COTTER PIN, 1/8" X 2"LG.	6-0115
37	2	RAMP PIN WELDMENT	1-0095
38	2	LEVELLING LEG, FRONT-RIGHT, REAR-LEFT	3-0272
39	12	HEX BOLT, 3/4"-10UNC X 2 1/2"LG.	6-0891
40	12	LOCK WASHER, 3/4" I.D.	6-0181
41	2	PULL OUT STEP ASSEMBLY	2-0362
42	2	SAFETY WALK TAPE	1-0749
43	1	ADAPTER TIE BAR, RIGHT SIDE	2-1002



AIR KITS ASSEMBLY

**AIR KIT PARTS**

<b>ITEM</b>	<b>QTY.</b>	<b>DESCRIPTION</b>	<b>PART #</b>
1	5	FRAME CLIP	6-0500
2	2	TERMINAL BOLT, 3/4"-16M W/ 1/4" NPT F	6-0167
3	3	STREET TEE 1/4"NPT	6-0014
4	1	STREET ELBOW, 1/4" NPT	6-0015
5	2	POLYTUBE STRAIGHT ADAPTER, 3/8" X 1/4"NPT	6-0710
6	1	HOSE 144"W/B	1-0120
7	2	12' COILED HOSE	6-0337
8	2	PLUG, 1/4"NPT	6-0282