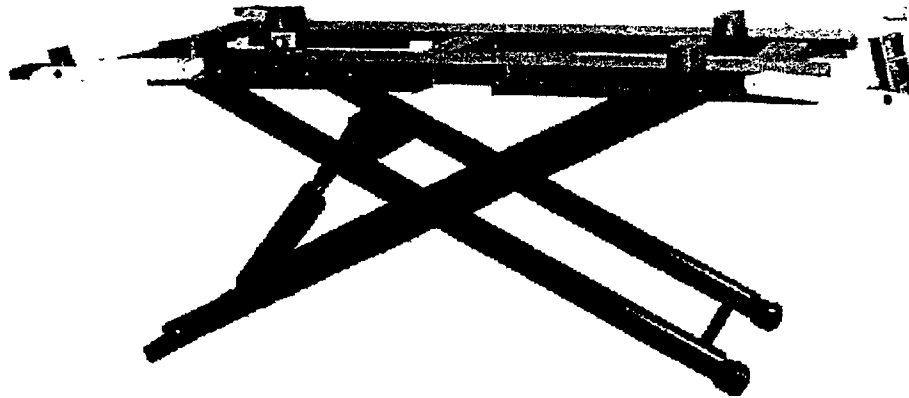




## **PARTS MANUAL and EXPLODED VIEWS**



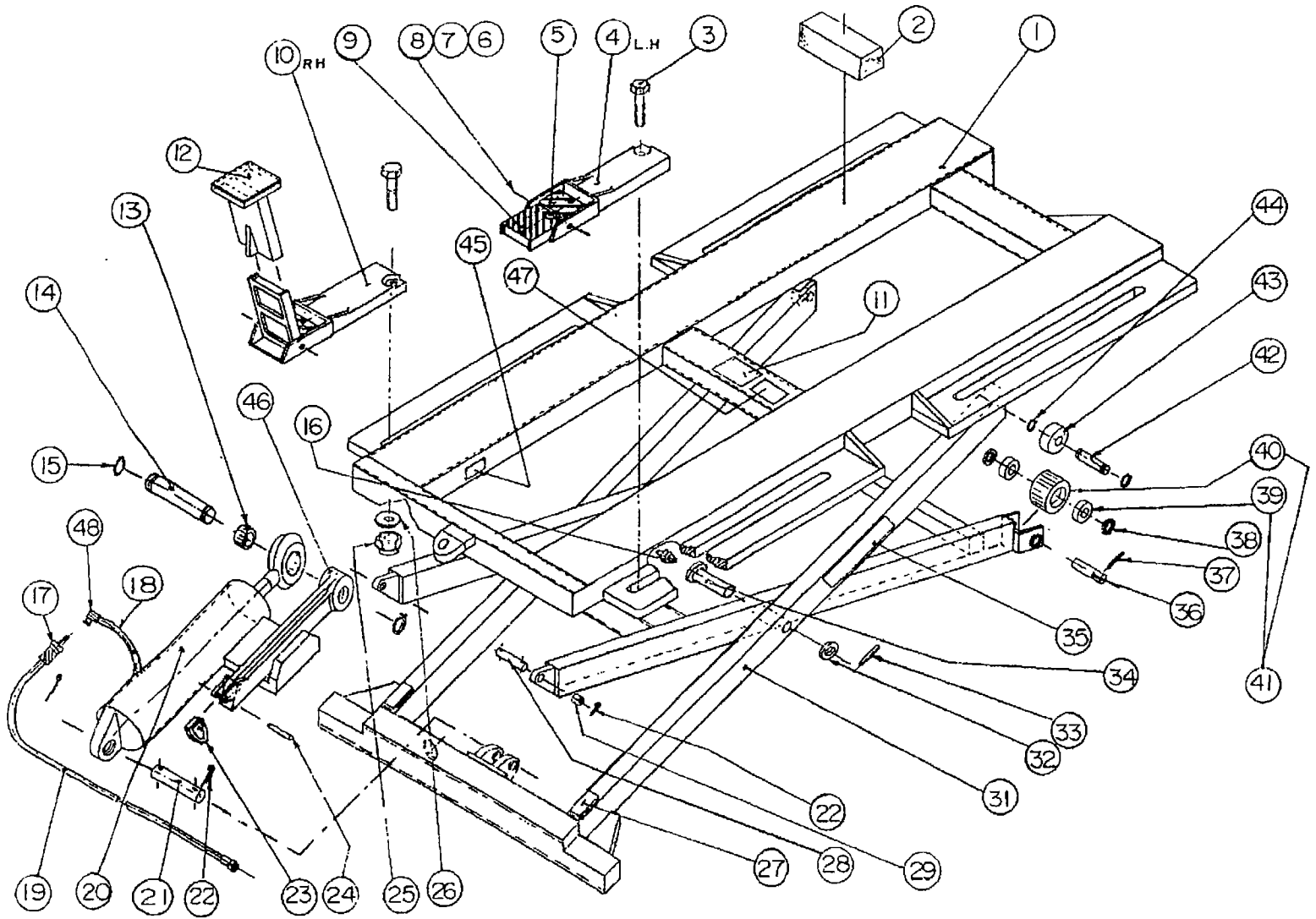
**MID RISE**  
MODEL  
AC6000E / AC6000A  
6,000 LB. CAPACITY

**READ and SAVE THIS  
INSTRUCTION MANUAL**

MAR 1999 6-2218



P.O. Box 15540 Richmond, VA 2327  
804-798-8922  
[www.accu-turn.com](http://www.accu-turn.com) 1-800-551-2228

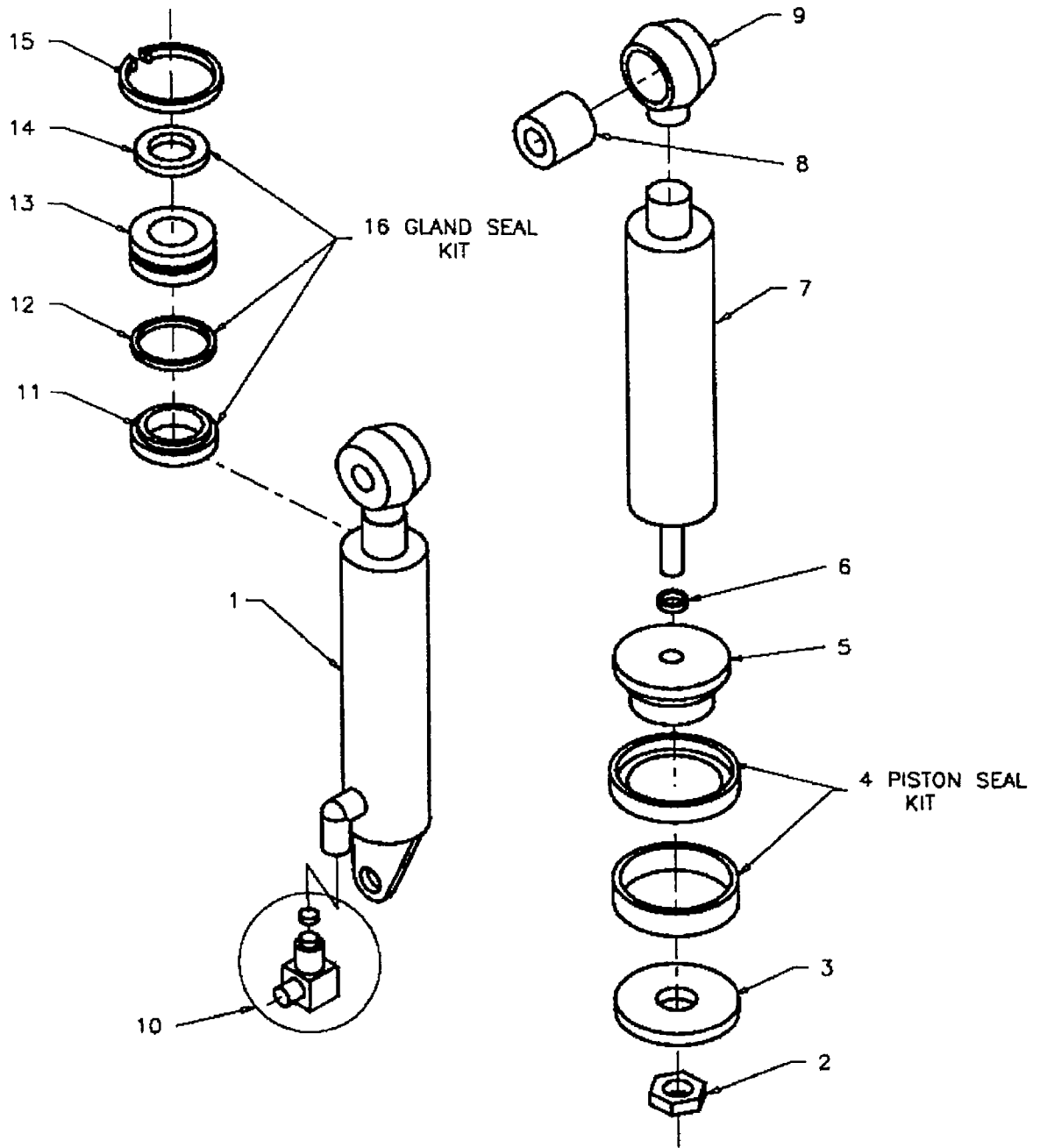


MID-RISE MAIN FRAME ASSEMBLY

## MID-RISE MAIN FRAME ASSEMBLY - PARTS LIST

ITEM NO.	QTY.	DESCRIPTION	PART NO.
1	1	TOP RAMP ASSEMBLY	4-0200
2	4	RUBBER BLOCK	6-1074
3	4	ARM BOLT	1-1076
4	2	ARM ASSEMBLY L.H.	2-0835
5	4	LOW ADAPTER	2-0532
6	4	CENTER PIN	1-0841
7	4	FLAT WASHER 1/2" I.D.	6-0063
8	4	COTTER PIN 1/8" X 1" LG.	6-0267
9	4	HIGH STEP ADAPTER	3-0342
10	2	ARM ASSEMBLY R.H.	2-0834
11	1	SERIAL PLATE	6-0763
12	2	TRUCK PAD ADAPTER (OPTIONAL)	2-0603
13	1	BUSHING	6-0976
14	1	SHAFT CYLINDER MOUNT	1-0814
15	2	CIRCLIP	6-0340
16	3	GREASE NIPPLE	6-0000
17	1	QUICK CONNECTOR SET	6-0761
18	1	HYDRAULIC HOSE 19" LG.	1-0858
19	1	HYDRAULIC HOSE 12 FT LG.	2-0602
20	1	HYDRAULIC CYLINDER ASSEMBLY	4-0199
21	1	CYLINDER PIN	1-0861
22	6	COTTER PIN 1/8"-1 1/2" LG.	6-0978
23	1	OVERRIDE SAFETY CAM	2-0819
24	1	SPRING PIN 1/4" X 1 1/2" LG.	6-0745
25	4	UNI-TORQUE LOCK NUT 1"-8UNC	1-1385
26	4	FLAT WASHER 1" I.D.	6-1106
27	4	NEOPRENE STRIP	6-0993
28	2	HINGE PIN	1-0857
29	2	BUSHING	6-0795
31	1	SCISSOR ASSEMBLY	4-0203
32	2	KEEPER WASHER	1-0725
33	2	SPRING PIN 3/16" X 2" LG.	6-0146
34	2	SCISSOR PIN	1-0838
35	1	DECAL	6-0762
36	2	PIN	1-0837
37	2	SPRING PIN 3/16" X 1 1/4" LG.	6-0749
38	4	WASHER 7/8" I.D.	6-0725
39	4	BEARING	6-0751
40	2	ROLLER	1-0807
41	1	ROLLER ASSEMBLY KIT	0-0191
42	2	TRACK ROLLER SHAFT	1-0823
43	2	TRACK ROLLER (UPPER)	6-0750
44	4	CIRCLIP	6-0752
45	1	ALI PLATE	6-0398
46	1	SAFETY LOCK MECHANISM	3-0352
47	1	ETL/ALI STICKER	6-0996
48	1	90° ELBOW 3/8" NPT M. x 3/8" NPT F.	6-1380

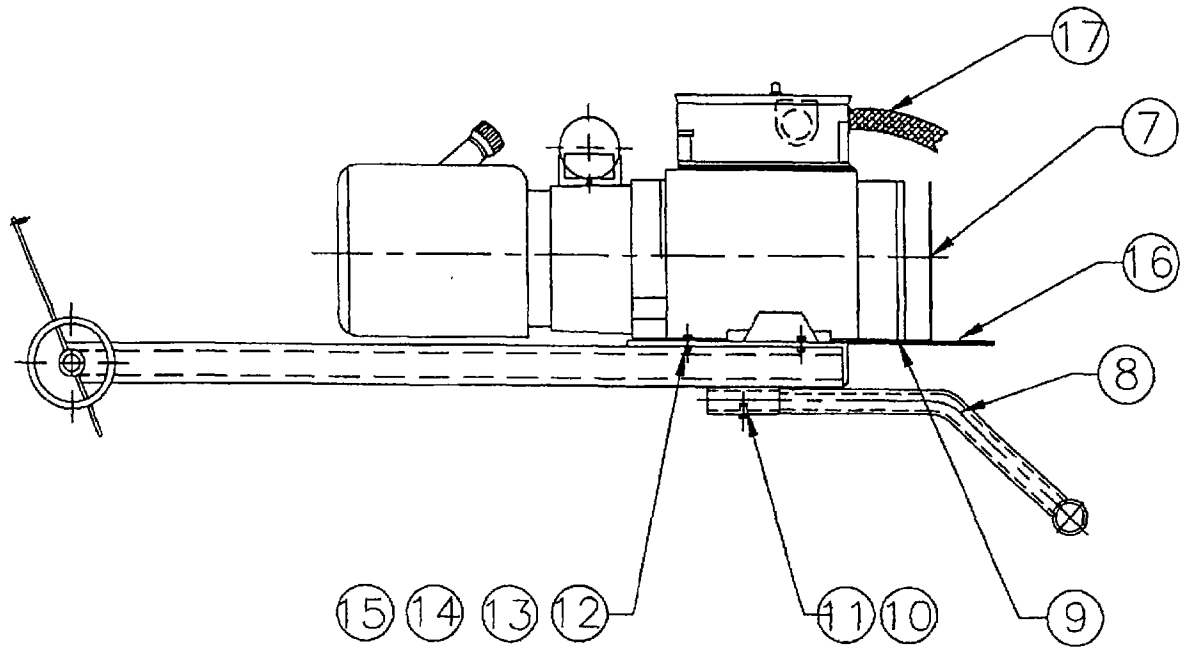
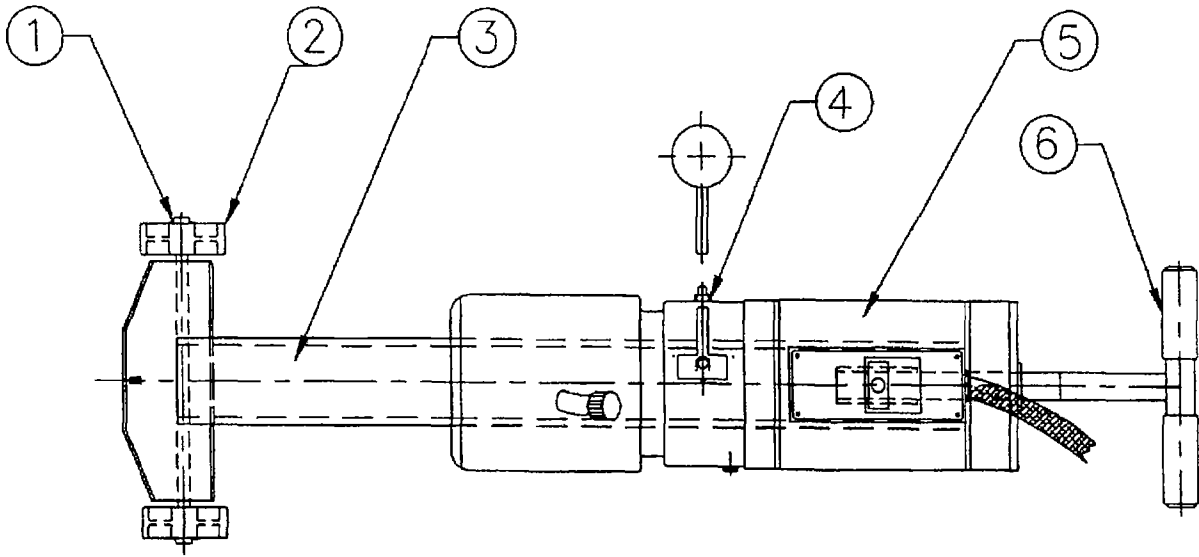
# HYDRAULIC CYLINDER ASSEMBLY



## HYDRAULIC CYLINDER ASSEMBLY - PARTS LIST

ITEM NO.	QTY.	DESCRIPTION	PART NO.
1	1	CYLINDER TUBE WELDMENT	3-0350
2	1	7/8"-9UNC HEX LOCKNUT	6-0631
3	1	WASHER, 7/8" I.D.	1-0809
4	1	PISTON SEAL KIT	0-0181
5	1	PISTON	2-0586
6	1	"O" RING	6-0656
7	1	PISTON ROD	2-0832
8	1	BEARING	6-0976
9	1	ROD CLEVIS	2-0833
10	1	90° VELOCITY FUSE ASS'Y	1-1726
11	1	ROD SEAL	6-0754
12	1	"O" RING	6-0756
13	1	GLAND	2-0587
14	1	WIPER	6-0001
15	1	CIRCLIP	6-0755
16	1	GLAND SEAL KIT	0-0183

# POWER PACK TOW CART

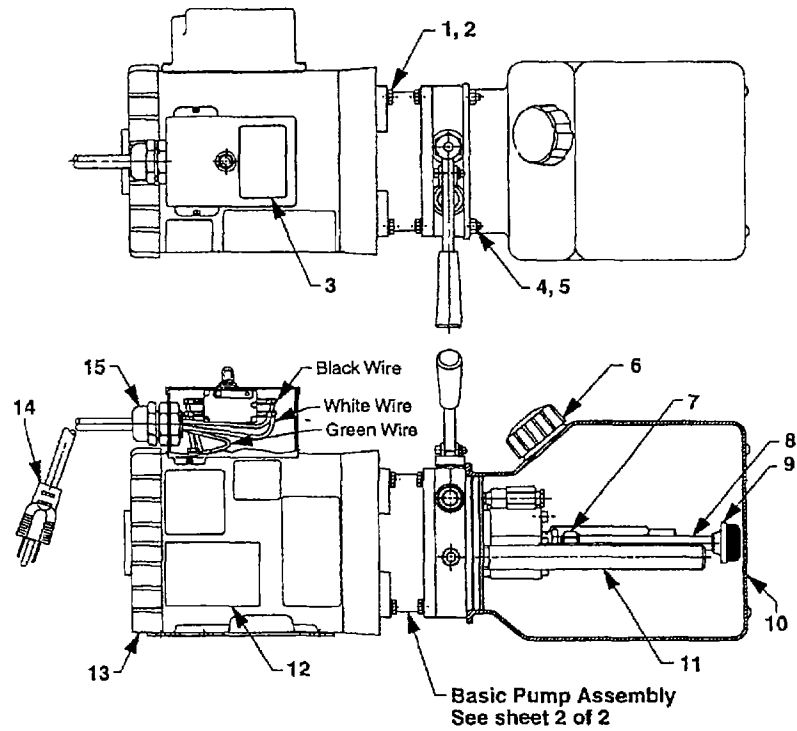


## POWER PACK TOW CART - PARTS LIST

ITEM NO.	QTY.	DESCRIPTION	PART NO.
1	2	HUB CAP NUT	6-1833
2	2	WHEEL	6-0753
3	1	STAND WELDING	4-0207
4	1	ADAPTER-MACHINED W/ ORIFICES (.035"DIA)	1-1063
5	1	POWER PACK 115/230V 1PH 60HZ 3/4 HP*	6-1662
6	2	GRIP HANDLE	6-0758
7	1	DECAL "OPERATING INSTRUCTIONS"	6-0759
8	1	"T" HANDLE	3-0408
9	1	BRACKET	1-0853
10	1	HEX BOLT 1/4"-20UNC X 3/4" LG.	6-0178
11	1	LOCKWASHER 1/4" I.D.	6-0056
12	4	HEX BOLT 5/16"-18UNC X 3/4" LG.	6-0423
13	4	LOCKWASHER 5/16" I.D.	6-0674
14	4	FLAT WASHER 5/16" I.D.	6-0295
15	4	HEX NUT 5/16"-18UNC	6-0294
16	1	ALI PLACARD	6-0990
17	1	PLUG	6-1711
*	1	COMPLETE TOWCART W/ ELECTRIC POWER PACK	4-0206
**	1	COMPLETE TOWCART ASS'Y	4-0644

-SEE NEXT PAGE FOR THE POWER PACK ASSEMBLY

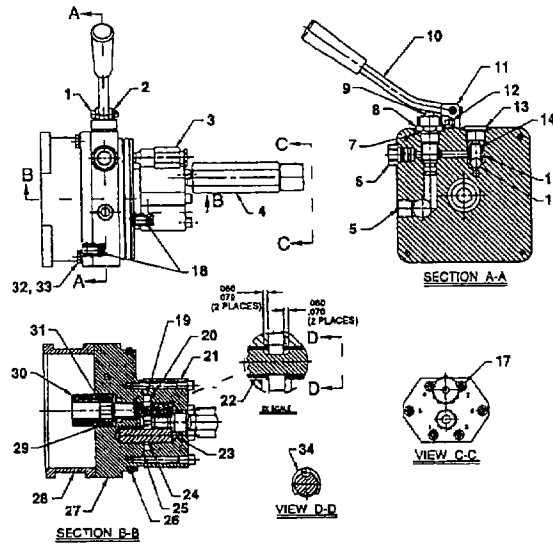
## POWER PACK



## POWER PACK - PARTS LIST

ITEM NO.	QTY.	DESCRIPTION	PART NO.
1	4	CAP SCREW (3/8"-16 x 7/8" LG.)	6-1698
2	4	LOCKWASHER	6-1699
3	1	CONTROLS DECAL	6-1700
4	4	HEX NUT (1/4-20)	6-1701
5	4	STUD	6-1702
6	1	FILLER BREATHER CAP	6-1703
7	1	STRAIGHT FITTING	6-1704
8	1	INTAKE TUBE	6-1705
9	1	SUCTION STRAINER	6-1706
10	1	ONE GALLON RESERVOIR	6-1707
11	1	DRAIN TUBE	6-1708
12	1	WARNING DECAL	6-1709
13	1	ELECTRIC MOTOR (115/230 V, 60/50 Hz.)	6-1710
14	1	CORD (8' LG; 115 V 14/3 SJO)	6-1711
15	1	STRAIN RELIEF BUSHING	6-1712

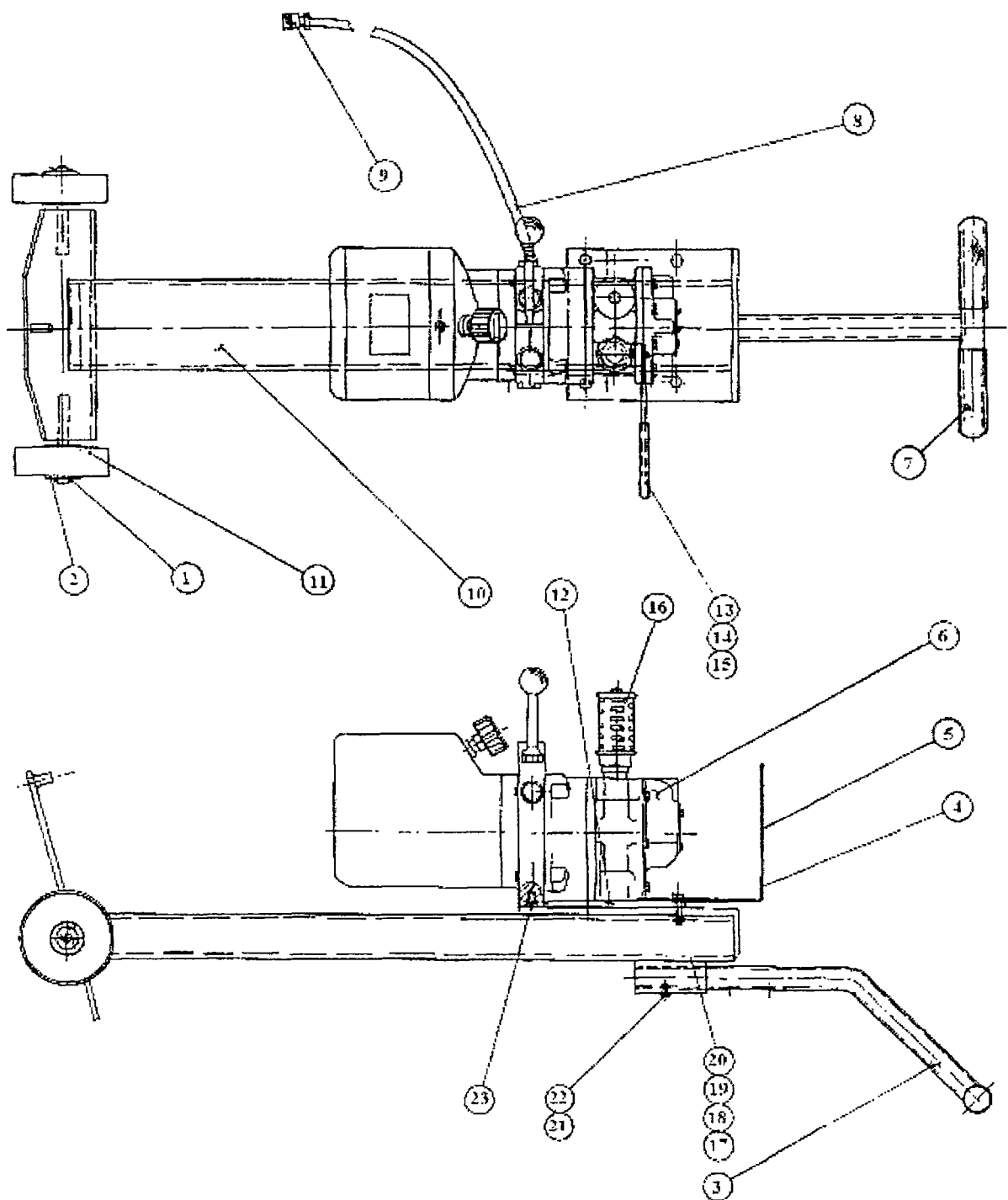
## PUMP ASSEMBLY



### PUMP ASSEMBLY - PARTS LIST

ITEM NO.	QTY.	DESCRIPTION	PART NO.
1	1	CAP SCREW (10-24 x 7/8" LG.)	6-1713
2	1	HEX LOCKNUT (10-24)	6-1714
3	1	RELIEF VALVE ASSEMBLY (SET AT 3,300/3,700 PSI)	6-1715
4	1	SOFT START VALVE	6-1716
5	1	PLUG FITTING (3/8 NPT-F)	6-1717
6	1	PLUG FITTING (9/16-18 PLASTIC)	6-1718
7	1	O-RING (0.81 x 0.64)	6-1719
8	1	RELEASE VALVE CAP	6-1720
9	1	RELEASE VALVE	6-1721
10	1	HANDLE (INCLUDES KNOBS)	6-1722
11	1	MOUNTING BRACKET	6-1723
12	1	CAP SCREW (10-32 x 3/8 LG.)	6-1724
13	1	PLUG FITTING (1/2 TUBE)	6-1725
14	1	COMPRESSION SPRING (0.37 O.D. x 0.75 x 0.03 WS)	6-1726
15	1	SPRING GUIDE	6-1727
16	1	STEEL BALL (3/8" DIA)	6-1728
17	6	CAP SCREW (1/4-20 x 2 1/4 LG.)	6-1729
18	4	DOWEL PIN	6-1730
19	2	GEAR	6-1731
20	1	KEY	6-1732
21	1	BODY	6-1733
22	4	SLEEVE BEARING	6-1734
23	2	STEEL BALL (3/16 DIA.)	6-1735
24	1	SHAFT	6-1736
25	1	O-RING (2.250" x 2.062)	6-1737
26	1	O-RING (4.750" x 4.375")	6-1738
27	1	VALVE BODY	6-1739
28	1	MOTOR BASE ADAPTER	6-1740
29	1	OIL SHAFT SEAL	6-1741
30	1	COUPLING	6-1742
31	1	SHAFT	6-1743
32	4	CAP SCREW (1/4-20 x 3/4 LG.)	6-1744
33	4	PLAIN WASHER	6-1745
34	2	EXTERNAL RETAINING RING	6-1746

# AIR POWER PACK TOW CART



## AIR POWER PACK TOW CART - PARTS LIST

ITEM NO.	QTY	DESCRIPTION	PART NO.
1	2	1/2" PUSHNUT	6-1833
3	1	"T" HANDLE	3-0408
4	1	BRACKET	1-0853
5	1	DECAL "OPERATING INSTRUCTIONS"	6-0759
6	1	AIR HYDRAULIC PUMP "AC-10TC UTILIZING VA-4S VENE AIR MOTOR"	6-0919
7	2	GRIP HANDLE	6-0758
8	1	HYDRAULIC HOSE - 12FT.	2-0602
9	1	QUICK CONNECTOR SET	6-0761
10	1	STAND	4-0207
11	2	WHEEL	6-0753
12	1	MOTOR MOUNT BRACKET	2-0739
13	1	BALL VALVE	6-0940
14	1	3/8" STEEL NIPPLE	6-0953
15	1	REDUCER 3/4" M PIPE/ 3/8" F PIPE	6-0285
16	1	EXHAUST MUFFLER	6-0958
17	4	LOCKWASHER 5/16" I.D.	6-0674
18	4	HEX BOLT 5/16"-18UNC X 3/4" LG.	6-0423
19	4	FLAT WASHER 5/16" I.D.	6-0295
20	2	HEX. NUT 5/16"-18UNC	6-0294
21	1	HEX BOLT 1/4"-20UNC X 3/4" LG.	6-0178
22	1	LOCKWASHER 1/4" I.D.	6-0056
23	1	FLAT HD. SCREW - 3/8" - 16 x 1/2" LG.	6-0955
*	1	COMPLETE TOWCART W/ AIR POWER PACK	4-0274
**	1	COMPLETE TOWCART ASS'Y	4-0645