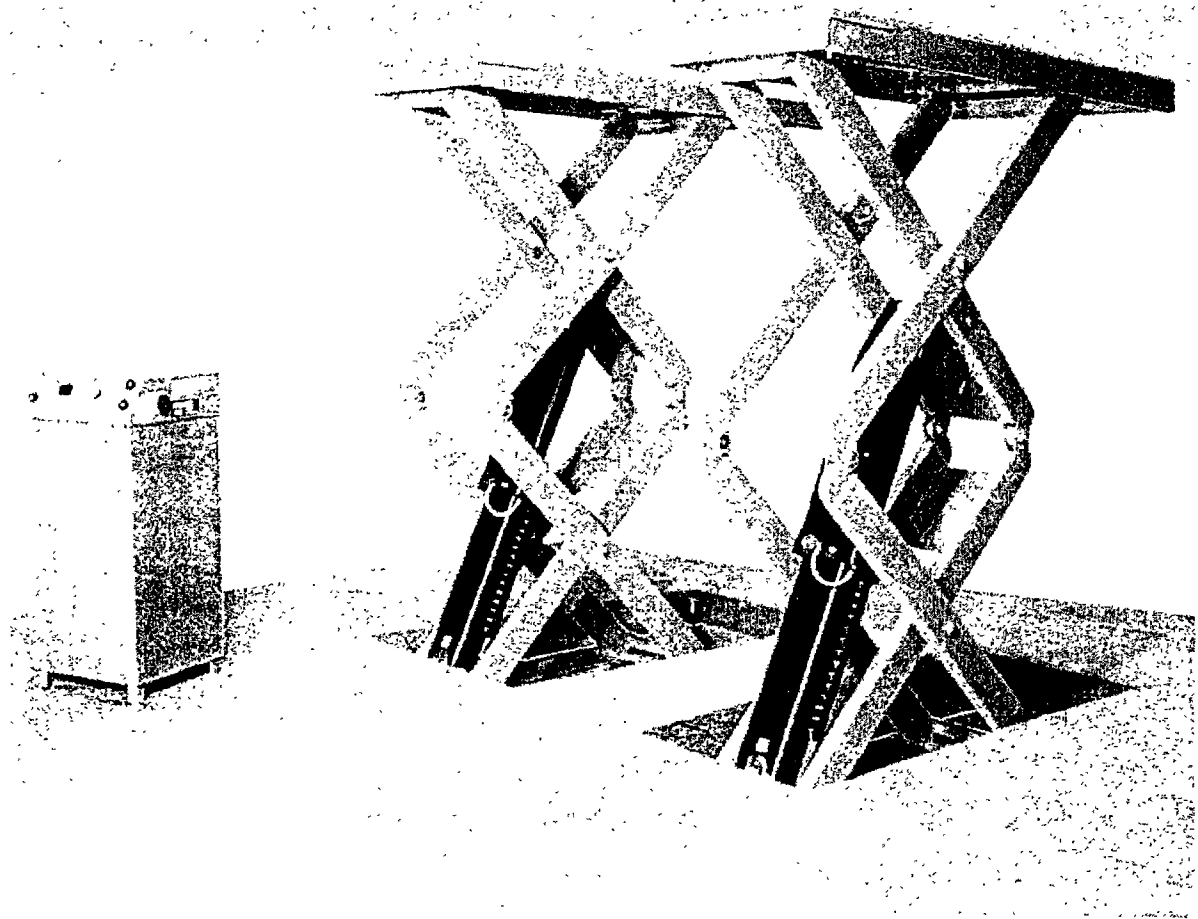




MODEL # AC35196FM



PARTS MANUAL

SAVE THESE INSTRUCTIONS

READ ALL INSTRUCTIONS

BEFORE USING LIFT

MAR 2000 6-2220

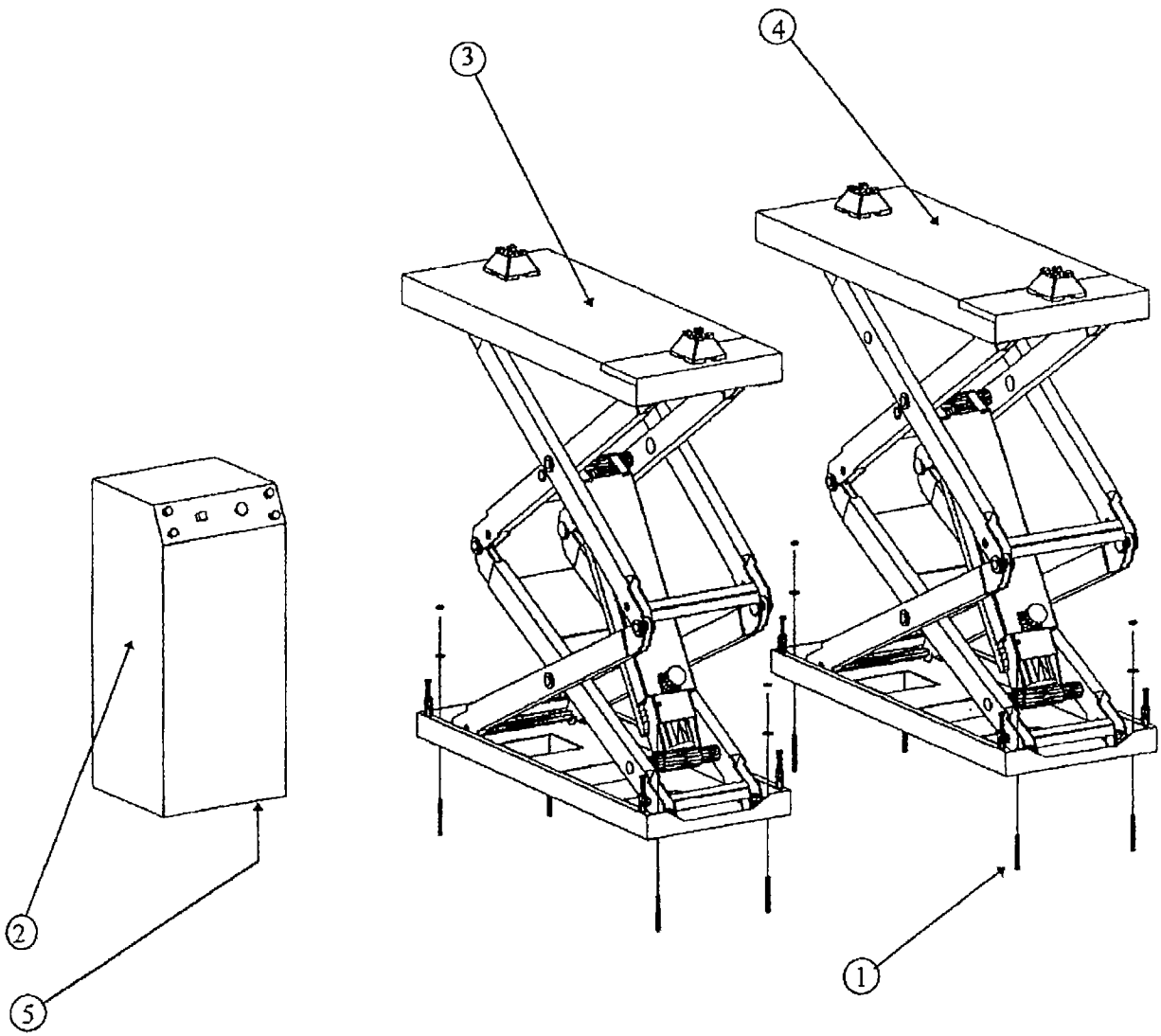


Accu International, Inc.

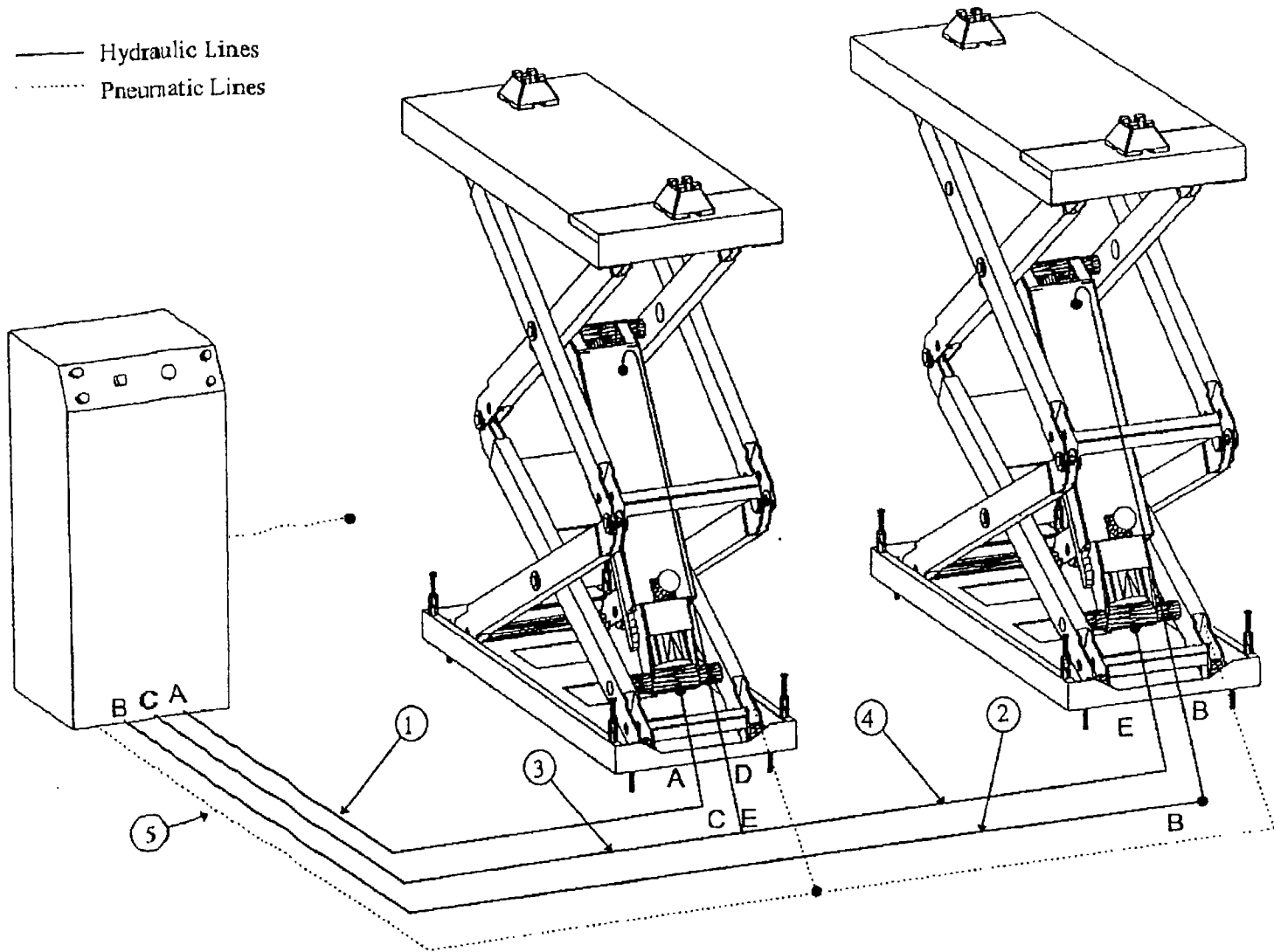
P.O. Box 15540 Richmond, VA 2327
804-798-8922

www.accu-turn.com 1-800-551-2228

12.1 LIFT ASSEMBLY PARTS LIST



— Hydraulic Lines
..... Pneumatic Lines



12.2 HYDRAULIC/AIR DIAGRAM

12.3 PARTS LIST

LIFT ASSEMBLY PARTS LIST

Item #	Qty.	Description	Part #
1	8	Wedge Anchor, 1/2" x 4 1/2" (c/w nuts & washers)	6-0140
2	1	Control Desk	4-0608
3	1	Left Side Deck Ass'y	4-0606
4	1	Right Side Deck Ass'y	4-0607
5	4	Wedge Anchor 3/8" x 2 1/2" (c/w nuts & washers)	6-1571

HYDRAULIC/AIR PARTS LIST

Item #	Qty.	Description	Part #
1	1	Hydraulic Hose "A"	2-1264
2	1	Hydraulic Hose "B"	2-1265
3	1	Hydraulic Hose "C"	2-1266
4	1	Hydraulic Hose "E"	2-1267
5	1	Pneumatic Line	6-1569