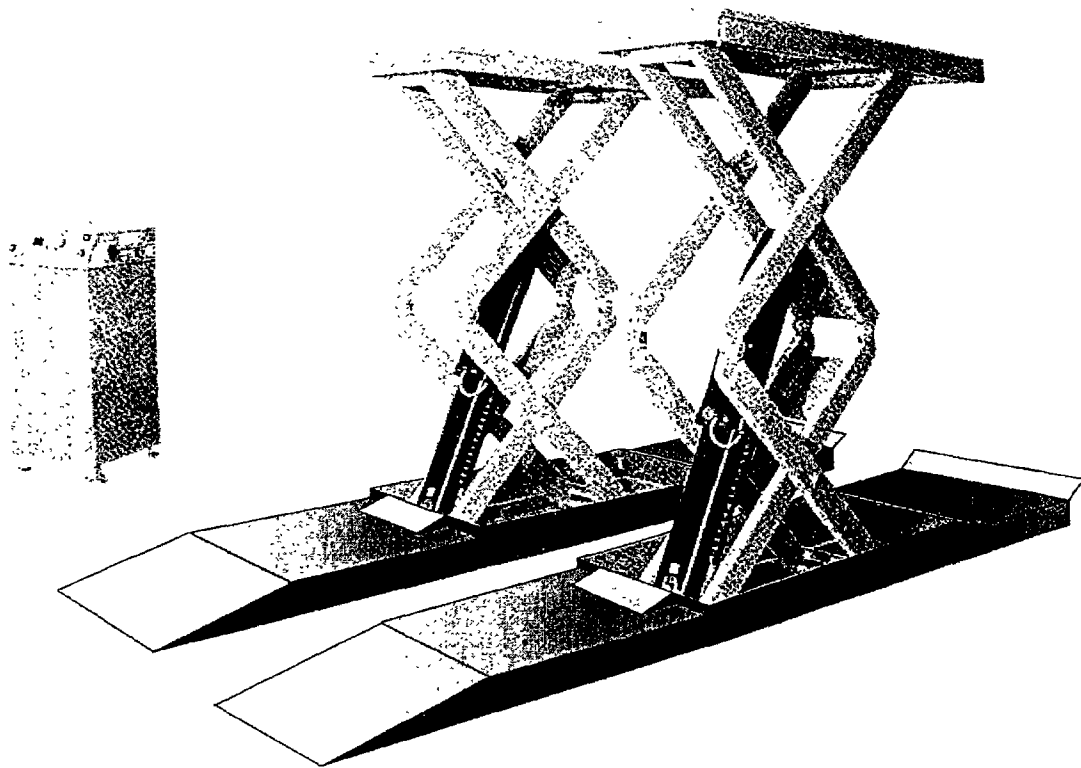


# MODEL # AC35196



## PARTS MANUAL

SAVE THESE INSTRUCTIONS  
READ ALL INSTRUCTIONS  
BEFORE USING LIFT

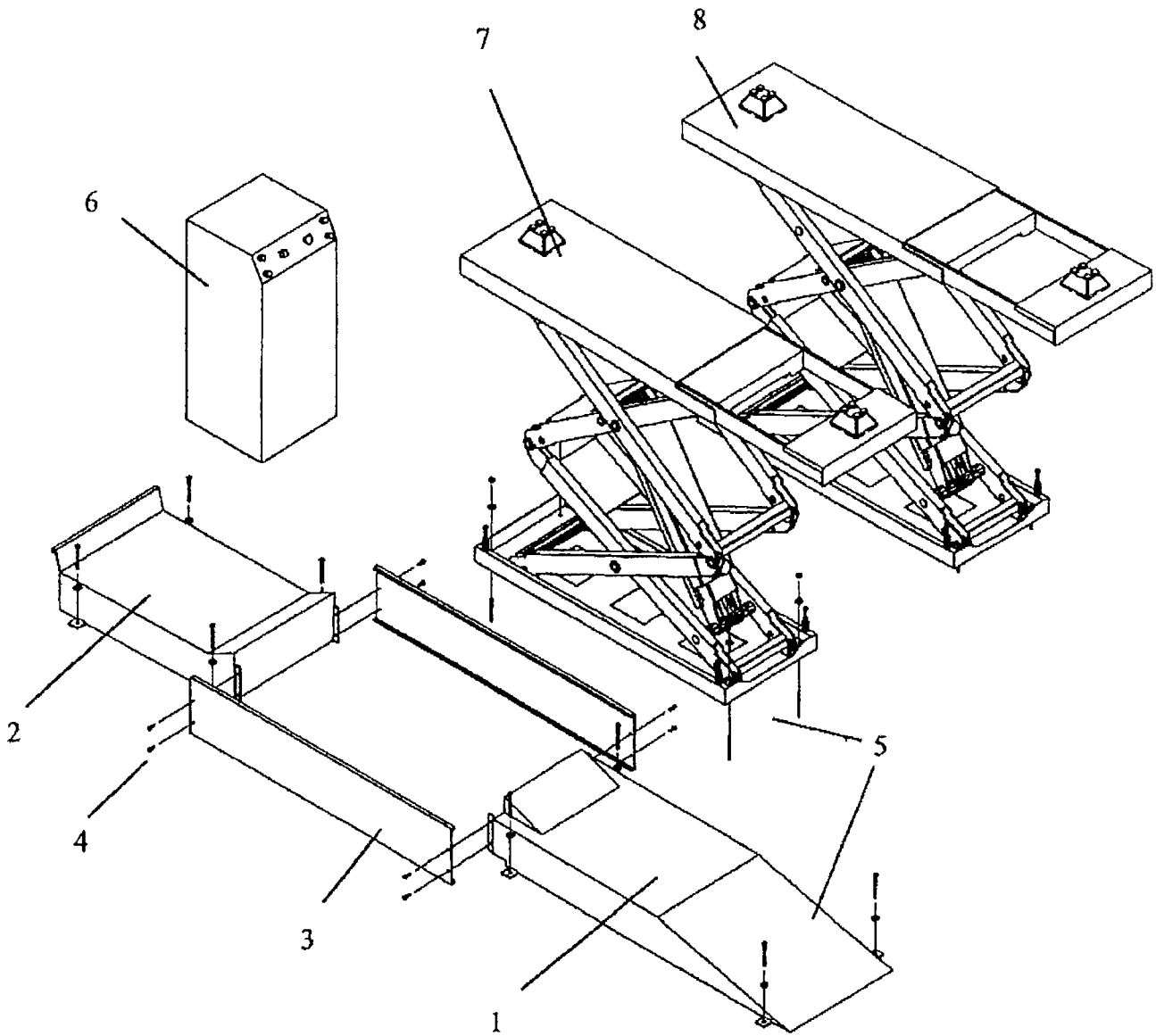
MAR 2000      6-2219



**Accu-Turn International, Inc.**

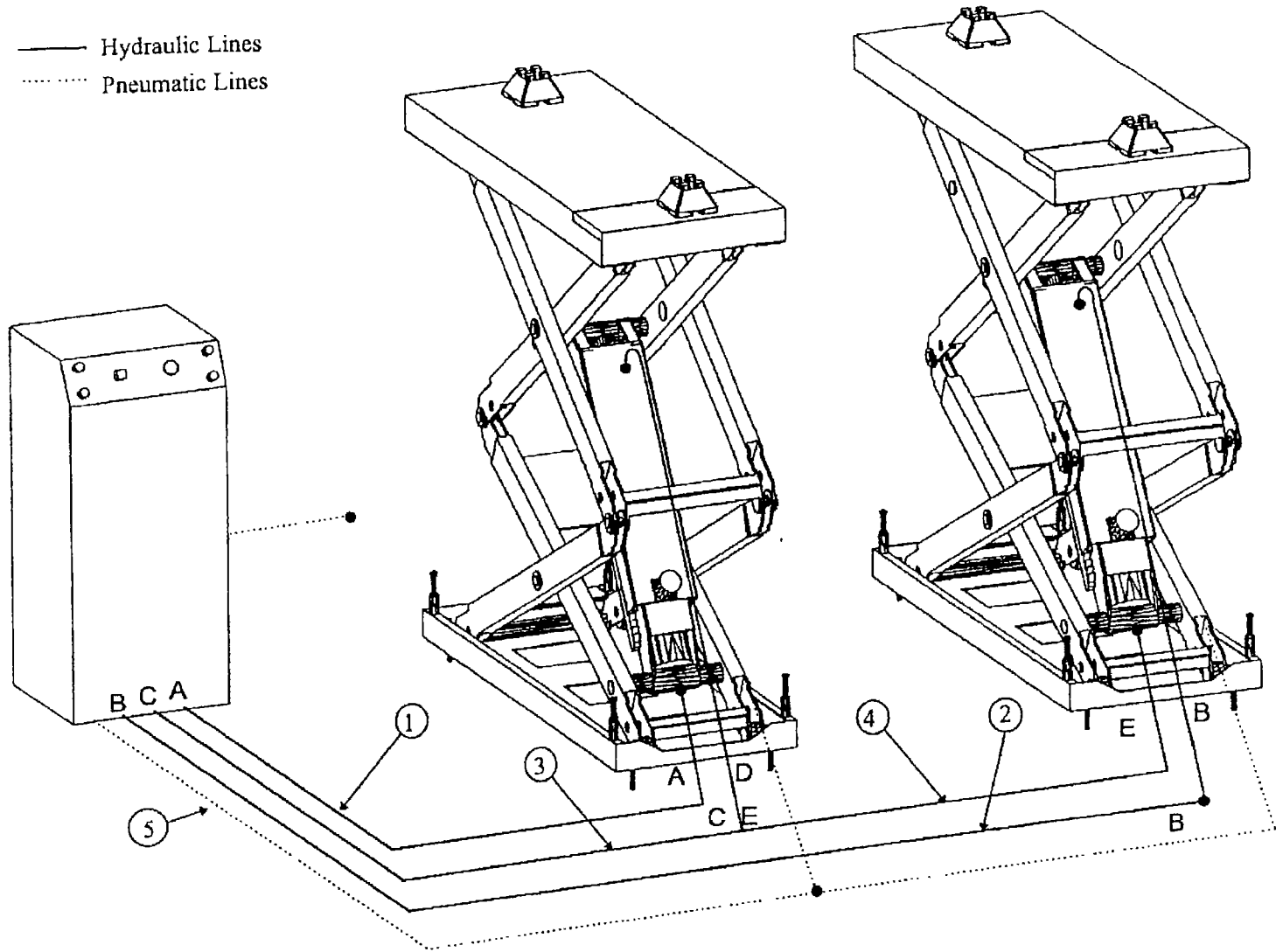
P.O. Box 15540 Richmond, VA 2327  
804-798-8922

[www.accu-turn.com](http://www.accu-turn.com) 1-800-551-2228



12.1 LIFT ASSEMBLY PARTS LIST

— Hydraulic Lines  
..... Pneumatic Lines



27

12.2 HYDRAULIC/AIR DIAGRAM

### 12.3 PARTS LIST

#### LIFT ASSEMBLY PARTS LIST

Item #	Qty.	Description	Part #
1	2	Approach Ramps	2-1260
2	2	Front Wheel Stops	2-1261
3	4	Side Panel	2-1262
4	16	1/4"-20 x 5/8" Round Hd. Mach. Screw	6-0335
	16	1/4" Lockwasher	6-0056
	16	1/4" Hex Nut	6-0032
5	8	Wedge Anchor, 1/2" x 4 1/2" (c/w nuts & washers)	6-0140
6	1	Control Desk	4-0608
7	1	Left Side Deck Ass'y	4-0606
8	1	Right Side Deck Ass'y	4-0607
9	4	Wedge Anchor, 3/8" x 2 1/2" (c/w nuts & washers)	6-1571

#### HYDRAULIC/AIR PARTS LIST

Item #	Qty.	Description	Part #
1	1	Hydraulic Hose "A"	2-1264
2	1	Hydraulic Hose "B"	2-1265
3	1	Hydraulic Hose "C"	2-1266
4	1	Hydraulic Hose "E"	2-1267
5	1	Pneumatic Line	6-1569