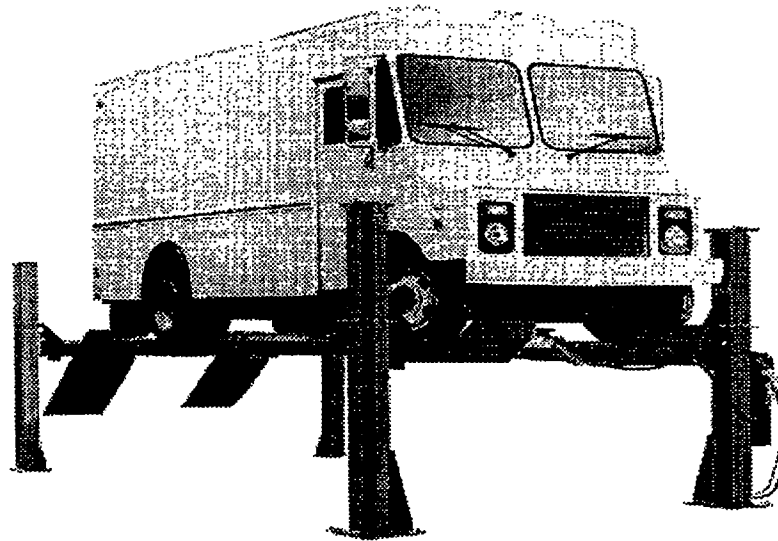


EXPLODED VIEWS AND PARTS LISTS



**4-POST
MODEL AC12407XT/
AC407AFXM**

12000 LB. (5443KG.)

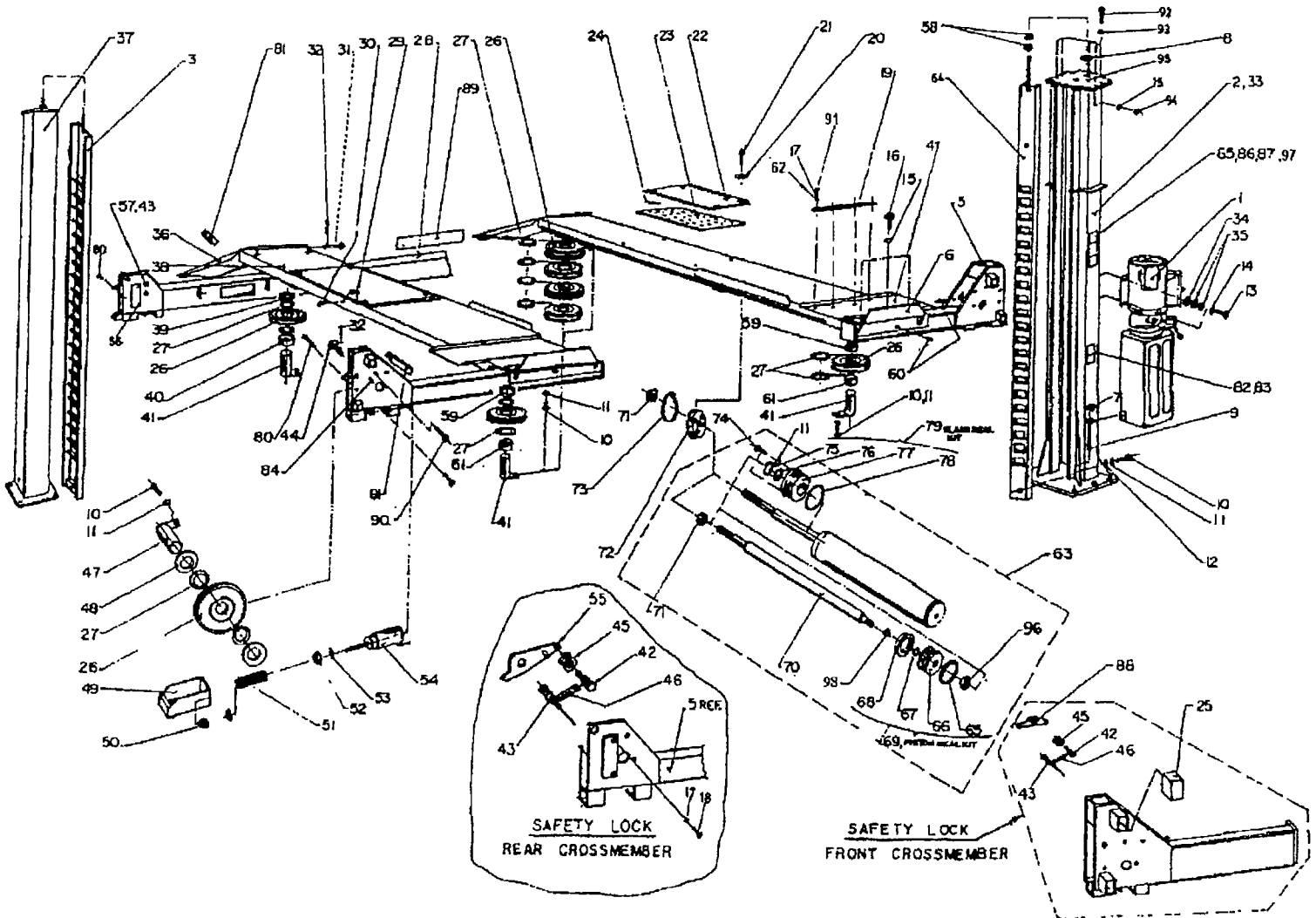
**READ and SAVE THIS
INSTRUCTION MANUAL**



P.O. Box 15540 Richmond, VA 23227
804-798-8922
www.accu-turn.com 1-800-551-2228

MAR. 2000 6-2212

7.1 LIFT ASSEMBLY



7.2 PARTS LIST

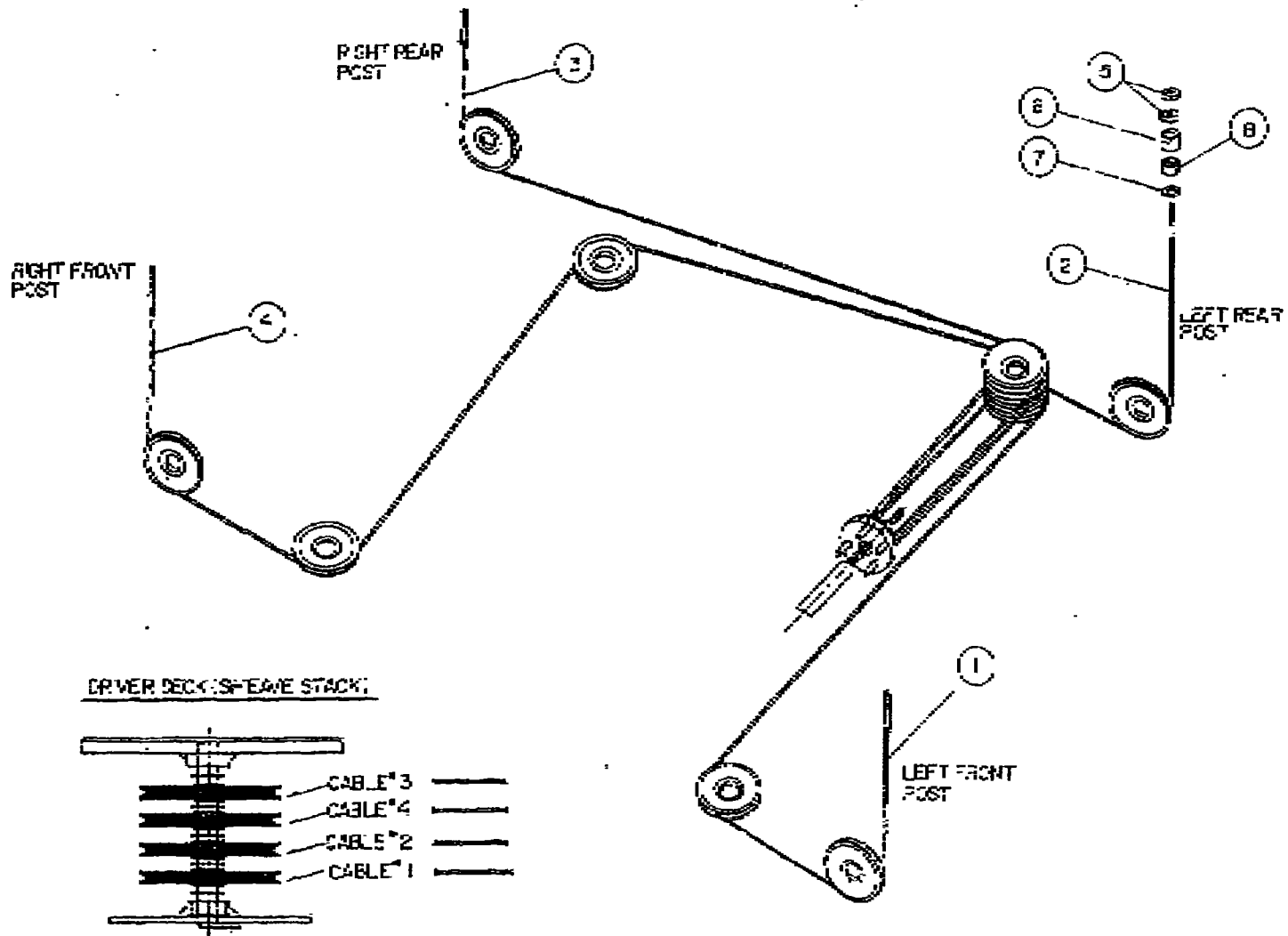
ITEM	QTY.	DESCRIPTION	PART #
1	1	POWER PACK, 230V/1PH//60HZ.	6-1936
2	1	POWER POST WELDING (L.S.)	4-0429
3	2	SAFETY RACK WELDMENT (REAR)	3-0487
4	1	ALIGNMENT DECK WELDMENT (LEFT SIDE)	4-0679
5	1	FRONT CROSSMEMBER WELDMENT (LEFT SIDE)	4-0366
6	2	FRONT WHEEL STOP WELDMENT	2-0998
7	22	HEX NUT, 3/4"-10UNC	6-0737
8	26	FLAT WASHER, 3/4" I.D.	6-0738
9	22	WEDGE ANCHOR, 3/4"-10UNC X 5 1/2"LG.	6-1379
10	14	HEX HD. BOLT, 3/8"-16UNC X 1"LG. GR.8	6-0668
11	16	LOCKWASHER, 3/8" I.D.	6-0058
12	6	FLAT WASHER, 3/8" I.D.	6-0062
13	4	HEX HD. BOLT, 5/16"-18UNC X 1"LG.	6-0293
14	4	LOCKWASHER, 5/16" I.D.	6-0674
15	16	LOCKWASHER, 1/2" I.D.	6-0059
16	6	HEX HD. BOLT, 1/2"-13UNC X 1"LG.	6-0045
17	24	LOCKWASHER, 1/4" I.D.	6-0056
18	8	HEX HD. BOLT, 1/4"-20UNC X 3/4"LG.	6-0178
19	4	RETAINING BAR	2-1391
20	8	FLAT WASHER 2"O.D X 13/32I.D. X 3/32	6-0426
21	8	SHOULDER BOLT 3/8" X 5/8"LG.	6-0069
22	2	REAR SLIP PLATE (FULL FLOATING)	3-0197
23	2	BEARING CAGE	3-0196
24	1 SET	1/4" BALL BEARING	6-0829
25	8	GLIDE BEARING	2-0772
26	11	SHEAVE ASSEMBLY	2-0557
27	21	NYLON THRUST WASHER	1-0757
28	1	REAR CROSSMEMBER (WELDING)	4-0371
29	4	LOCKING PIN ASSEMBLY	2-0637
30	4	SELF TAP SCREW #10 X 1/2"LG.	6-0505
31	2	RAMP PIN WELDMENT	1-0095
32	6	COTTER PIN, 1/8" X 2" LG.	6-0115
33	1	POST WELDING (FRONT - R.S)	4-0430
34	4	HEX NUT, 5/16UNC GR.5	6-0294
35	8	FLAT WASHER, 5/16" I.D.	6-0295
36	2	APPROACH RAMP	3-0285
37	2	REAR POST WELDING	3-0514
38	1	ALIGNMENT DECK WELDMENT, (RIGHT SIDE)	4-0680
39	1	SHEAVE-SPACER 2 1/2"LG.	1-0798
40	1	SHEAVE-SPACER 1 1/4"LG.	1-0788
41	4	DECK SHEAVE PIN	2-1008
42	4	SHOULDER BOLT 3/8"DIA. X 1 1/2"LG.	6-0801
43	8	SHOULDER BOLT 3/8" DIA. X 3/4"LG.	6-0729
44	4	LOCK SAFETY PIN (WELDING)	1-1234
45	4	CABLE ROLLER	1-0766
46	4	TENSION SPRING	1-0768
47	4	CROSSMEMBER SHEAVE PIN	1-1237
48	8	SHEAVE SPACER, 3/8" LG	1-0768

ITEM	QTY.	DESCRIPTION	PART #
49	4	SAFETY SHOE WELDMENT	2-0990
50	4	HEX. NYLON LOCKNUT, 1/4"-28UNF	6-1563
51	4	COMPRESSION SPRING	1-0767
52	4	HEX. NUT, 5/8"-18UNF	6-0662
53	4	INTERNAL TOOTH LOCKWASHER, 5/8" I.D.	6-0663
54	4	AIR CYLINDER (CLIPPARD #SRR-12-2-SP; 5 1/2" ROD EXT.)	6-0651
55	1	LOCK-SAFETY LS	2-0567
	1	LOCK SAFETY RS	2-1475
56	4	PLASTIC BRACKET	1-0775
57	4	PLASTIC GUIDE	1-0776
58	8	HEX NUT, 5/8"-11UNC, GR.8	6-0673
59	2	SHEAVE-SPACER 1 3/4"LG.	1-0799
60	8	SET SCREW, 1/2"-13UNC X 1" LG. GR.8	6-0726
61	2	SHEAVE-SPACER 2 "LG.	1-0943
62	16	FLAT WASHER, 1/4"ID X 3/4"OD, PLATED	6-0060
63	1	HYDRAULIC CYLINDER 3.5"	4-0187
64	2	SAFETY RACK WELDMENT	3-0581
65	1	WEAR RING 3/8" WIDE X 1/8"THK. X 3 1/2"O.D.	6-0004
66	1	PISTON	2-0564
67	1	"O" RING 1 1/8"O.D. X 1/8" C/S	6-0656
68	1	PISTON SEAL 3 1/2"O.D. X 3" I.D. X 3/8"	6-0003
69	1	PISTON SEAL KIT	0-0169
70	1	PISTON ROD (MACHINED)	2-0565
71	2	HEX NUT 1"-14UNF-2A	6-0664
72	1	CABLE FLANGE	2-0561
73	1	HOSE CLAMP 4 1/2"DIA.	6-0665
74	2	HEX. BOLT 3/8"-16UNC-1 1/4"LG. GR.8	6-0666
75	1	ROD WIPER	6-0653
76	1	ROD SEAL	6-0654
77	1	GLAND	3-0348
78	1	"O" RING 3 1/2"O.D. X 1/8" C/S	6-0655
79	1	GLAND SEAL KIT	0-0170
80	4	HEX HD. BOLT 3/8"-16UNC X 3"LG.	6-1386
81	4	SHEAVE COVER	2-0997
82	1	SERIAL TAG	6-1115
83	1	"ALI" PLATE	6-0988
84	1	FRONT CROSSMEMBER WELDMENT (RIGHT SIDE)	4-0368
85	1	"CAUTION" DECAL	6-0592
86	1	"SAFETY INSTRUCTIONS" DECAL	6-0351
87	1	"WARNING" DECAL	6-0595
88	1	LOCK SAFETY LS	2-0980
	1	LOCK SAFETY RS	2-1427
89	1	"CAUTION" TAPE, (40" LG.)	6-1125
90	2	HEX HD. BOLT, 1/2"-13UNC x 3"LG.	6-1381
91	16	HEX HD. BOLT, 1/4"-20UNC x 1 1/4"LG.	6-0027
92	10	HEX HD. BOLT, 1/2"-13UNC x 2"LG.	6-0769
93	10	FLAT WASHER, 1/2" I.D. SAE	6-0248
94	10	HEX NUT, 1/2"-13UNC	6-0035
95	2	TOP PLATE	2-1125
96	1	LOCK NUT, 7/8"-14UNF	6-1160
97	1	"ATTENTION" DECAL	6-1637

7.4 HYDRAULIC AND AIR KITS

ITEM	QTY.	DESCRIPTION	PART#
1	9	90° ELBOW, 1/8"NPT X 1/4"POLY TUBE	6-0709
2	4	AIR CYLINDER	6-0651
3	1	1/4" DIA. POLY TUBE (50' LG.)	6-0706
4	3	ADAPTER, 3/8" POLY TUBE X 1/4"NPT	6-0710
5	2	TERMINAL BOLT, 3/4"	6-0713
6	2	PLUG, 1/4"NPT	6-0282
7	3	1/4" NPT STREET TEE	6-0014
8	1	1/4" NPT STREET ELBOW	6-0015
9	1	3/8" DIA. POLY TUBE (25' LG.)	6-0707
10	1	90° ELBOW, 3/8"JIC M X 9/16"SAE M	6-0804
11	1	HOSE GUARD (4' LG.)	6-0714
12	1	POWER PACK 230V/1 PH/60 HZ.	6-1936
13	1	HYD.HOSE ASS'Y, 3/8"JIC-F, 16FT LG.	6-1692
14	3	CABLE TIE	6-0731
15	1	AIR VALVE & FILTER ASS'Y	2-1394
16	1	ADAPTER, 3/8"NPT M X 3/8"JIC M	6-0345
17	1	FLOW CONTROL	6-0090
18	1	AIR VALVE	6-1775
19	1	90° ELBOW, 1/4"NPT M X 3/8"NPT F	6-0796
20	3	ADAPTER, 1/4" POLY TUBE X 1/8"NPT	6-0708
21	1	AIR VALVE PUSHBUTTON KIT	6-1777
22	1	AIR FILTER	6-0180
23	1	AIR VALVE FITTING KIT	0-0405
24	1	VELOCITY FUSE	6-0025
25	1	PLUG, 1/8" NPT	6-0182
26	2	MANIFOLD	1-1057
27	4	HEX HD.CAP SCREW, 1/4"-20UNC X 2"LG.	6-0177
28	4	HEX NUT, 1/4"-20UNC	6-0032
29	4	LOCKWASHER, 1/4" I.D.	6-0056
30	2	1/4" POLYTUBE ADAPTER	6-0747
32	1	"LIFT OPERATION" DECAL	6-0593
33	1	ADAPTER, 1/8"NPT M X 1/4"JIC M	6-0280
34	1	ADAPTER, 3/8"NPT M X 3/8"JIC F, SWIVEL	6-0797

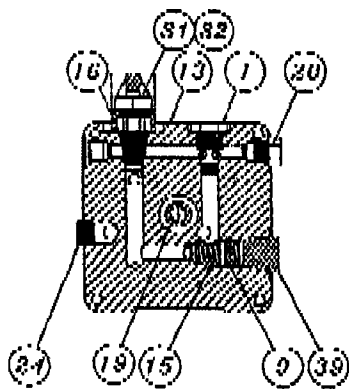
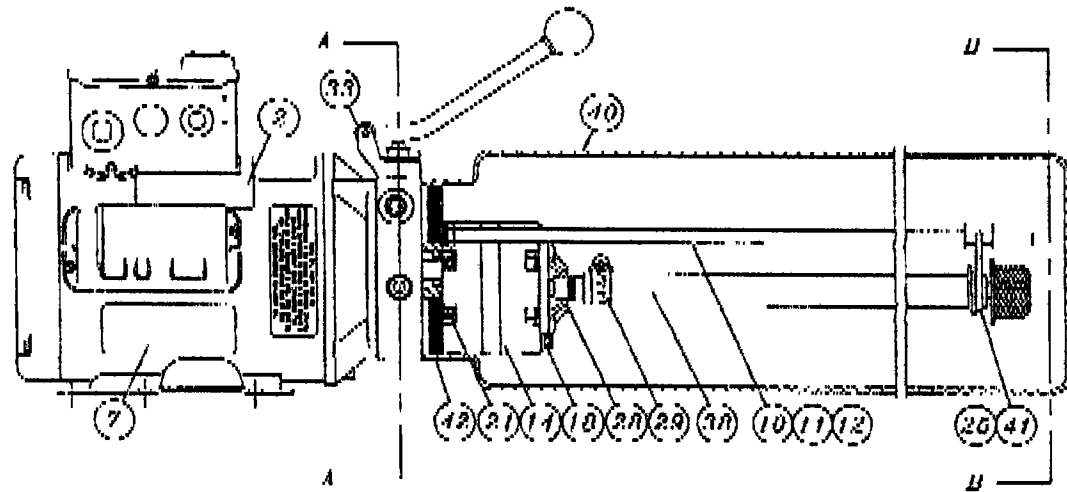
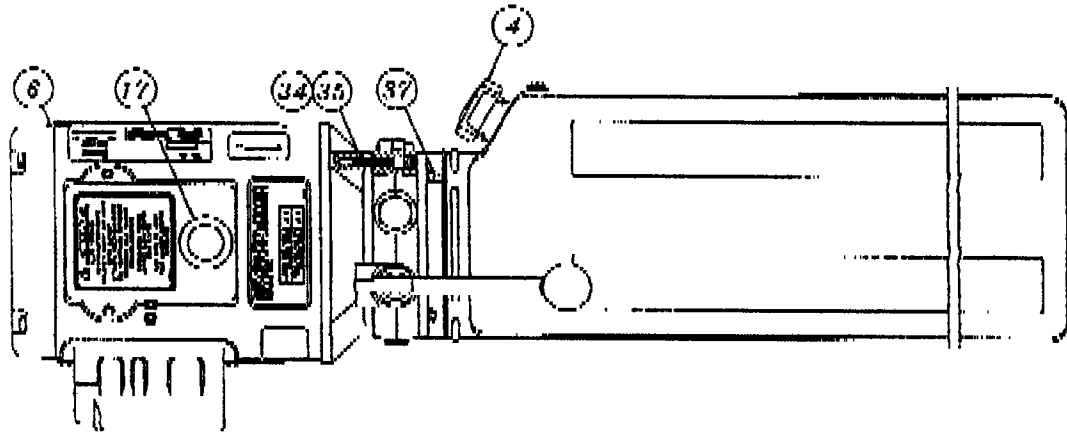
7.5 CABLE ROUTING DIAGRAM



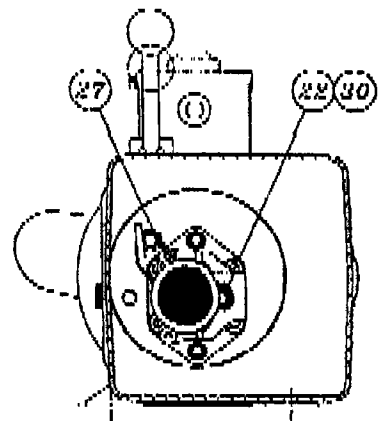
7.6 CABLE ROUTING

ITEM	QTY.	DESCRIPTION	PART#
1	1	CABLE ASSEMBLY, 404.5"LG. (LEFT-FRONT)	2-1504
2	1	CABLE ASSEMBLY, 157.75"LG. (LEFT-REAR)	2-1505
3	1	CABLE ASSEMBLY, 213.75"LG. (RIGHT-REAR)	2-1506
4	1	CABLE ASSEMBLY, 459.5"LG. (RIGHT-FRONT)	2-1507
5	8	HEX NUT, 7/8"-14UNF, GR.8	6-0724
6	4	CABLE SPACER, 2"LG.	1-0800
7	4	FLAT WASHER, 7/8" I.D.	6-0725
8	4	CABLE SPACER, 1"LG.	1-0801

7.7 POWER PACK: #6-1936 (AB-1400) 208-230V/1PH/60Hz



A-A



B-B

7.8 POWER PACK PARTS LIST: #6-1936 (AB-1400) 208-230V/1PH/60Hz

ITEM	QTY.	DESCRIPTION	PART #
1	1	VALVE CARTRIDGE CHECK	6-1087
2	1	LABEL INSTALLATION AUTOHOIST	6-2136
4	1	BREATHER CAP & BLADDER	6-1376
6	1	MOTOR AC 208-230V, 2HP/1PH/60Hz, BLK	6-2139
7	1	LABEL WARNING AUTOHOIST	6-2149
9	1	SPRING 0.480" x 0.063" x 0.42" COMP	6-2151
10	1	RETURN HOSE 3/8" OD x 21.5"	6-2152
11	1	COMPRESSION TUBE NUT	6-2153
12	1	COMPRESSION TUBE SLEEVE	6-2154
13	1	ENDHEAD UNIVERSAL AUTOHOIST	6-2155
14	1	PUMPASSY 3.1 CC/REV. SHORT SPLINE	6-1688
15	1	RELIEF ASSEMBLY FIXED 170 BAR	6-1317
16	1	VALVE CARTRIDGE RELEASE MANUAL	6-0880
17	1	WIRING ASSEMBLY AC 1PH FENNER	6-2156
18	2	BOLT 5/16"-24 x 3.00" TORX G8	6-1090
19	1	COUPLING SAE 9T-20/40 1.260"	6-0774
20	1	PLUMBING PLUG 9/16" SAE	6-2157
21	1	SEAL SHAFT 0.500" x 1.00" x 0.25"	6-2158
22	1	WASHER 0.338" x 0.625" x 0.060" STEEL	6-2159
24	1	PLUMBING PLUG 3/8" NPT	6-2161
25	1	PLUMBING MAGNET	6-2162
27	2	SCREW TAPTITE M6 x 1.0 12MM TORX	6-2164
28	1	COVER ASSY SUCTION	6-2165
29	1	PLUMBING CLAMP HOSE ADJ. INLET	6-2166
30	1	BOLT 5/16"-18 x 1.00" SHCS	6-1392
31	1	NUT 3/4"-16 x 1" HEX x 0.250" STEEL	6-2167
32	1	WASHER 3/4" INT. TOOTH LOCK	6-2168
33	1	BRACKET - HANDLE ASSY REL BLACK	6-0776
34	4	BOLT M6 x 1.0 35MM SOC HD	6-2169
35	4	WASHER 1/4" LOCK HI-COLLAR	6-2170
37	4	BOLT #12-24 x 0.50" HEX WSHRHD	6-1091
38	1	PLUMBING ASSY INLET 17.24 (3)	6-0786
39	1	RELIEF VALVE CAP ASSEMBLY	6-1089
40	1	TANK PLASTIC 6.7 OS 22.50" BLK	6-1399
41	1	CABLE TIE 8" LONG WHITE	6-1846
42	1	O-RING 2-348 BUNA	6-0875

CAUTION

ALL SAFETY LADDERS USED ON 4-POST LIFTS ARE PRELOADED.

REMOVING THE BOLT HOLDING THE BOTTOM PORTION OF THE SAFETY LADDER WITHOUT PROPER PRECAUTIONS CAN RESULT IN INJURY.

PLEASE CONTACT CUSTOMER SERVICE FOR PROPER REMOVAL INSTRUCTIONS.

