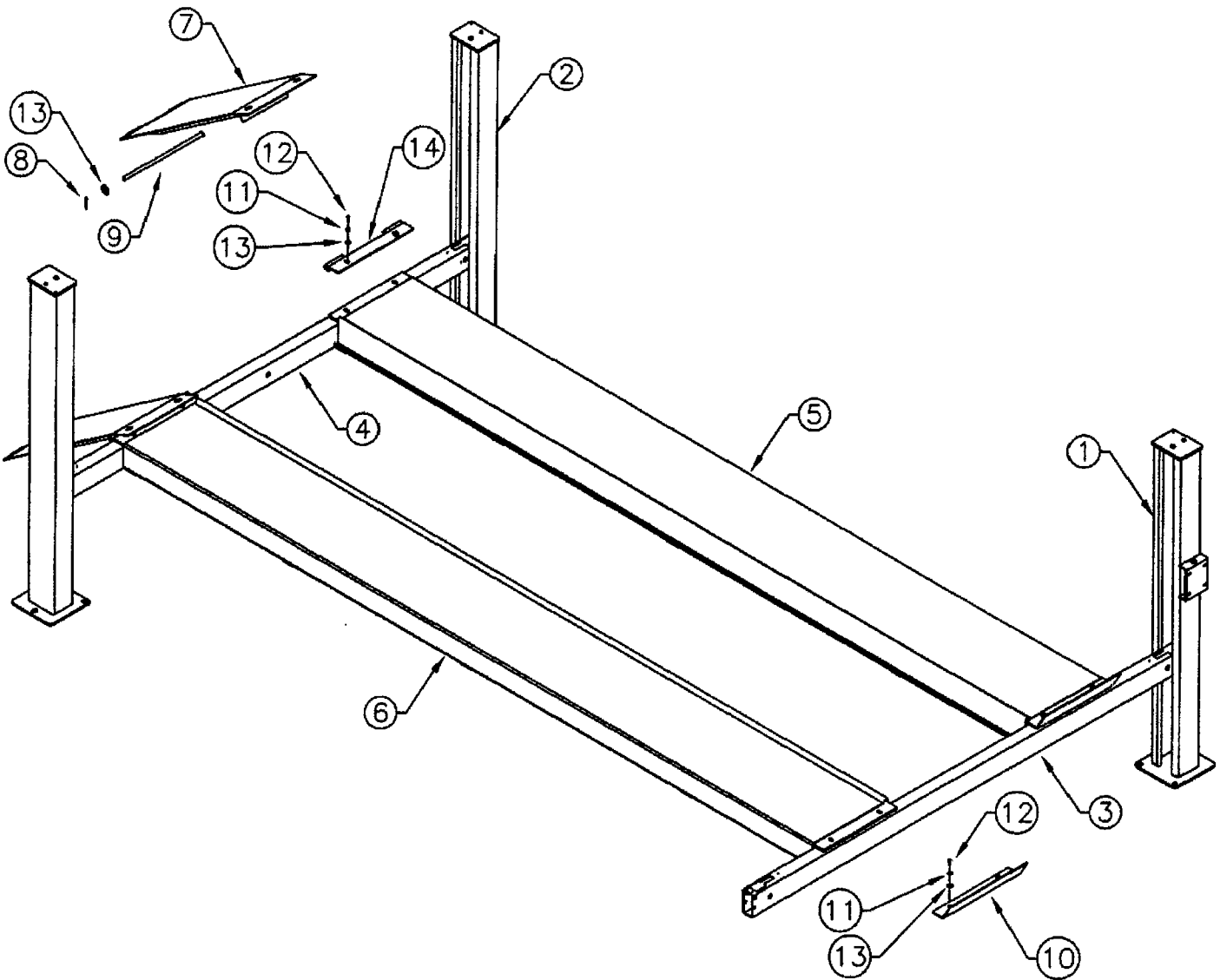


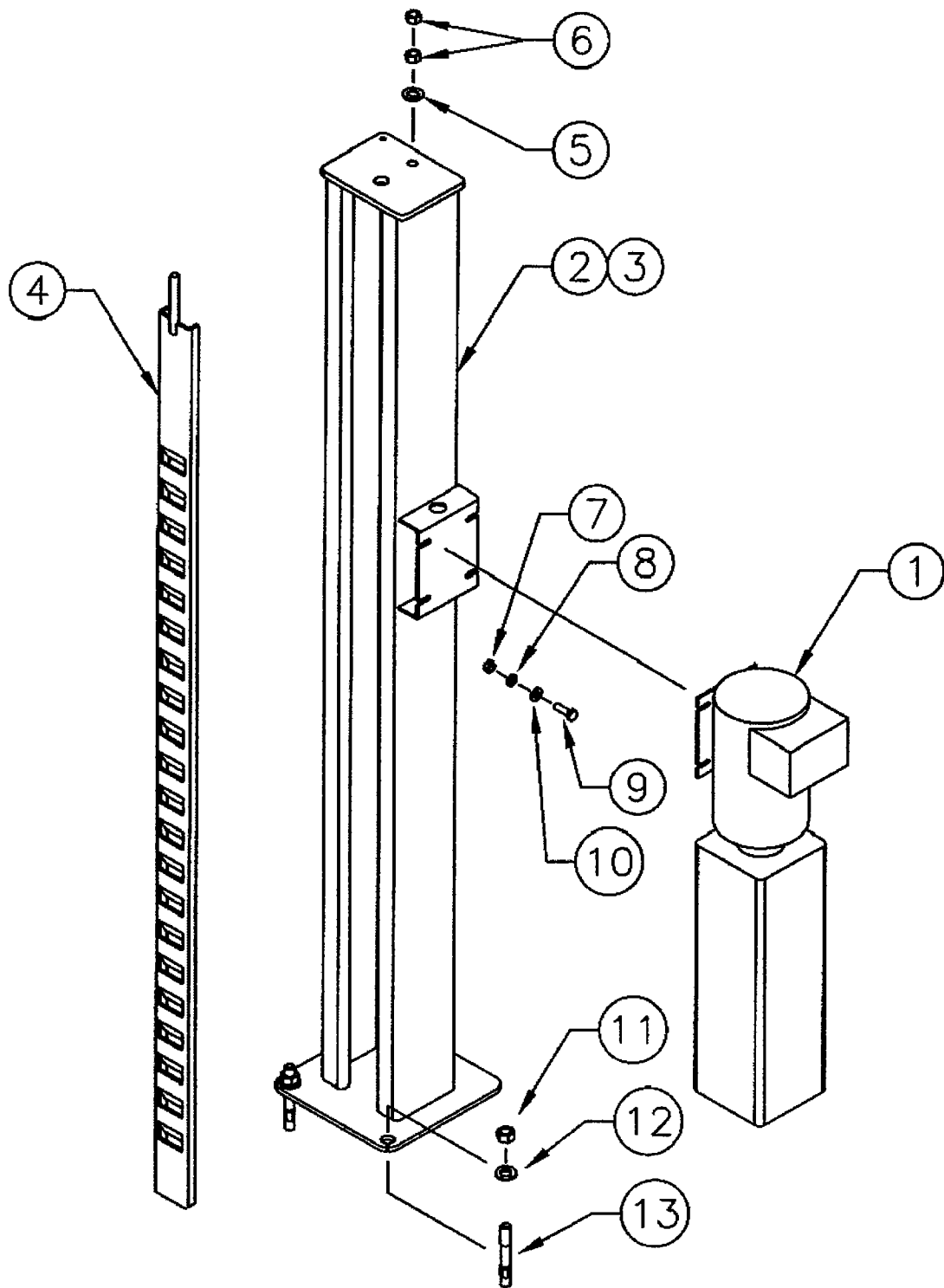
7. PARTS LIST

7.1 PARTS LIST - LIFT ASSEMBLY



| ITEM | QTY. | DESCRIPTION | PART # |
|------|------|--------------------------------|--------|
| 1 | 1 | TOWER WELDMENT - POWER POST | 4-0870 |
| 2 | 3 | TOWER WELDMENT | 4-0871 |
| 3 | 1 | FRONT CROSSMEMBER | 4-0868 |
| 4 | 1 | REAR CROSSMEMBER | 4-0869 |
| 5 | 1 | DECK WELDMENT - L.S. 172" W/B | 4-0893 |
| | 1 | DECK WELDMENT - L.S. 210" W/B | 4-0881 |
| 6 | 1 | DECK WELDMENT - R.S. 172" W/B | 4-0894 |
| | 1 | DECK WELDMENT - R.S. 210" W/B | 4-0882 |
| 7 | 2 | APPROACH RAMP WELDMENT | 3-0817 |
| 8 | 2 | COTTER PIN, 1/8" x 1"LG | 6-0267 |
| 9 | 2 | APPROACH RAMP PIN | 1-2242 |
| 10 | 2 | FRONT WHEELSTOP | 2-1752 |
| 11 | 8 | LOCKWASHER, 1/2"ID | 6-0059 |
| 12 | 8 | HEX HD BOLT, 1/2"-13UNC x 1"LG | 6-0293 |
| 13 | 10 | FLAT WASHER, 1/2"ID | 6-0248 |
| 14 | 2 | RAMP MOUNTING BRACKET | 2-1754 |

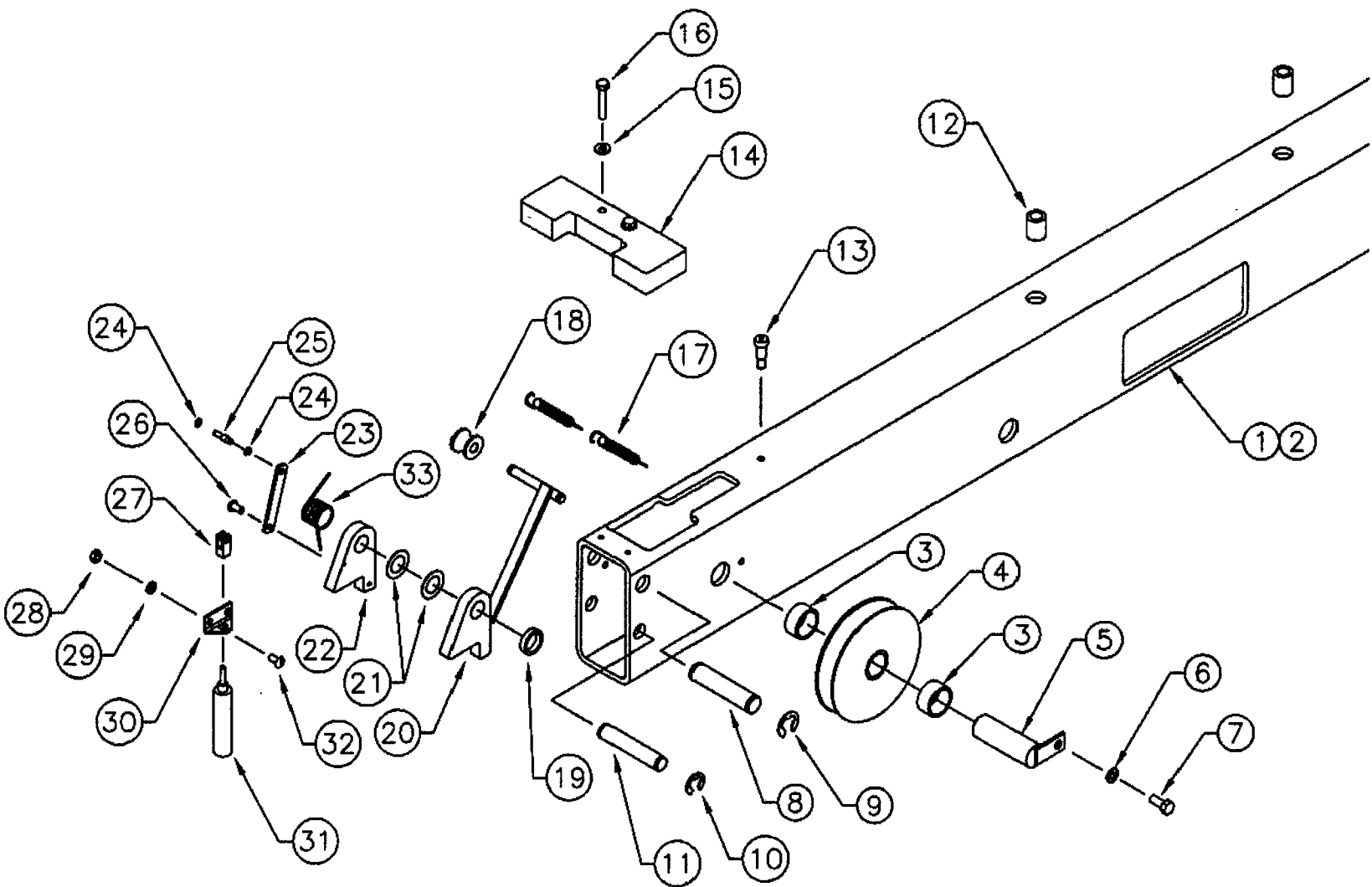
7.2 PARTS LIST - TOWER ASSEMBLIES



| ITEM | QTY. | DESCRIPTION | PART # |
|------|------|--|--------|
| 1 | 1 | POWER PACK, 230V/1PH | 6-1936 |
| 2 | 1 | TOWER WELDMENT - POWER POST | 4-0870 |
| 3 | 3 | TOWER WELDMENT | 4-0871 |
| 4 | 4 | SAFETY RACK WELDMENT | 3-0832 |
| 5 | 4 | FLAT WASHER, 3/4" I.D. | 6-0738 |
| 6 | 8 | HEX NUT, 5/8"-11UNC, GR8 | 6-0673 |
| 7 | 4 | HEX NUT, 5/16"-18UNC, GR.8 | 6-0294 |
| 8 | 4 | LOCK WASHER, 5/16" I.D. | 6-0674 |
| 9 | 8 | FLAT WASHER, 5/16" I.D. | 6-0295 |
| 10 | 4 | HEX HD BOLT, 5/16"-18UNC X 1"LG., GR.8 | 6-0293 |
| 11 | 12 | HEX NUT, 3/4"-10UNC | 6-0737 |
| 12 | 12 | WEDGE ANCHOR, 3/4"-10UNC X 5 1/2"LG. | 6-1379 |
| 13 | 12 | FLAT WASHER, 3/4" I.D. | 6-0738 |

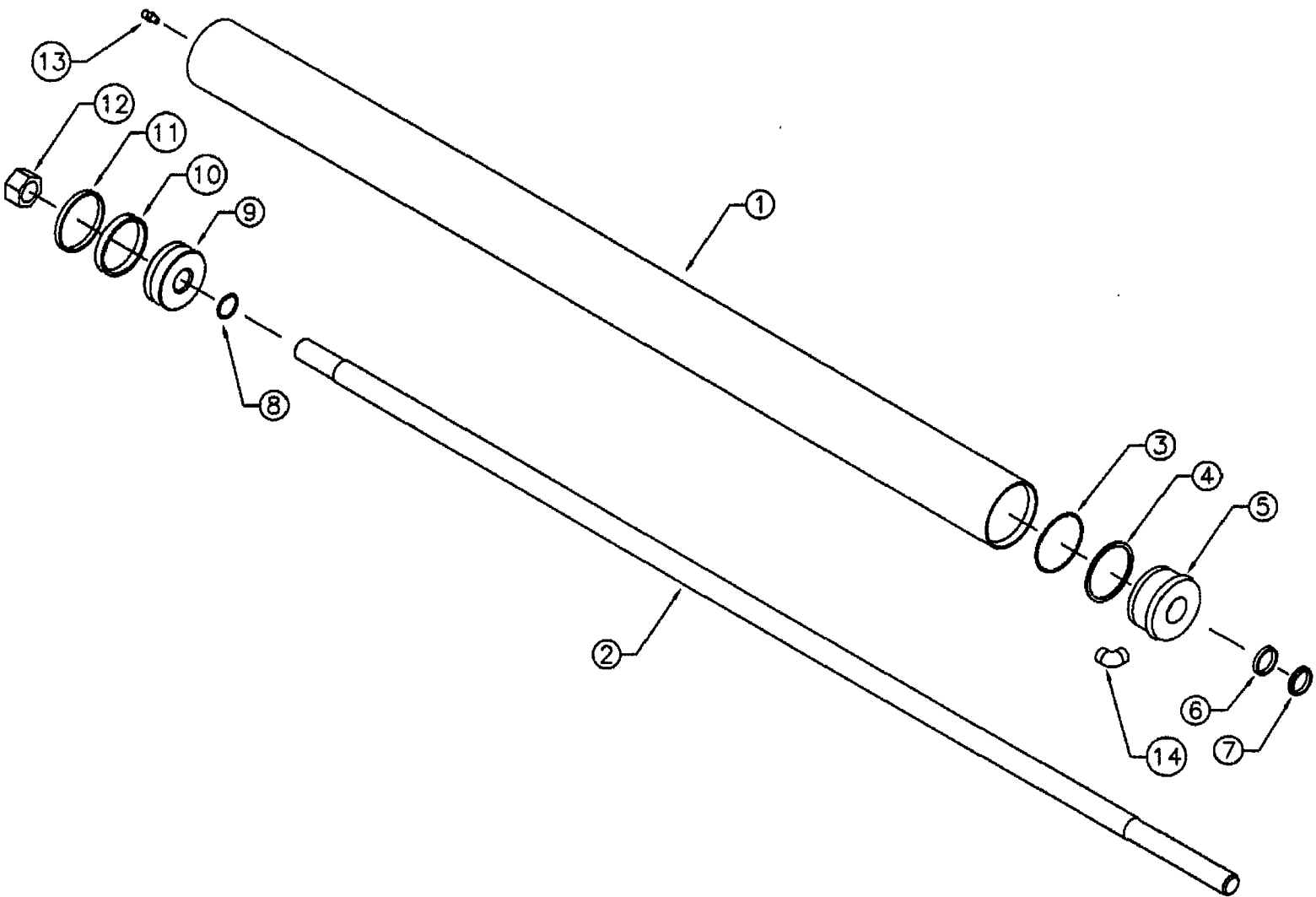
| ITEM | QTY. | DESCRIPTION | PART # |
|--------|------|--|----------------------|
| 1 | 1 | DECK WELDMENT (L.S.) 172" W/B | 4-0893 |
| | | DECK WELDMENT (L.S.) 210" W/B | 4-0881 |
| 2 | 2 | HEX HD BOLT, 5/16"-18UNC x 1" LG | 6-0295 |
| 3 | 2 | LOCKWASHER, 5/16" | 6-0058 |
| 4 | 2 | DECK SHEAVE PIN WELDMENT | 1-2222 |
| 5 | 12 | NYLON THRUST WASHER | 1-0757 |
| 6 | 6 | SHEAVE ASSEMBLY 6 1/2" C/W BUSHING | 1-2347 |
| 7 | 1 | SHEAVE SPACER, 3/4" | 1-2253 |
| 8 | 1 | SHEAVE SPACER, 2 7/8" | 1-2252 |
| 9 | 1 | CYLINDER ASSEMBLY | 4-0942 |
| 10 | 2 | HEX NUT, 1"-14UNF | 6-0664 |
| 11 | 1 | HOSE CLAMP, 4 1/2" DIA | 6-0665 |
| 12 | 1 | CABLE FLANGE | 2-0561 |
| 13 | 2 | LOCKWASHER, 3/8"ID | 6-0058 |
| 14 | 2 | HEX HD BOLT, 3/8"-16UNC x 1 1/4" LG | 6-0666 |
| * * | | L.S. DECK ASSEMBLY COMPLETE 172" W/B L.S. DECK ASSEMBLY COMPLETE 210" W/B | 4-0930-3 4-0931-3 |

7.4 PARTS LIST - CROSSMEMBER ASSEMBLIES



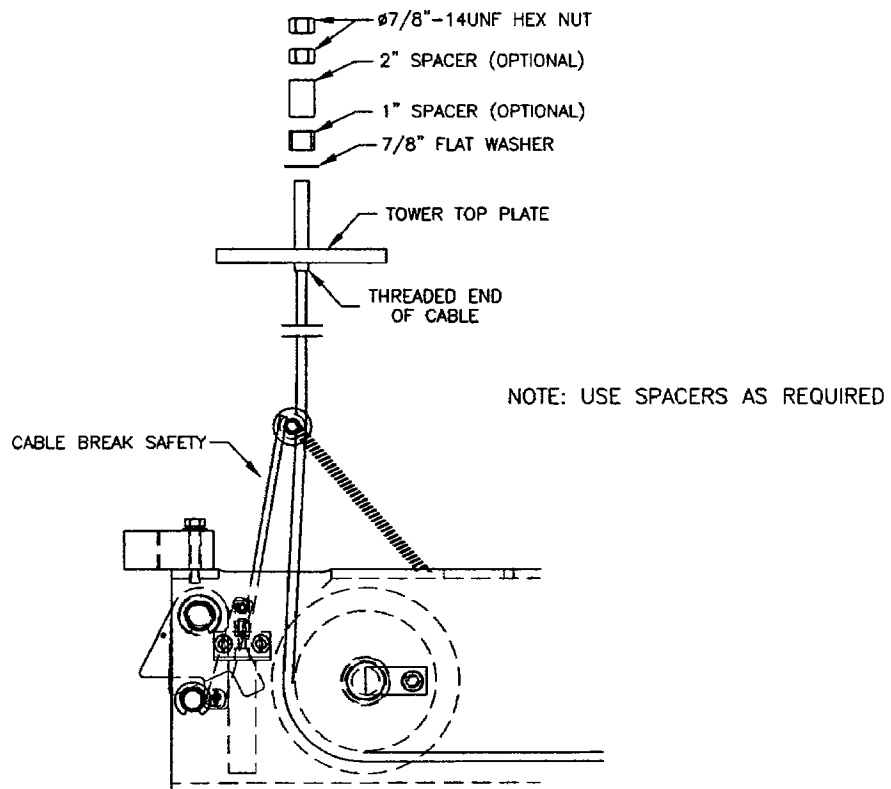
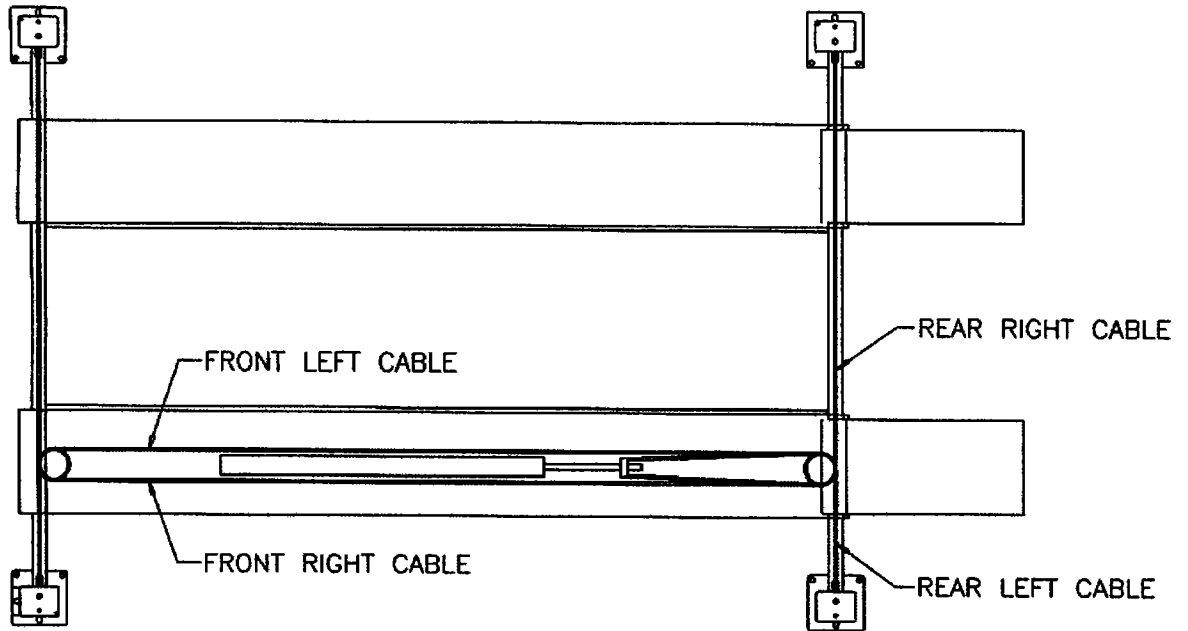
| ITEM | QTY. | DESCRIPTION | PART # |
|------|------|------------------------------------|--------|
| 1 | 1 | FRONT CROSSMEMBER | 4-0868 |
| 2 | 1 | REAR CROSSMEMBER | 4-0869 |
| 3 | 8 | SHEAVE SPACER | 1-2244 |
| 4 | 4 | SHEAVE ASSEMBLY 5" C/W BUSHING | 1-2346 |
| 5 | 4 | CROSSMEMBER SHEAVE PIN WELDMENT | 1-2226 |
| 6 | 4 | LOCKWASHER, 5/16" | 6-0674 |
| 7 | 4 | HEX HD BOLT, 5/16"-18UNC x 3/4" LG | 6-0423 |
| 8 | 4 | LOCK SAFETY PIN | 1-2130 |
| 9 | 8 | CIRCLIP, 3/4" | 6-2422 |
| 10 | 8 | CIRCLIP, 5/8" | 6-2442 |
| 11 | 4 | CABLE BREAK PIN | 1-2245 |
| 12 | 8 | THREADED INSERT, 1/2"-NC | 6-2432 |
| 13 | 4 | SHOULDER BOLT, 3/8" X 1/2" | 6-1792 |
| 14 | 4 | GLIDE BEARING | 1-2248 |
| 15 | 8 | FLATWASHER, 1/4" | 6-0060 |
| 16 | 8 | HEX HD BOLT, 1/4"-NC X 1 1/2" | 6-0205 |
| 17 | 4 | TENSION SPRING | 1-0768 |
| 18 | 4 | CABLE ROLLER | 1-0766 |
| 19 | 4 | SAFETY DOG SPACER | 1-2317 |
| 20 | 4 | CABLE BREAK LOCK | 2-1755 |
| 21 | 8 | THRUST WASHER | 6-0205 |
| 22 | 4 | SAFETY LOCK | 1-2204 |
| 23 | 4 | SAFETY LINKAGE | 1-2249 |
| 24 | 8 | CIRCLIP, 3/16" | 6-2431 |
| 25 | 4 | SAFETY RELEASE PIN | 1-2310 |
| 26 | 4 | MACHINE SCREW, #10-32 X 1/2" | 6-2446 |
| 27 | 4 | ROD CLEVIS | 6-2435 |
| 28 | 8 | HEX NUT, 1/4" | 6-0032 |
| 29 | 8 | LOCKWASHER, 1/4" | 6-0056 |
| 30 | 4 | CYLINDER MOUNTING BRACKET | 1-2315 |
| 31 | 4 | AIR CYLINDER | 6-2434 |
| 32 | 4 | ROUND HD SCREW, 1/4" X 5/8" | 6-0335 |
| 33 | 4 | TORSION SPRING | 1-2316 |

7.5 PARTS LIST - CYLINDER ASSEMBLY

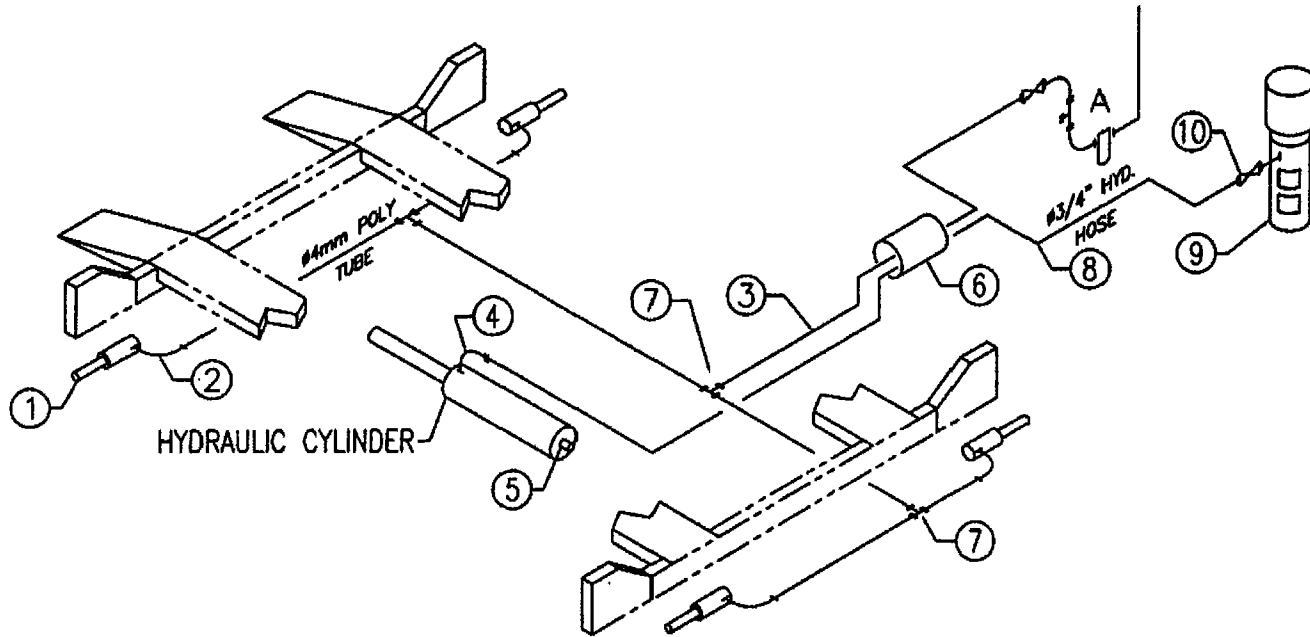
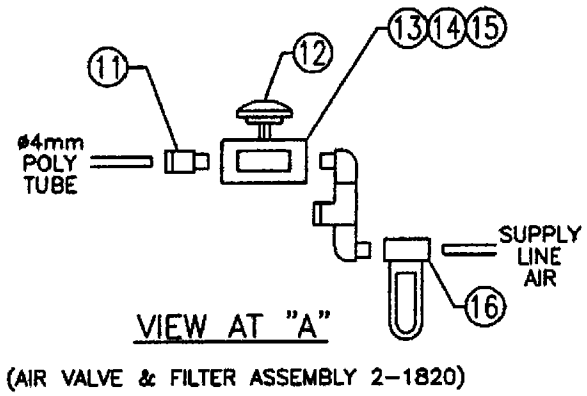


| ITEM | QTY. | DESCRIPTION | PART # |
|------|------|---------------------------------|--------|
| 1 | 1 | CYLINDER TUBE WELDMENT 3 ½"BORE | 2-0562 |
| 2 | 1 | PISTON ROD - MACHINED | 2-0565 |
| 3 | 1 | ORING, 3 ½" OD | 6-0655 |
| 4 | 1 | BACKUP RING | 6-0938 |
| 5 | 1 | GLAND | 3-0348 |
| 6 | 1 | ROD SEAL, 1 ¼" ID | 6-0654 |
| 7 | 1 | ROD WIPER, 1 ¼"ID | 6-0653 |
| 8 | 1 | ORING, 1 1/8"OD x 1/8"C/S | 6-0656 |
| 9 | 1 | PISTON | 2-0564 |
| 10 | 1 | SEAL, 3 ½" OD x 3" ID | 6-0003 |
| 11 | 1 | WEAR RING, 3 ½"OD x 3/8"WIDE | 6-0004 |
| 12 | 1 | LOCKNUT, 7/8"-14UNF | 6-1160 |
| 13 | 1 | ADAPTOR, 1/8"NPT-M TO 1/4"JIC-M | 6-0280 |
| 14 | 1 | FLOW CONTROL | 6-2436 |

7.6 PARTS LIST - CABLE ROUTING



| ITEM | QTY. | DESCRIPTION | PART # |
|------|------|------------------------------------|--------|
| | 1 | CABLE ASSY. - FRONT LEFT 172" W/B | 2-1791 |
| | | CABLE ASSY. - FRONT LEFT 210" W/B | 2-1677 |
| | 1 | CABLE ASSY. - FRONT RIGHT 172" W/B | 2-1792 |
| | | CABLE ASSY. - FRONT RIGHT 210" W/B | 2-1678 |
| | 1 | CABLE ASSY. - REAR LEFT | 2-1679 |
| | 1 | CABLE ASSY. - REAR RIGHT | 2-1680 |
| | 8 | HEX NUT, 7/8"-14UNF GR8 | 6-0724 |
| | 4 | CABLE SPACER, 2"LG | 1-0800 |
| | 4 | FLAT WASHER, 7/8"ID | 6-0725 |
| | 4 | CABLE SPACER, 1"LG | 1-0801 |



| ITEM | QTY. | DESCRIPTION | PART # |
|------|------|-----------------------------------|--------|
| 1 | 4 | AIR CYLINDER | 6-2434 |
| 2 | 4 | ELBOW, 90 DEG, 4mm POLYTUBE TO M5 | 6-1504 |
| 3 | 50FT | 4MM POLYTUBE | 8-0307 |
| 4 | 1 | FLOW CONTROL | 6-2436 |
| 5 | 1 | ADAPTER, 1/8" NPT TO 1/4" JIC | 6-0280 |
| 6 | 4FT | HOSE GUARD | 6-2436 |
| 7 | 3 | UNION T 4mm POLYTUBE | 6-2433 |
| 8 | 1 | HYDRAULIC HOSE, 16FT | 6-1692 |
| 9 | 1 | POWREPACK, 220V, 1PH | 6-1936 |
| 10 | 1 | ELBOW 90DEG, 9/16" SAE TO #6 JIC | 6-0804 |
| 11 | 1 | ADDAPTER 1/8" NPT TO 4mm POLYTUBE | 6-2465 |
| 12 | 1 | AIR VALVE PUSHBUTTON KIT | 6-1777 |
| 13 | 1 | AIR VALVE | 6-1775 |
| 14 | 2 | HEX NUT, #8-32 | 6-1095 |
| 15 | 2 | PHILLIPS HD SCREW, #8-32 X 1" | 6-1094 |
| 16 | 1 | AIR FILTER | 6-0180 |