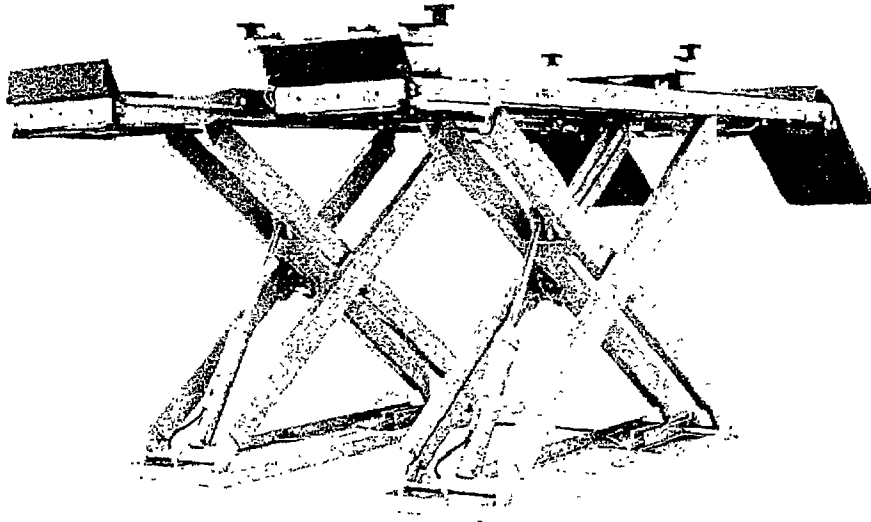




EXPLODED VIEW and PARTS LIST



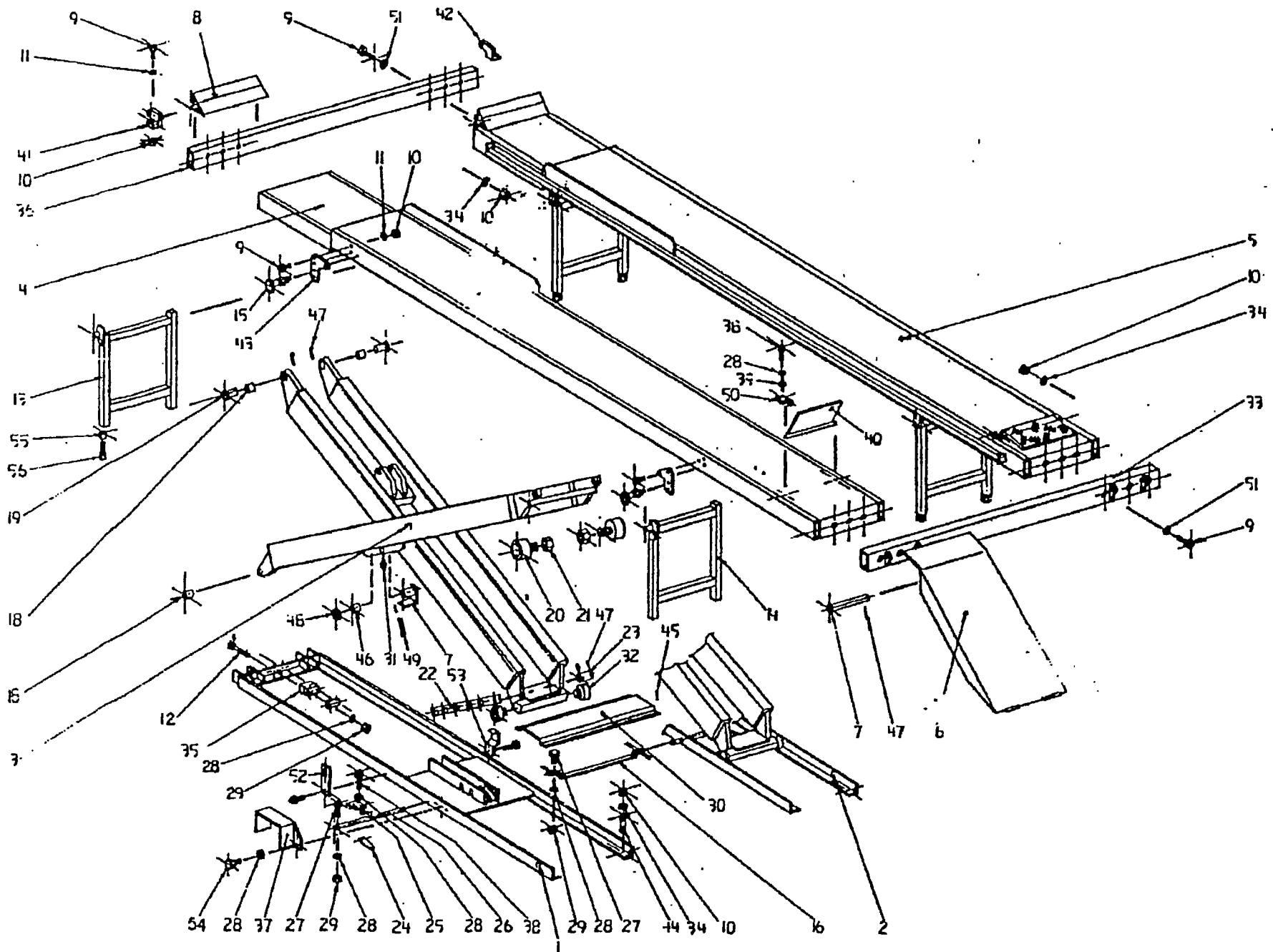
12000 MODEL
AC12005AF / AC12005AFM
AC12006

**READ and SAVE THIS
INSTRUCTION
MANUAL**



P.O. Box 15540 Richmond, VA 2327
804-798-8922
www.accu-turn.com 1-800-551-2228

MAR. 2000 6-2222

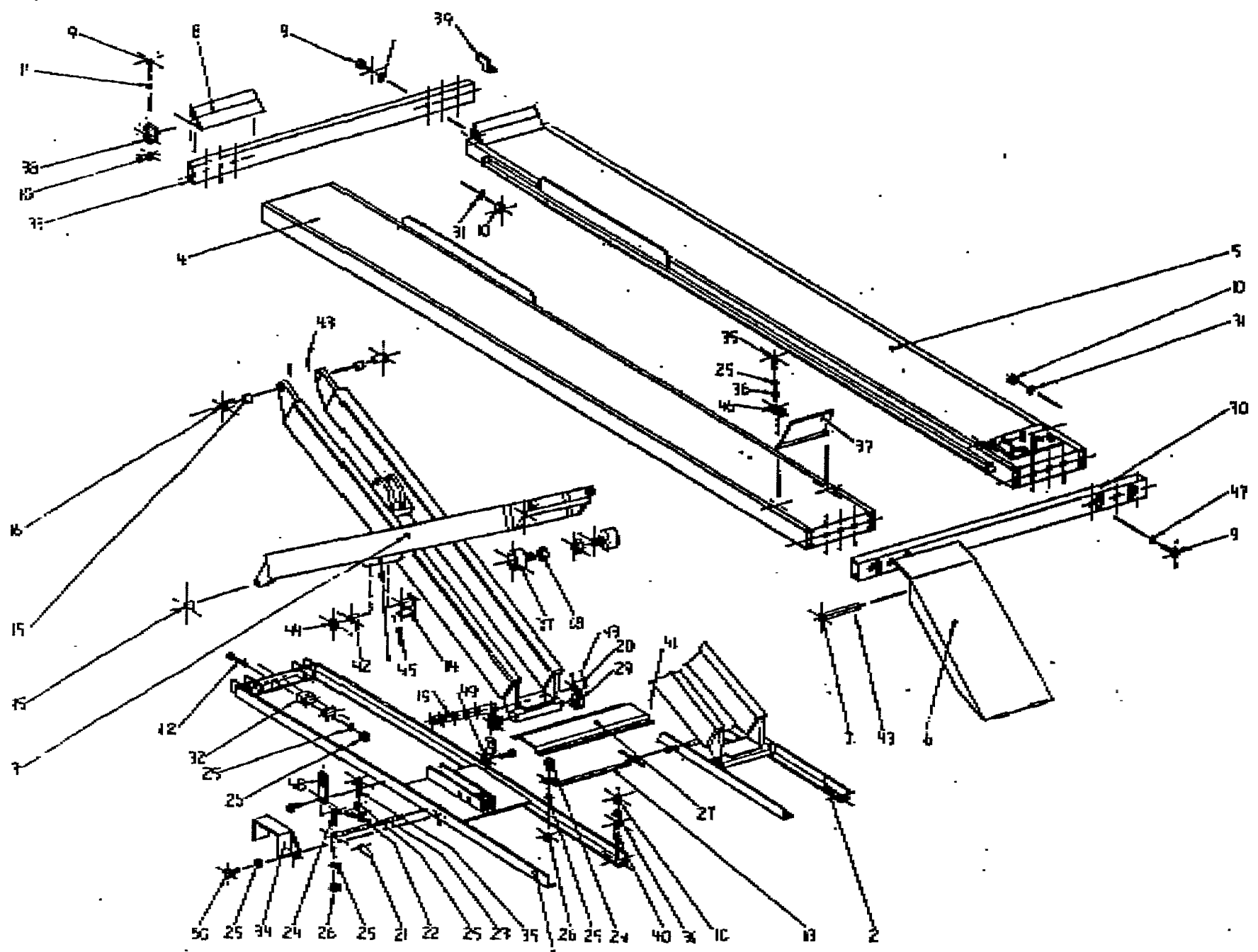


SPACE SAVER MAIN FRAME ASSEMBLY ALIGNMENT

ITEM NO.	PART NO.	QUANTITY	DESCRIPTION
1	4-0160	1	BASE FRAME WELDMENT, DRIVER SIDE
2	4-0161	1	BASE FRAME WELDMENT, PASSENGER SIDE
3	4-0153	2	SCISSOR WELDMENT
4	4-0158	1	ALIGNMENT DECK, DRIVER SIDE
5	4-0159	1	ALIGNMENT DECK, PASSENGER SIDE
6	3-0285	2	APPROACH RAMP
7	1-0095	2	RAMP PIN
8	2-0432	2	WHEEL STOP (FRONT)
9	6-0291	32	HEX NUT, 1/2"-13UNC X 1-1/2"LG
10	6-0035	36	HEX NUT, 1/2"-13UNC
11	6-0059	22	LOCKWASHER 1/2 NOM. I.D.
12	6-0177	4	1/4-20UNC X 2" LONG
13	3-0300	2	LEVELLING LEG, FRONT DS, REAR PS
14	3-0299	2	LEVELLING LEG, FRONT PS, REAR DS
15	2-0086	4	PLUNGER PIN ASSEMBLY
16	2-0071	1	SAFETY RELEASE CON. ROD
17	1-0106	4	FULCRUM PIN 1-1/4" DIA.
18	6-0085	8	BUSHING 1" I.D.
19	1-0107	8	END HINGE PIN 1" DIA.
20	6-0076	4	CAM FOLLOWER
21	6-0040	4	JAM NUT 5/8-18 UNF
22	2-0405	2	SAFETY BAR WELDMENT
23	1-0547	2	PINS
24	2-0194	2	SAFETY PEDAL
25	1-0189	2	SAFETY RELEASE TAB
26	2-0428	2	SAFETY RELEASE ROD
27	6-0027	6	HEX BOLT 1/4-20UNC X 1-1/4"LG
28	6-0056	18	LOCKWASHER 1/4 DIA. NOM.
29	6-0032	10	HEX NUT 1/4-20UNC
30	3-0164	1	CENTER COVER
31	6-0000	4	GREASE NIPPLE
32	6-0077	4	CAM FOLLOWER
33	3-0297	1	REAR CROSSMEMBER WELDMENT
34	6-0439	16	PLAIN WASHER 1/2" NOM I.D.
35	6-0172	2	RUBBER SUPPORT ASSEMBLY
36	3-0298	1	FRONT CROSSMEMBER
37	1-0698	2	TOE GUARD
38	6-0178	8	HEX BOLT 1/4-20UNC X 3/4"LG

SPACE SAVER MAIN FRAME ASSEMBLY ALIGNMENT

ITEM NO.	PART NO.	QUANTITY	DESCRIPTION
39	6-0060	4	FLAT WASHER 1/4 ID
40	2-0343	2	REAR WHEEL STOP
41	1-0691	1	FRONT W/S BRACKET - D.S.
42	1-0690	1	FRONT W/S BRACKET - P.S.
43	2-0118	4	OUTSIDE LEG BRACKET
44	6-0140	16	WEDGE ANCHOR 1/2" X 4-1/2" LONG
45	6-0141	4	CONCRETE NAIL 1/4" X 1" LONG
46	6-0084	8	BUSHING 1-1/4" I.D.
47	6-0115	14	COTTER PIN
48	1-0140	4	WASHER
49	6-0146	4	SPRING PIN 3/16 X 2" LONG
50	1-0432	4	REAR WHEEL STOP CLIP
51	6-0439	6	FLAT WASHER 1/2"
52	1-0728	4	SHIPPING BRACKET FLAT
53			
54	6-0554	4	HEX BOLT 1/4-20 X 2-1/2" LG
55	6-0041	8	JAM NUT
56	6-0050	8	TAP BOLT 3/4 X 4" LONG

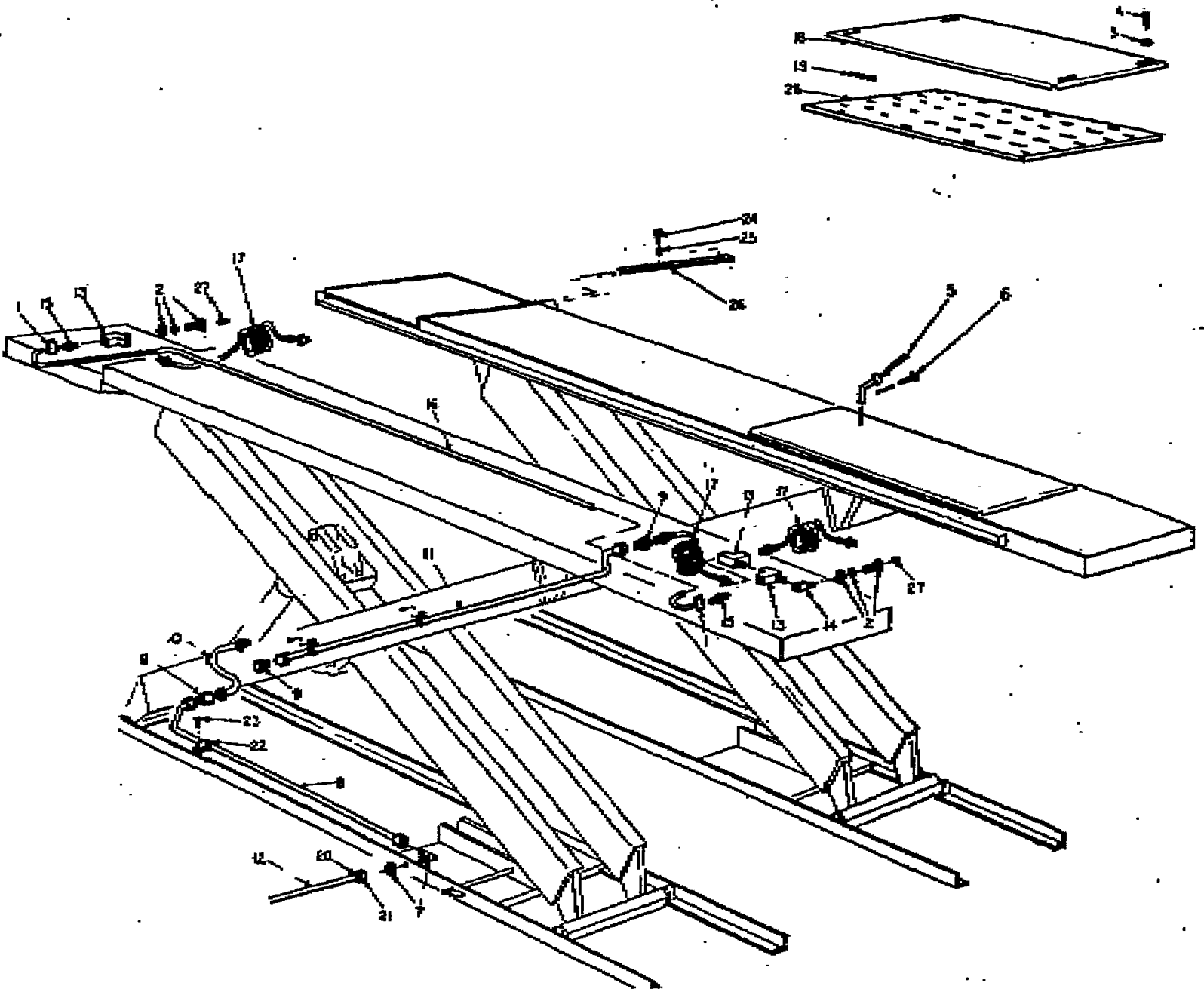


SPACE SAVER MAIN FRAME ASSEMBLY, SERVICE & RUST PROOFER

ITEM NO.	PART NO.	QUANTITY	DESCRIPTION
1	4-0160	1	BASE FRAME WELDMENT, DRIVER SIDE
2	4-0161	1	BASE FRAME WELDMENT, PASSENGER SIDE
3	4-0153	2	SCISSOR WELDMENT
4	4-0162	1	SERVICE DECK, DRIVER SIDE
5	4-0163	1	SERVICE DECK, PASSENGER SIDE
6	3-0285	2	APPROACH RAMP
7	1-0095	2	RAMP PIN
8	2-0432	2	WHEEL STOP
9	6-0291	20	HEX BOLT, 1/2"-13UNC X 1-1/2"LG
10	6-0035	24	HEX NUT, 1/2"-13UNC
11	6-0059	10	LOCKWASHER 1/2" NOM. ID
12	6-0177	4	1/4-20UNC X 2" LONG
13	2-0071	1	SAFETY RELEASE CON. ROD
14	1-0106	4	FULCRUM PIN 1-1/4" DIA.
15	6-0085	8	BUSHING 1" DIA.
16	1-0707	8	END HINGE PIN 1" DIA.
17	6-0076	4	CAM FOLLOWER
18	6-0040	4	JAM NUT 5/8"-18 UNF
19	2-0405	2	SAFETY BAR WELDMENT
20	1-0034	2	PINS
21	2-0194	2	SAFETY PEDAL
22	1-0189	2	SAFETY RELEASE TAB
23	2-0428	2	SAFETY RELEASE ROD
24	6-0027	6	HEX BOLT 1/4"-20UNC X 1-1/4 LG
25	6-0056	18	LOCKWASHER 1/4" DIA. NOM.
26	6-0032	10	HEX NUT 1/4"-20UNC
27	3-0164	1	CENTER COVER
28	6-0000	4	GREASE NIPPLE
29	6-0077	4	CAM FOLLOWER
30	3-0298	1	REAR CROSSMEMBER WELDMENT
31	6-0063	16	PLAIN WASHER
32	6-0172	2	RUBBER SUPPORT ASSEMBLY
33	3-0298	1	FRONT CROSSMEMBER
34	1-0698	2	TOE GUARD
35	6-0178	8	HEX BOLT 1/4-20UNC X 3/4" LONG

SPACE SAVER MAIN FRAME ASSEMBLY SERVICE & RUST PROOFER

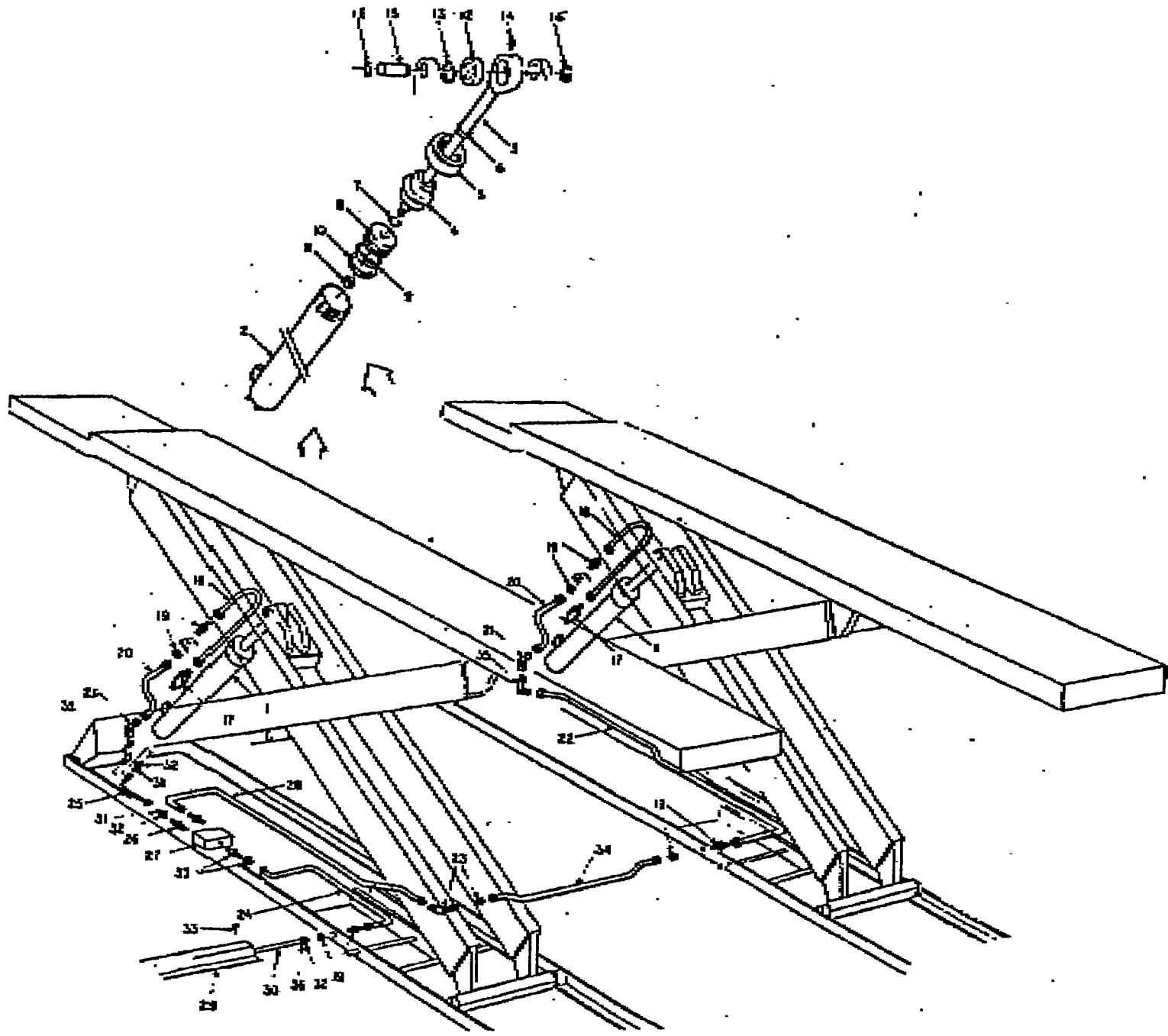
ITEM NO.	PART NO.	QUANTITY	DESCRIPTION
36	6-0060	4	FLAT WASHER 1/4 ID
37	2-0343	2	REAR WHEEL STOP
38	1-0691	1	FRONT W/S BRACKET-WELDMENT
39	1-0690	1	FRONT W/S BRACKET-WELDMENT
40	6-0140	16	WEDGE ANCHOR 1/2" X 4-1/2" LG
41	6-0141	4	CONCRETE NAIL 1/4" X 1" LG
42	6-0084	8	BUSHING 1-1/4" ID
43	6-0115	14	COTTER PIN
44	1-0140	4	WASHER
45	6-0146	4	SPRING PIN 3/16 X 2" LG
46	1-0432	4	REAR WHEEL STOP CLIP
47	1-0439	6	FLAT WASHER 1/2" NOM ID
48	1-0728	4	SHIPPING BRACKET
49	6-0554	4	HEX BOLT 1/4-20UNC X 2-1/2" LG



SPACE SAVER12000 OPTIONS

SPACE SAVER OPTIONS

ITEM NO.	PART NO.	QUANTITY	DESCRIPTION
1	6-0168	2	HOSE CLAMP HF-5
2	6-0167	2	TERMINAL BOLT, 3/4-16m W/1/4 FNPT
3	6-0426	8	FLAT WASHER
4	6-0069	8	SHOULDER BOLT, 3/8 X 5/8" LONG
5	1-0117	4	LOCKING PIN ASSEMBLY
6	6-0505	4	SELF TAP SCREW #10 X 1/2" LONG
7	6-0012	1	BULKHEAD, 90 DEG ELBOW C/W JAM NUT
8	3-0017	1	TUBE ASSEMBLY
9	6-0118	3	ADAPTER, 3/8M JIC TO 1/4 FNPT
10	1-0119	1	HOSE ASSEMBLY
11	2-0062	1	TUBE ASSEMBLY
12	6-0171	1	TUBE, 3/8 X .049 X 20' LONG
13	6-0014	3	STREET TEE 1/4 NPT
14	6-0015	1	STREET ELBOW
15	6-0121	2	HOSE BARB FITTING, 1/4 NPT 3/8 HOSE
16	1-0139	1	HOSE, 172" W/B
17	6-0337	3	STREET TEE, 1/4 NPT
18	3-0197	2	REAR STEER PLATE
19	6-0427	1 SET	BALL BEARING
20	6-0017	2	SLEEVE, JIC
21	6-0016	2	NUT, 3/8 JIC
22	6-0170	4	TUBE CLAMP
23	6-0169	4	SCREW, SELF TAPPING, #10 X 3/8" LG
24	6-0178	16	HEX BOLT, 1/4-20UNC X 3/4" LG
25	6-0056	16	LOCKWASHER
26	1-0391	4	TURN PLATE GUIDE
27	6-0282	2	PLUG, 1/4 NPT
28	3-0196	2	BEARING PLATE



SPACE SAVER HYDRAULICS

ITEM NO.	PART NO.	QUANTITY	DESCRIPTION
1	3-0000	2	HYDRAULIC CYLINDER
1-2	3-0077	1	TUBE WELDMENT
1-3	1-0011	1	NUT GLAND
1-4	1-0008	1	GLAND
1-5	2-0001	1	ROD WELDMENT
1-6	6-0001*	1	WIPER RING
1-7	6-0002*	1	"O" RING
1-8	1-0007	1	PISTON
1-9	6-0003*	1	SEAL RING
1-10	6-0004*	1	WEAR RING
1-11	6-0005	1	NUT, NYLOK 7/8-14 UNF
1-12	6-0007	1	BEARING
1-13	6-0070	1	RETAINING RING
1-14	6-0000	1	GREASE NIPPLE
15	1-0029	2	PIN
16	6-0340	4	RETAINING RING
17	6-0025	2	VELOCITY FUSE
18	1-0093	2	TUBE ASSEMBLY, CYLINDER
19	6-0013	4	BULKHEAD, CONNECTOR 3/8 JIC C/W JAM NUT
20	1-0649	2	HOSE ASSEMBLY, 1200
21	6-0175	2	ADAPTER, 45 DEG ELBOW
22	2-0068	1	BULKHEAD, 90 DEGREE ELBOW C/W JAM NUT
24	2-0064	1	TUBE ASSEMBLY
25	2-0182	1	TUBE ASSEMBLY
26	6-0156	2	ADAPTER, 3.8 BSP TO 3/8 JIC
27	6-0173	1	FLOW DIVIDER (WITH FITTINGS)
28	2-0066	1	TUBE ASSEMBLY
29	2-0015	4	LINE COVER
30	6-0171	1	SUPPLY TUBE 20' 3/8 X .049 WALL
31	6-0378	2	REDUCER NIPPLE 3/8 TO 1/4
32	6-0016	4	NUT 3/8 TUBE
33	6-0141	16	CONCRETE NAIL 1/4 X 1" LONG
34	2-0519	1	TUBE ASSEMBLY
35	6-0174	2	ADAPTER, EXTENDED 90 DEGREE
36	6-0017	2	SLEEVE
37	6-0176	1	BULKHEAD ADAPTER, 3/8 BSP TO 3/8 JIC

* HYDRAULIC CYLINDER KIT PART #0-0007
COMPLETE POWER PACKS

0-0123	HYDRAULIC POWER PACK 220V/1 PHASE 2 STAGE
0-0015	HYDRAULIC POWER PACK 550V/3 PHASE
0-0016	HYDRAULIC POWER PACK 220V/3 PHASE

SPACE SAVER 12,000 POWER PACK

ITEM NO.	PART NO.	QUANTITY	DESCRIPTION
1	4-0146	1	OIL RESERVOIR
2	6-0102	1	PLUG, 3/8 NPT
3	6-0544	1	PLANGE AND PIPE FOR STRAINER 12000
4	6-0542	1	MOTOR COUPLER
5	6-0541	1	1001 PUMP ASSEMBLY (PUMPS, BLOCK, FLANGE)
6A	6-0087	1	MOTOR, 220 V/1 PHASE
6B	6-0446	1	MOTOR, 208 V/3 PHASE
6C	6-0447	1	MOTOR, 550 V/3 PHASE
7	6-0089	1	PLUG
8	6-0020	1	HYDRAULIC ADAPTER
9	1-0102	1	TUBE ASSEMBLY
10	6-0090	1	FLOW CONTROL VALVE
11	6-0011	2	ADAPTER, 3/8 JIC TO 3/8 MNPT
12	6-0091	1	SOLENOID ELECTRIC PLUG
13A	6-0095	1	CONTRACTOR MOTOR STARTER, 220 V/1 PHASE
13B	6-0448	1	CONTRACTOR MOTOR STARTER 208 V/3 PHASE
13C	6-0449	1	CONTRACTOR MOTOR STARTER 550 V/3 PHASE
14	6-0092	1	STRAIN RELIEF CONNECTOR, 1/4
15	6-0094	2	STRAIN RELIEF CONNECTOR, 1/2
16	6-0096	1	REMOTE HAND CONTROL
17	6-0431	1	PRESSURE RELIEF VALVE
18	1-0103	1	REMOTE CONTROL CABLE
19	6-0434	1	STRAINER
20	6-0097	1	OIL FILER & TUBE 12000
22	1-0225	1	RUBBER GASKET
23	6-0032	1	NUT, 1/4-20UNC
24	1-0104	1	MOTOR CABLE
25	6-0100	1	SOLENOID
26	6-0101	1	SOLENOID VALVE SPOOL 12000, 5000 P.S.I.
27	1-0105	1	SOLENOID CABLE
28	6-0432	1	CAP NUT, FOR SOLENOID
29	6-0099	1	FILLER CAP
30	6-0067	4	HEX BOLT, 3/8-16 UNC X 1" LG
31	6-0058	4	LOCKWASHER
32	6-0027	4	HEX BOLT, 1/4-20 UNC X 1" LG
33	6-0056	6	LOCKWASHER, 3/8 NOM.
34	6-0145	1	MANUAL DESCEND VALVE
35	6-0144	1	PRESSURETIME DELAY VALVE
36	6-0141	4	CONCRETE NAIL 1/4 X 1"
37	6-0379	16 L	HYDRAULIC OIL, ISO-32
38	6-0093	2	STRAIN RELIEF CONNECTOR, 3/8
39	6-0385	1	ANTI SLIP DIFF FLUID
40	6-0405	1	MAGNET
41	6-0517	1	OIL SIGHT LEVEL PLUG

