

**8989 HEAVY-DUTY COMBINATION BRAKE LATHE  
PARTS LIST**

ITEM #	PARTS #	QTY.	REQ'D.	DESCRIPTION
1	434324	1		HOUSING
2	434014	1		COVER, HOUSING
3	434420	1		GASKET .015
4	420772	4		SCREW
6	433605	1		SPINDLE
7	433618	1		BEARING, CONE
8	433619	1		BEARING, CUP
9	433616	1		BEARING, CONE
10	433772	1		BEARING, CUP
11	433622	1		SEAL
12	431146	1		SEAL
13	433620	1		SEAL
14	408129	1		SEAL
15	433611	1		SHIM
16	433612	1		SHIM
17	433613	1		SHIM
18	411342	1		KEY
19	433606	1		GEAR, WORM
20	433974	1		SCREW, SET
21	408365	1		LOCK WASHER
22	408364	1		LOCK NUT
23	433607	1		SHAFT, WORM
24	433614	2		BEARING, CONE
25	433615	2		BEARING, CUP
26	433608	1		CARRIER, BRG.
27	421643	1		GASKETS
28	411389	4		SCREW
29	420149	1		SEAL
30	434311	1		DOVE TAIL, BOTTOM
31	433634	4		SCREW
32	433790	2		WEAR STRIP ASSY.
33	433635	1		WAY WIPER ASSY.TOP
34	433638	10		SCREW
35	434319	1		DOVE TAIL,CENTER
36	433627	1		DOVE TAIL, TOP
37	433630	8		SCREW, SET
38	413294	8		WASHER
39	413291	8		NUT, HEX
40	433639	2		SCREW, TURN
41	535638	1		SCREW, DRUM FEED ASSY.
42	433156	1		SCREW, ROTOR FEED ASSY
44	433645	4		RING, RETAINING EXT.
45	432413	4		RING, RETAINING INT.
47	433623	2		BEARING, BALL

ITEM #	PARTS #	QTY.	REQ'D.	DESCRIPTION
48	433907	2		HOUSING, FEEDBOX
49	433646	1		NUT, DRUM FEED
50	433647	1		NUT, ROTOR FEED
51	411378	4		SCREW
52	417258	2		SCREW
53	433641	2		MOTOR 1/60, 6 RPM
54	434081	8		SCREW
55	434384	2		ASSY.SHIFTING YOKE
56	434016	2		COLLAR
57	421431	2		KEY
58	434439	2		DRIVE ADAPTER
59	433974	2		SCREW, SET
60	433653	2		GEAR, SPUR 55 TEETH
61	433655	2		SPRING, CONICAL
62	433654	2		WASHER
63	421077	2		RING, RETAINING EXT.
64	433651	2		GEAR, SPUR 70 TEETH
65	433649	2		SWITCH, LIMIT
68	433908	2		COVER, FEEDBOX HSING
69	434017	2		SNAP-IN NYLINER
70	433909	2		HANDLE, SHIFTER
71	433974	8		SCREW, SET
72	1A2169	2		SPRING
73	408373	2		BALL
74	433667	2		GUARD, RTR WAY DR.MTR
76	433638	4		SCREW
77	433735	1		TELESCOPING WAY COVER ASSY.
78	433648	12		SCREW
79	433682	4		SPACER, WAY COVER
80	433688	4		SCREW
81	433687	4		SCREW
82A	433828	1		HANDWHEEL ASSY. DRUM
82B	433665	1		HANDWHEEL
82C	433666	1		HANDLE, REVOLVING
82D	433669	1		DECAL, CALIB 0-80 DRUM
82E	408409	1		SCREW
82F	433974	1		SCREW
83A	433829	1		HANDWHEEL ASSY. ROTOR
83B	433665	1		HANDWHEEL
83C	433666	1		HANDLE, REVOLVING
83D	433781	1		DECAL, CALIB 0-95 RTR
83E	408409	1		SCREW
83F	433974	1		SCREW, SET
84	433729	1		BASE, MOTOR ASSY.
85	434572	1		SHAFT, MOTOR BAS.PVT.
86	434228	3		SCREW, SET
87	434573	1		MOTOR 115/230 VOLT 1 PHASE, 1 H.P.

ITEM #	PARTS #	QTY.	REQ'D.	DESCRIPTION
88	434574	4		WASHER
89	434575	4		SCREW
90	433671	1		SHEAVE
91	434576	1		SHEAVE
92	433673	1		V-BELT
93	434577	1		GUARD, BELT
94	434578	2		SCREW
95	433685	1		LAMP
96	433674	1		FITTING, RELIEF
97	413281	1		PLUG, PIPE
98	411488	32	OZ	OIL, MOBIL SYNTHETIC GEAR OIL
99	433830	TRACE		STORE-AND-LUBE
100	411478	1	OZ	GREASE #2
101	433727	1		POWER CORD ASSY.
102	433726	1		MOTOR CORD ASSY.
103	433698	1		WIRE, ELECTRICAL
108	433719	7		CLAMP, CABLE 2 SCREW
109	434734	1		CONDUIT, FLEXIBLE
110	434133	10		CONNECTOR, CRIMP-ON
111/112	434132	2		CONNECTOR, CRIMP-ON
113	433818	1		SCREW
114	434402	1		SCREW
115	438054	1		SWITCH, ROTARY
116	433695	1		DECAL, SWITCH
117	433732	1		LABEL, CAUTION
118	433733	1		LABEL, CAUTION
119	433819	1		NAMEPLATE, ACCU IND.
120	434361	1		NAMEPLATE, SERIAL #
121	433633	1		BOLT, T SLOT
122	433777	1		HOLDER, BORING BAR
123	4B4280	1		WASHER
124	433617	1		NUT, HEAVY HEX.
125	433778	1		BORING BAR
126	433780	2		SCREW, SET
127	433763	1		HOLDER, TOOL BIT
128	433771	1		SCREW, SET
129	433717	3		CARBIDE BIT & SCREW
130	434009	1		CAP PLUG
131	433974	4		SCREW, SET
132	434199	1		WAY WIPER ASSY. CTR.
133	434378	1		PATENT NUMBER PLATE
135	436266	1		FAN
137	434700	4		NUT, HEX
138	433994	5	OZ.	GREASE
139	434800	1		PLUG, PUSH IN
170	434320	1		DOVE TAIL, CTR.EXT.
171	434321	2		SCREW
172	434322	1		SWITCH, ACTIV. DOVE TAIL

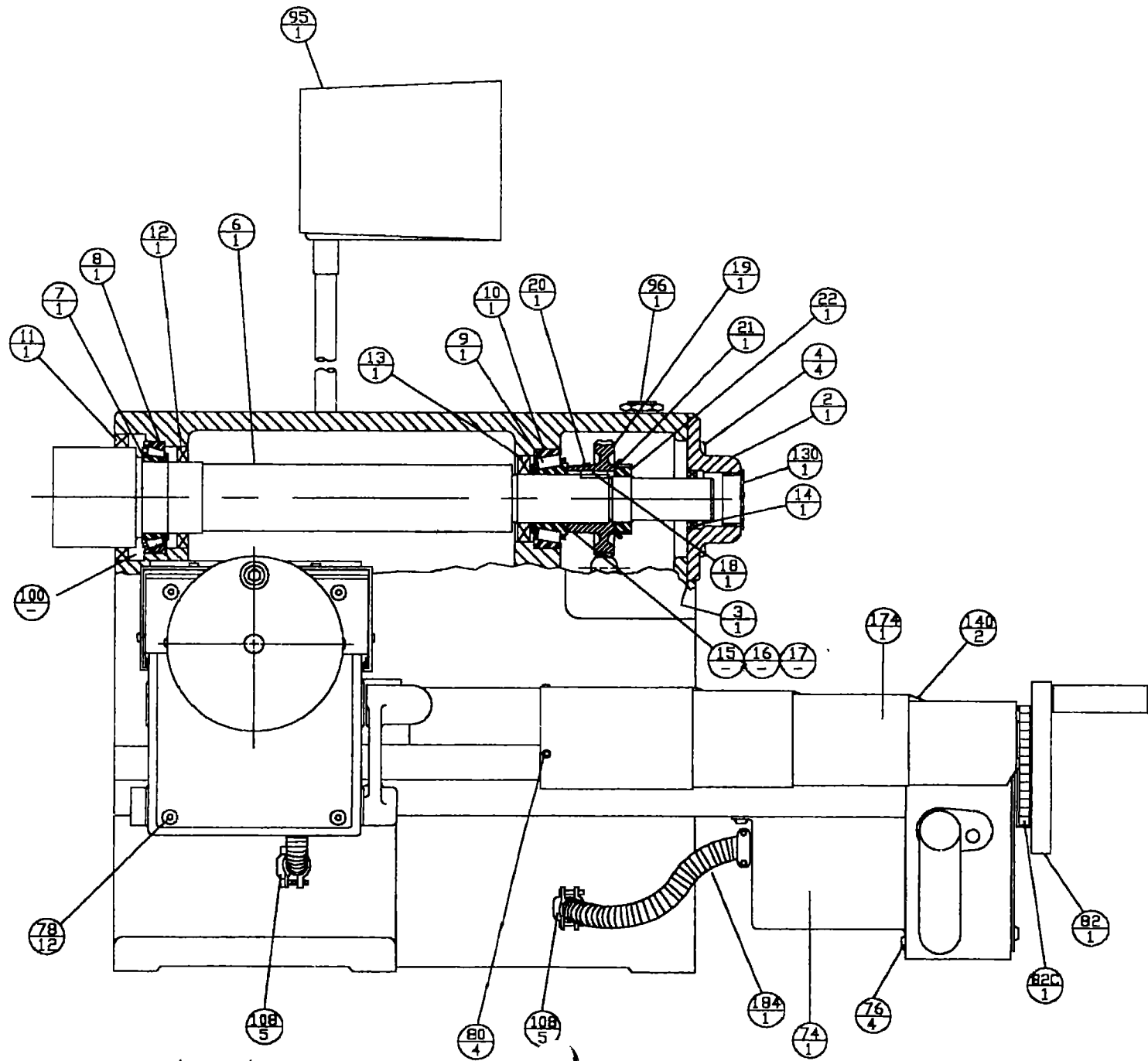
173	-----	434323	-----	2	-----	PIN, SPRING
174	-----	434317	-----	1	-----	TEL.WAY ASSY.
175	-----	434732	-----	1	-----	WIRE ELECTRICAL
176	-----	417555	-----	1	-----	SCREW
177	-----	434383	-----	1	-----	PLUG, BORE
178	-----	434579	-----	1	-----	SHREAVE
179	-----	433625	-----	2	-----	SET COLLAR
180	-----	434581	-----	1	-----	TENSION BAR
181	-----	413294	-----	2	-----	WASHER
182	-----	434582	-----	1	-----	SPRING SELECTOR
183	-----	421427	-----	1	-----	NUT, LOCK
184	-----	434733	-----	1	-----	CONDUIT, FLEX. DRUM WAY

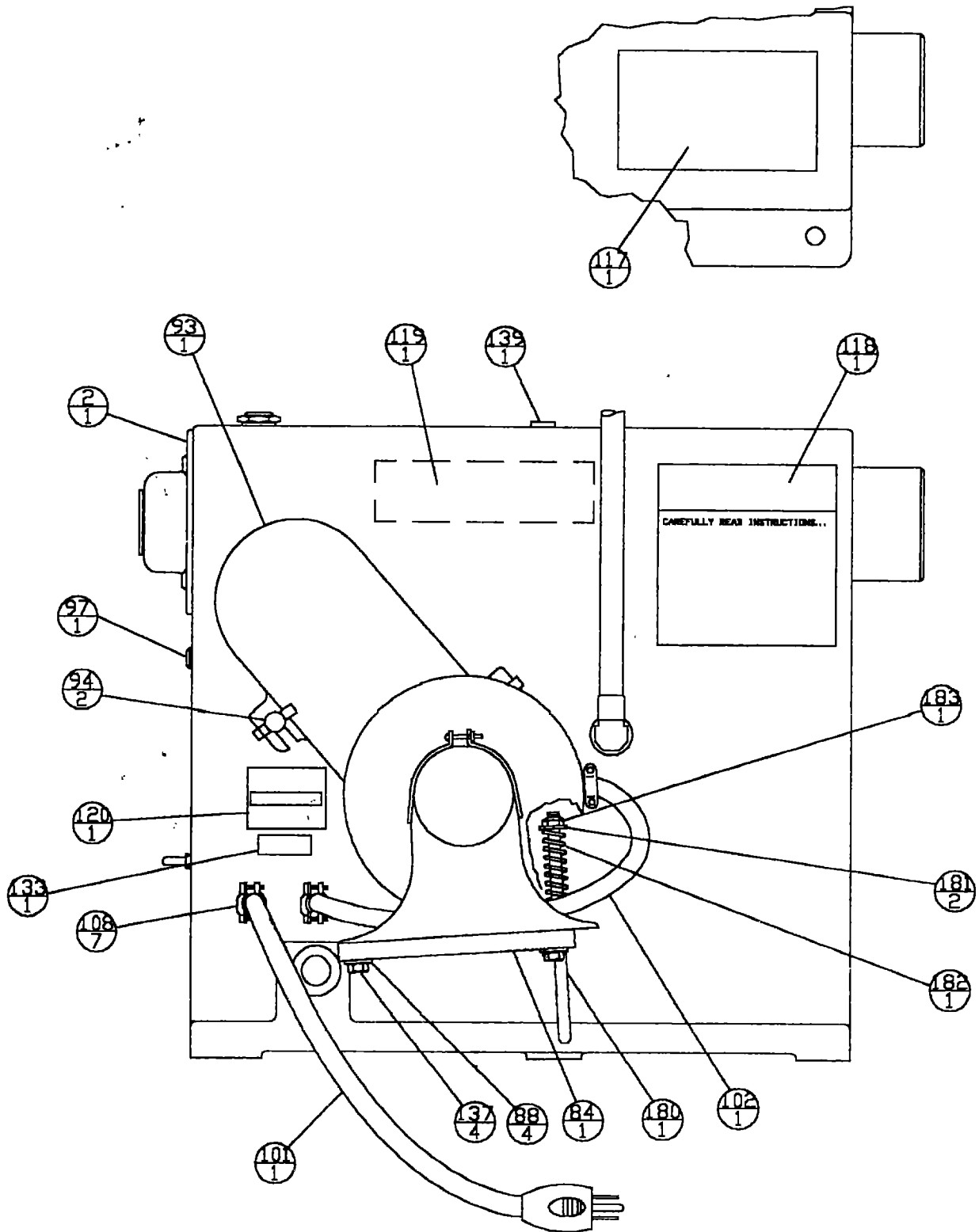
**433750 TWIN CUTTER ASSEMBLY  
PARTS LIST**

ITEM #	PART #	QTY.	REQ'D.	DESCRIPTION
300	433752	1		BASE, ROTOR-TRUER
301	433753	1		BASE, CUTTER TEN. BAR
302	433754	1		BASE, ROTOR-TRUER PTR.
303	433755	1		TOOL HOLDER, R.H.
304	433756	1		TOOL HOLDER, L.H.
305	433757	1		CUTTER TENSION BAR
306	433758	1		POINTER, ROTOR-TRUER
307	433759	1		ADJUSTING WHEEL ROTOR-TRUER
308	433760	2		ADJUSTMENT SCREW
309	433761	2		CALIB. WHEEL R.T.
311	433763	1		TOOL BIT HOLDER R.H.
312	433764	1		TOOL BIT HOLDER L.H.
314	433765	2		SCREW, SHOULDER
315	420212	1		SCREW
316	420211	1		SCREW
317	433766	2		SCREW
318	433767	2		SCREW, THUMB
319	433768	2		WASHER, WAVE
320	420772	2		SCREW, DRIVE
321	433770	1		SPRING, ROTOR-TRUER
322	433771	2		SCREW, SET
323	434738	2		SPRING, BELVILLE
325	4B9806	4		SCREW, SET
326	433773	4		BALL, NYLON
307	436272	1		EXTENDED KNOB

**STANDARD ACCESSORIES**

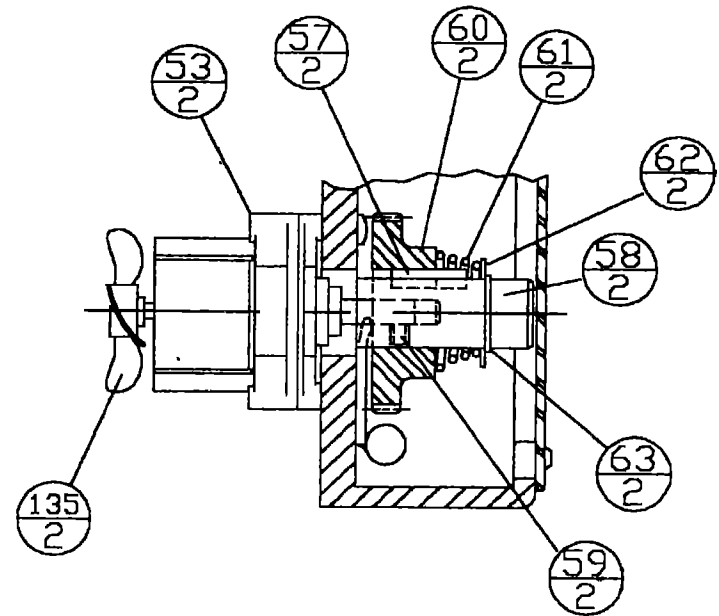
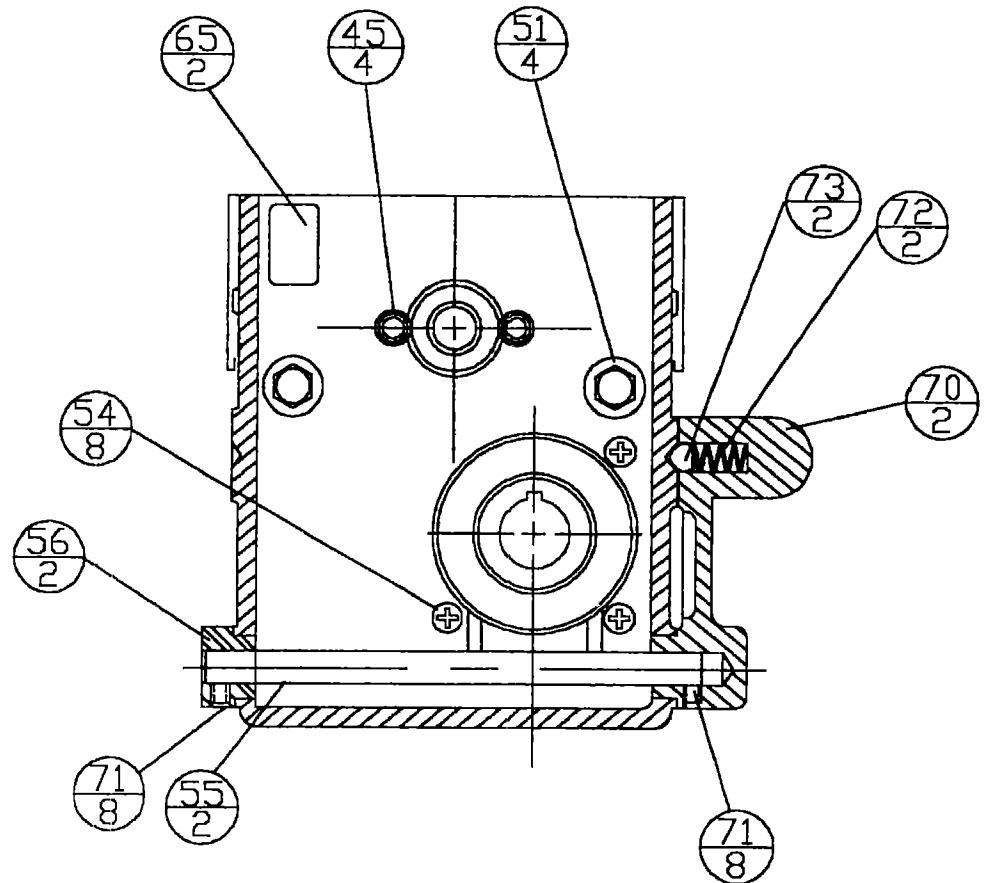
<u>ITEM #</u>	<u>PARTS #</u>	<u>QTY.</u>	<u>REQ'D.</u>	<u>DESCRIPTION</u>
200	433702	1		BAR, DRAW
201	4B4280	2		WASHER
202	433617	2		NUT, HEAVY HEX.
203	433703	2		PLATE, FACE 1
204	433704	2		PLATE, FACE 2
205	433705	1		CENTERING CONE, DRUM #1
206	433706	1		CENTERING CONE, DRUM #2
207	433707	1		CENTERING CONE, DRUM #3
208	433708	1		ADAPTER #1
209	433709	1		ADAPTER #2
210	433710	1		ADAPTER #3
211	433711	1		ADAPTER #4
212	433617	1		NUT, HEAVY, HEX.
213	433712	1		SPACER, ARBOR
214	433715	1		WASHER, ASSY. SELF ALIGNING
215	433713	1		NUT, HEX.
216	433774	1		SPACER
217	433716	1		SPRING, ARBOR
218	433782	1		SILENCER, DRUM
219	433785	1		SILENCER, LG. VENTED ROTOR
220	433789	1		SILENCER, SMALL NON-VENTED ROTOR
221	436410	1		WRENCH, 1 1/2 BOX END
222	433963	1		ADAPTER #5
223	434558	1		WRENCH
224	434559	1		WRENCH
	433750	1		RT GROUP W/TOOL HOLDERS

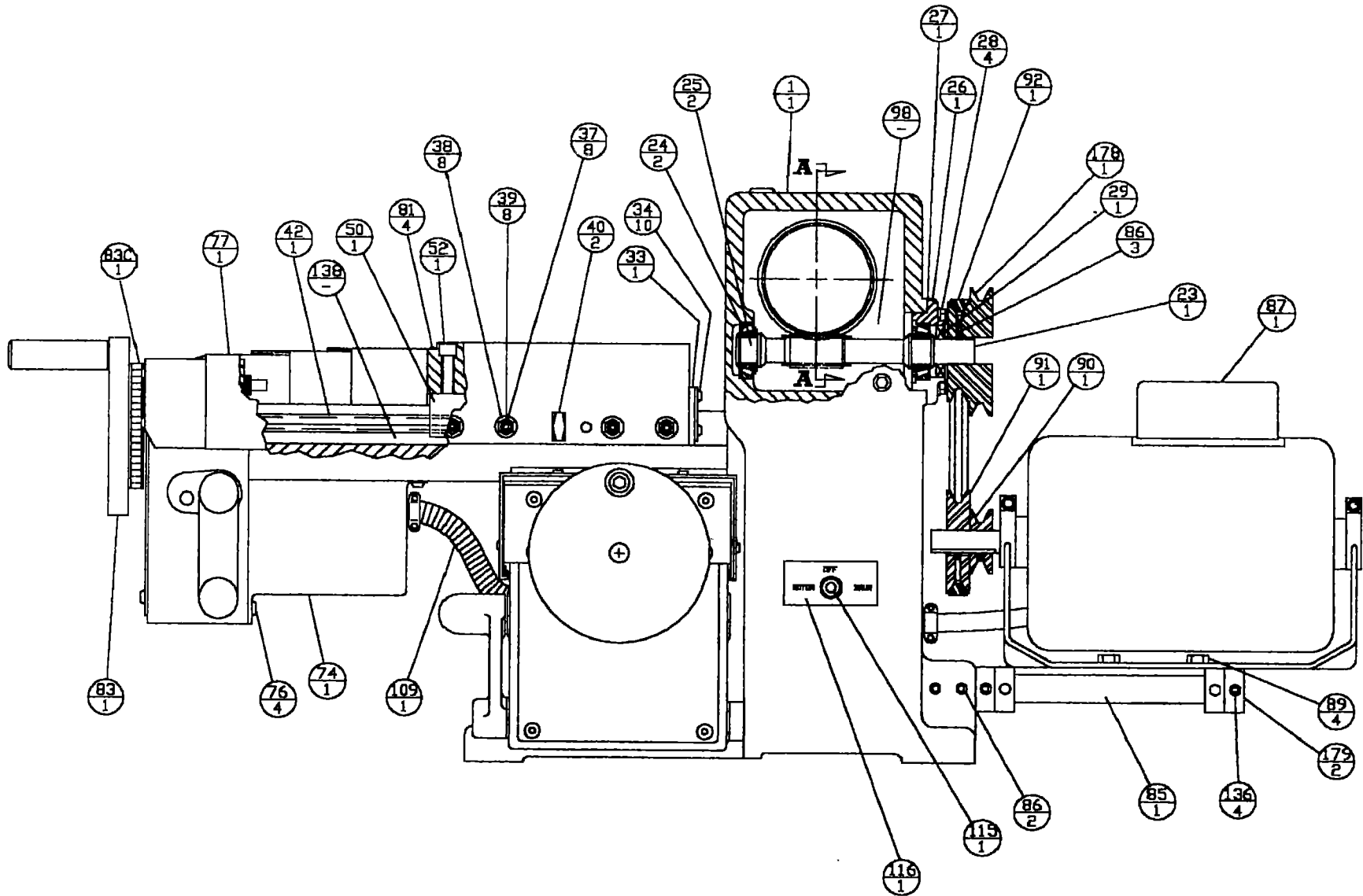




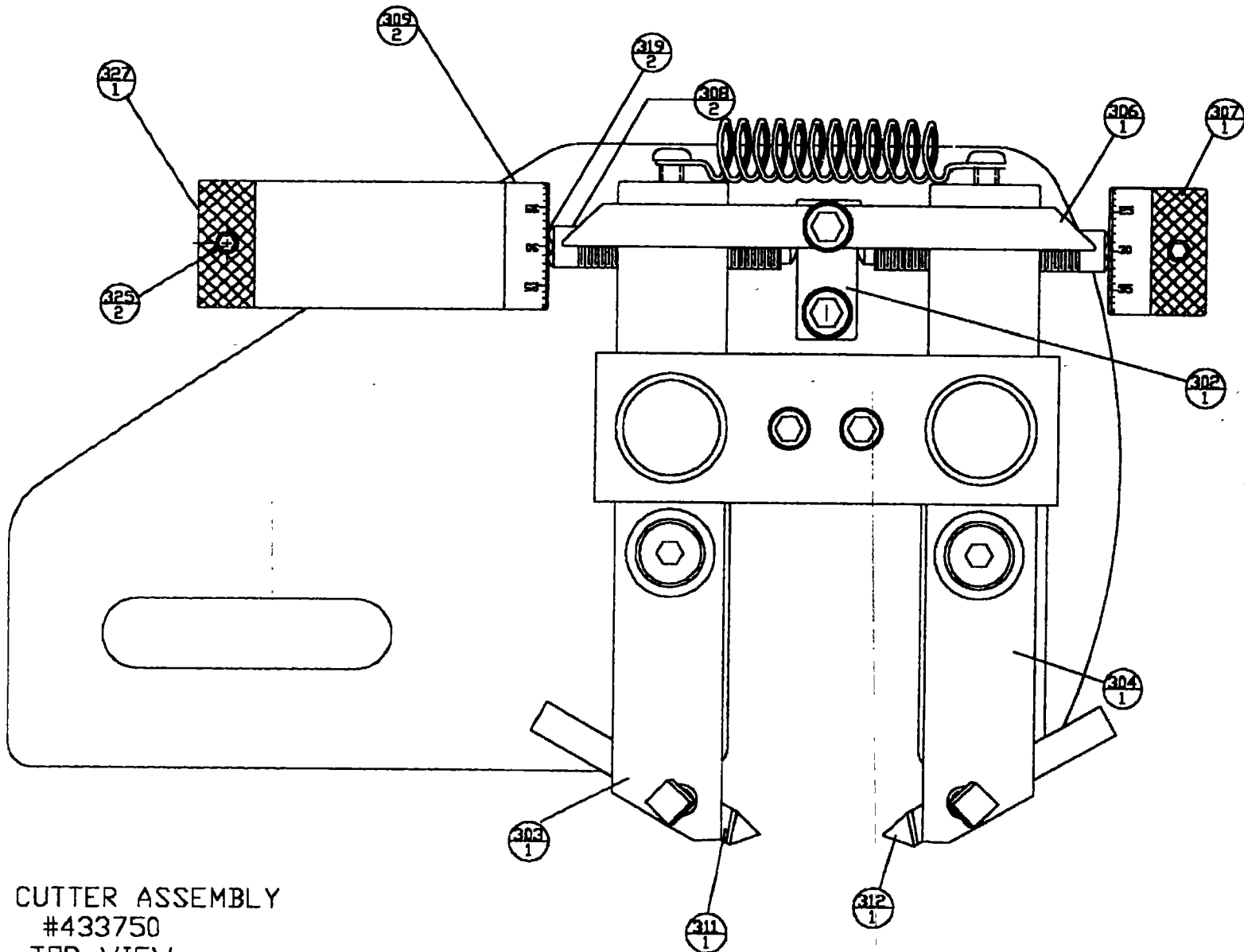
VIEW C-C





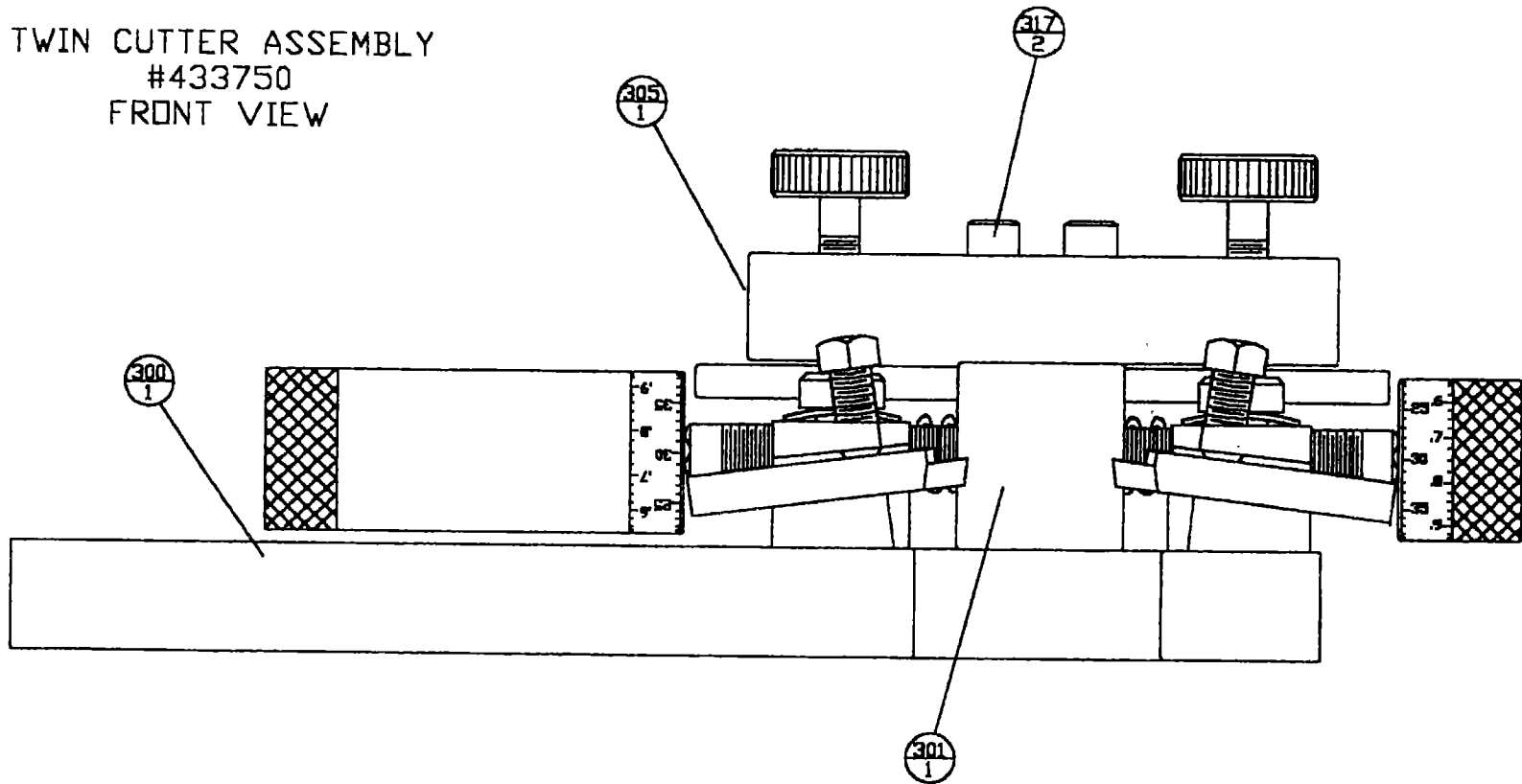


35



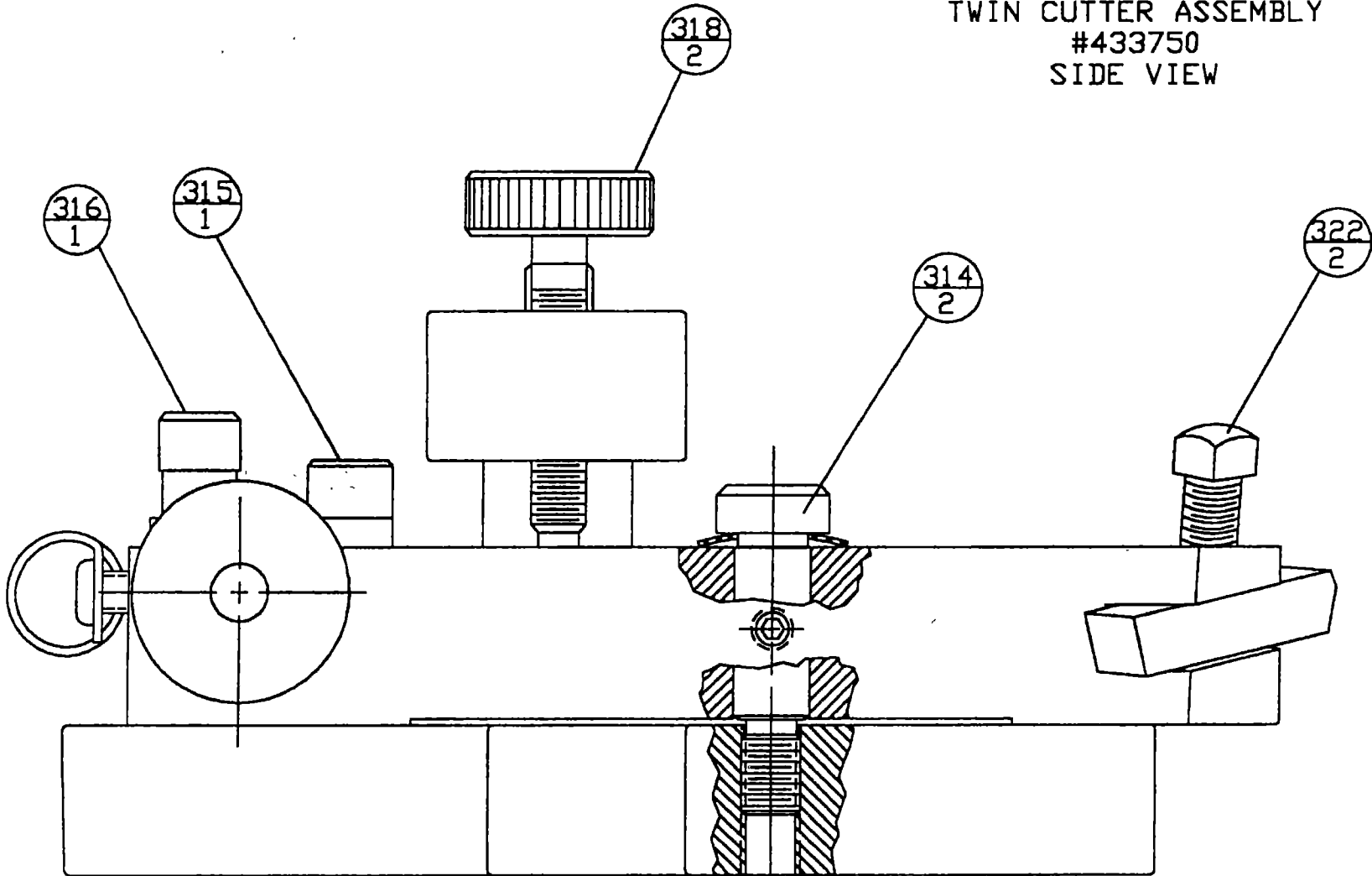
TWIN CUTTER ASSEMBLY  
#433750  
TOP VIEW

TWIN CUTTER ASSEMBLY  
#433750  
FRONT VIEW

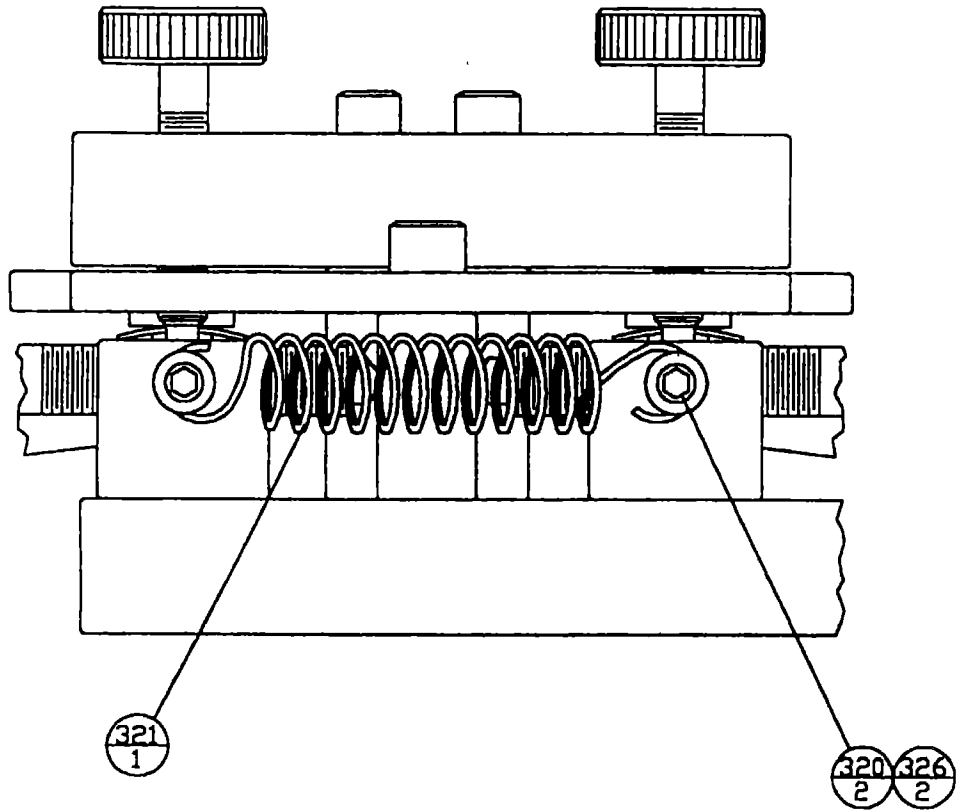


36

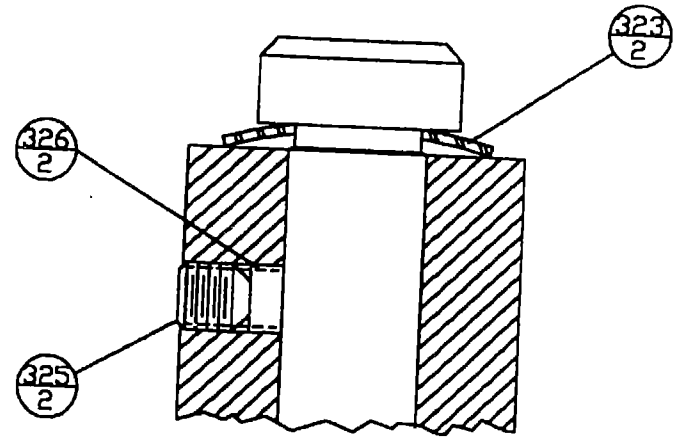
TWIN CUTTER ASSEMBLY  
#433750  
SIDE VIEW



38



TWIN CUTTER ASSEMBLY  
#433750  
REAR VIEW



TOOL BAR PIVOT BOLT

