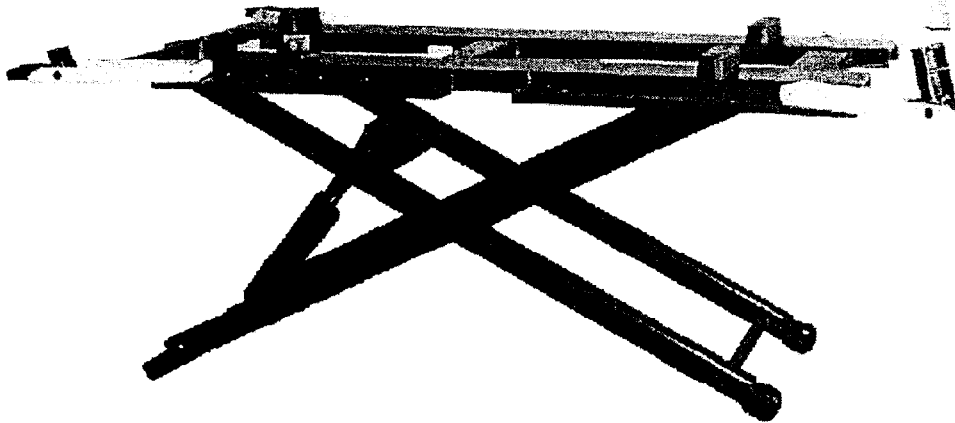


# INSTALLATION and OPERATION MANUAL



**MID RISE**  
MODEL  
AC6000E / AC6000A  
6,000 LB. CAPACITY

**READ and SAVE THIS  
INSTRUCTION MANUAL**



**Accu International, Inc.**

P.O. Box 15540 Richmond, VA 2327  
804-798-8922

[www.accu-turn.com](http://www.accu-turn.com) 1-800-551-2228

MAR 1999 6-2218

<b>TABLE OF CONTENTS</b>	<b>PAGE</b>
<b>1. GENERAL SPECIFICATION</b>	<b>2</b>
<b>2. TOOLS REQUIRED</b>	<b>2</b>
<b>3. SHIPPING CONTENTS</b>	<b>2</b>
<b>4. INSTALLATION INSTRUCTIONS</b>	<b>3</b>
4.1 Unpacking Procedure	
4.2 Assembly Instructions	
4.3 Hydraulic System Installation	
4.4 Hydraulic System Bleeding Procedure	
<b>5. POSITIONING INSTRUCTIONS</b>	<b>4</b>
<b>6. OPERATING INSTRUCTION</b>	<b>5</b>
<b>7. SAFETY INSTRUCTIONS</b>	<b>6</b>
<b>8. MAINTENANCE INSTRUCTIONS</b>	<b>7</b>
8.1 Daily Maintenance	
8.2 Monthly Maintenance	
<b>9. SAFETY AWARENESS</b>	<b>8</b>
<b>10. PARTS MANUAL</b>	<b>9</b>
a. Mid-Rise Main Frame Assembly	<b>10</b>
b. Mid-Rise Main Frame Assembly - Part List	<b>11</b>
c. Hydraulic Cylinder Assembly	<b>12</b>
d. Hydraulic Cylinder - Part List	<b>13</b>
e. Power Pack Tow Cart	<b>14</b>
f. Power Pack Tow Cart - Part List	<b>15</b>
g. Power Pack	<b>16</b>
h. Power Pack - Part List	<b>16</b>
i. Pump Assembly	<b>17</b>
j. Pump Assembly – Part List	<b>17</b>
i. Power Pack Tow Cart Air	<b>18</b>
j. Power Pack Tow Cart Air - Part List	<b>19</b>

## 1. GENERAL SPECIFICATIONS

Maximum Capacity:

Maximum Lift Height:

Down Position Height:

Shipping Weight:

Lift Time 1. Electric Power Pack

2. Air Hydraulic Power Pack

Electric 115 V 3/4 H.P. Motor, 1 PH

Air Motor, 100 P.S.I

Unique Automatic Mechanical Safety Hydraulic Velocity Fuse

6,000 lbs.	2720 kg.
39.5"	1000mm
5"	127mm
950 lbs.	430 kg.
30 seconds	

## 2. TOOLS REQUIRED

7/16" wrench

5/16" wrench

5/8" wrench

Side cutters

## 3. SHIPPING CONTENTS

The complete Mid-Rise Lift series is contained in two (2) packages. The main structure is packaged onto a shipping skid. The main structure comes fully assembled with lifting arms, main rollers and hydraulics. The remaining items come in an accessory box.

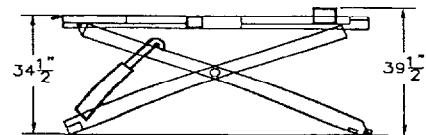
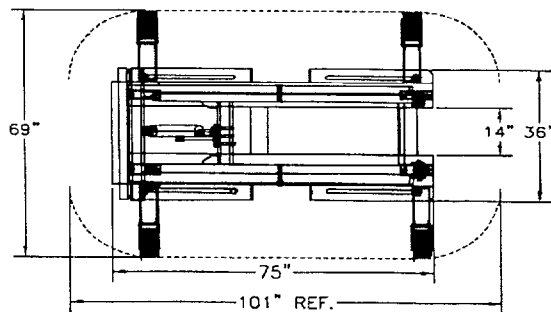
Accessory Box Items:

1 Power Pack Tow Cart (with power pack and wheels)

1 "T" Handle

4 Rubber Lift Blocks

2 Truck Adapters (Optional)



## **4. INSTALLATION INSTRUCTIONS**

When lift arrives on site, please read the owner's manual and check for any freight damages. Also, check the contents to make sure no parts are missing before starting assembly.

### **4.1 UNPACKING PROCEDURE**

Remove the metal strapping from the main structure package and slide the lift off the shipping skid. Open the accessory box and check the contents of the box.

**NOTE: The Power Pack is already installed on the Tow Cart**

### **4.2 ASSEMBLY INSTRUCTIONS**

Install the handle onto the Power Pack Tow Cart. Align the hole and fasten together using the 1/4"-20UNC x 3/4" LG. hex head bolt and washer supplied.

### **4.3 HYDRAULIC SYSTEM INSTALLATION**

1. Add 3 litres of ISO 32 (10 Hydraulic weight) hydraulic oil to the Power Pack.
2. Reinstall the filler breather cap onto the Power Pack.
3. Plug the power pack utility cord into an approved 110 Volt outlet.
4. Install the 1/4" JIC female end of the 12' long hydraulic hose to the outlet fitting on the power pack
5. Connect the female end of the quick coupler to the male end of the quick coupler that is already installed on the short hydraulic hose at the front of the lift.

### **4.4 HYDRAULIC SYSTEM BLEEDING PROCEDURE**

**NOTE: Make certain lift area is clear from debris and any obstructions.**

1. Press the "UP" button on the power pack and raise the lift a few inches off the floor. Check for any hydraulic leaks.  
Lower the lift by pushing on the down control lever on the power pack.
2. Lower completely.
3. Repeat this procedure.
4. Raise the lift to engage the mechanical safety lock.
5. Lower onto safety.
6. Raise the lift up a few inches and the mechanical safety will automatically disengage.
7. Lower lift completely.
8. Cycle the lift up and down completely a few times.
9. The hydraulic system is a self bleeding system.

## 5. POSITIONING INSTRUCTIONS

**NOTE:** Please review ALI safety card attached to tow cart and inspect lift for mechanical fitness before using.

**NOTE:** Lifts must only be installed on “level” concrete floors, with a minimum thickness of five (5) inches. Concrete must have a minimum strength of 4,000 psi, and should be aged 30 days prior to installation and use of the lift in this area.

1. To move, insert the lifting tab of the Power Tow Cart to the lifting bracket on the Mid-Rise. Tilt the cart back and move the Mid-Rise into position in the center of the work area or bay.
2. Remove the Power Tow Cart from the lifting bracket of the Mid-Rise and roll the cart to the front of the bay.
3. Plug the electric utility cord into an approved 110V outlet or an air line to the optional Air Motor.
4. With the lifting arms in the stowed position, in line with the main frame, drive a vehicle over the lift.

**NOTE:** When positioning a vehicle over the lift take time to equalize the load front-to-rear and side-to-side.

**NOTE:** The Mid-Rise lift may be used as a frame contact lift or as a platform lift, depending on the type of vehicle being worked on and the manufacturer recommended lifting points for that vehicle.

**NOTE:** Obstructions hanging down from the vehicle may be damaged when lifting. Always check between the vehicle and the contact points on the lift.

5. When in use as a frame contact lift, slide the lifting arms freely along the length of the arm support to the desired position. The flip up lift pads have three (3) positions, select and position as recommended to contact the correct lifting points for this vehicle.

**NOTE:** Some pickup trucks may require an optional riser adapter to clear running boards or other accessories.

When in use as a platform lift, move the lifting arms into the stowed position, in line with the main frame. Position the four (4) rubber lifting blocks on top ramp of the Mid-Rise.

## 6. OPERATING INSTRUCTIONS

1. Raise the lift by pressing the “UP” button on the front face of the Power Pack Motor.
2. Continue raising the lift until the mechanical safety “CLICKS” into position. Always lower the lift in order to fully engage the mechanical safety lock.

**NOTE:** All Mid-Rise lifts are equipped with dual safety locking devices, one (1) automatic mechanical safety bar, and second, a hydraulic velocity fuse to protect against hydraulic failure.

3. To disengage the safety and lower the lift, first press the “UP” button on the Power Pack Motor to raise the lift off of the mechanical safety. Continue to raise until automatic mechanical safety release device trips.
4. Lower the lift to the fully down position.
5. Reposition the lifting arms to the stowed position and/or remove the rubber lift blocks.
6. Drive the vehicle straight back off the lift.
7. If the Mid-Rise lift will not be used for any given period of time disconnect the hydraulic hose at the quick coupler and unplug the power cord.

**NOTE:** If disconnecting hydraulic hose at disconnect make certain to lower lift completely or to lower lift onto mechanical stop, and relieve all hydraulic pressure in the system.

## 7. SAFETY INSTRUCTIONS

1. Inspect your Mid-Rise lift daily. Do not operate if it malfunctions or has damaged parts.
2. Never attempt to overload the lift. The manufacturer's rated capacity is shown on the serial number tag.
3. Operating controls, **DO NOT OVERRIDE** the automatic safety devices incorporated into the Mid-Rise lift. Press the "UP" button on the front face of the power pack motor to go up. Work on vehicle when the mechanical safety lock on the lift is activated.. To lower, raise the lift up until the automatic safety release device trips, then press down on the control lever.
4. Only trained and authorized personnel should operate the lift. Do not allow customers or bystanders to operate the lift or be in the work area.
5. The Mid-Rise lift is designed for tire, brake, and body work, and is not recommended for under vehicle work. Caution, if this type of work is necessary be safe and use jack stands under all four (4) wheels.
6. Position the lifting arms of rubber lift blocks to contact the vehicle manufacturer's recommended lifting points. Raise the lift until the pads contact the vehicle. Check pads for secure contact with the vehicle, then raise the lift to the mechanical safety working height.
7. Always keep the lift area free of obstruction and debris. Grease and oil spills should be cleaned up immediately.

**NOTE:** When positioning a vehicle over the lift, take time to center the load front-to-rear and side-to-side. The removal or installation of some vehicle parts may cause a critical shift in the center of gravity and may cause the vehicle to become unstable.

8. Before driving on or off the lift make certain that the lift is completely in the down position, the lifting arms are in the stowed position and that the lifting pads are in the down position.

**NOTE: DO NOT ATTEMPT TO OPERATE THE LIFT IF ANY PART IS NOT WORKING PROPERLY OR IF YOU HAVE NOT READ THE COMPLETE OPERATING INSTRUCTION MANUAL.**

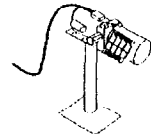

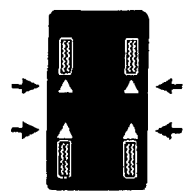
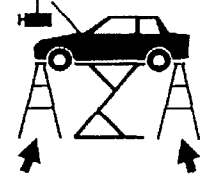
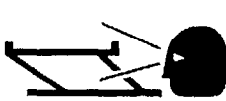
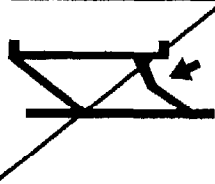
## **8. RECOMMENDED MAINTENANCE MID-RISE**

### **8.1 DAILY MAINTENANCE**

1. Check general operation of lift.
2. Check operation of automatic mechanical safety lock engaging and disengaging.
3. Check condition of floor in roller area for cracks and debris.
4. Check position of hydraulic hose, ensure that a vehicle positioned on the lift or the lift itself will not damage the hose.
5. Check condition of electrical cord before plugging into an approved 110V power supply.

### **8.2 MONTHLY MAINTENANCE**

1. Check all hydraulic hoses, fittings and cylinder for leaks.
2. Check level of oil in power pack reservoir when hoist is in the lowered position. Add more if required.
3. Check and grease all hinge points.
4. Check and lubricate automatic safety release device.
5. Inspect 110V plug end and cable.
6. Inspect rollers on tow cart and main structure.
7. Inspect lift area for debris and concrete condition.

<p><b>CAUTION</b></p>  <p>Lift to be used by trained operator only.</p>	<p>Power Unit: Secure placard near lift controls.</p>  <p>Lift Control Console: Secure placard in an accessible location.</p>	<p>The messages and pictographs shown are generic in nature and are meant to generally represent hazards common to all automotive lifts regardless of specific style.</p> <p>Funding for the development and validation of these labels was provided by the Automotive Lift Institute, PO Box 33116 Indianton, FL 32903.</p> <p>They are protected by copyright. Set of labels may be obtained from ALI or its member companies.</p> <p>© 1992 by ALI, Inc. ALI/PWL300csw</p>
<p><b>CAUTION</b></p>  <p>Authorized personnel only in lift area.</p>	<p><b>CAUTION</b></p>  <p>Use vehicle manufacturer's lift points.</p>	<p><b>CAUTION</b></p>  <p>Always use safety stands when removing or installing heavy components.</p>
<p><b>SAFETY INSTRUCTIONS</b></p>  <p>Read operating and safety manuals before using lift.</p>	<p><b>SAFETY INSTRUCTIONS</b></p>  <p>Proper maintenance and inspection is necessary for safe operation.</p>	<p><b>SAFETY INSTRUCTIONS</b></p>  <p>Do not operate a damaged lift.</p>

## SAFETY WARNING LABELS FOR HINGED FRAME ENGAGING LIFTS

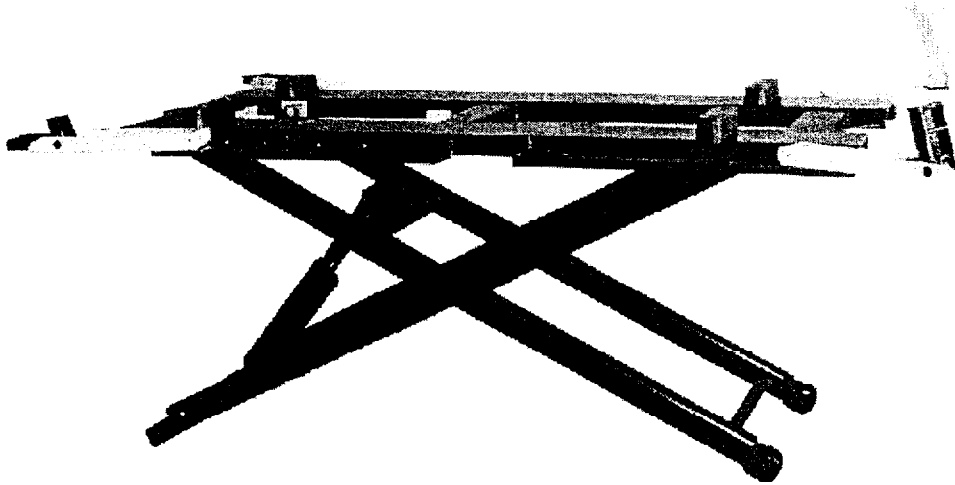
### Lift Owner/User Responsibilities:

- A. This Safety Warning placard **SHALL** be displayed in a conspicuous location in the lift area.
- B. Use one of the mounting arrangements illustrated on back of this placard.
- C. These Safety Warning labels supplement other documents supplied with the lift.
- D. Be certain all lift operators read and understand these labels, operating instructions and other safety related information supplied with the lift.

<p><b>WARNING</b></p>  <p>Position vehicle with center of gravity midway between adapters.</p>	<p><b>WARNING</b></p>  <p>Remain clear of lift when raising or lowering vehicle.</p>	<p><b>WARNING</b></p>  <p>Keep feet clear of lift while lowering.</p>
<p><b>WARNING</b></p>  <p>Clear area if vehicle is in danger of falling.</p>	<p><b>WARNING</b></p>  <p>Avoid excessive rocking of vehicle while on lift.</p>	<p><b>WARNING</b></p>  <p>Keep clear of pinch points when lift is moving.</p>



## **PARTS MANUAL and EXPLODED VIEWS**



**MID RISE**

MODEL

AC6000E / AC6000A

6,000 LB. CAPACITY

**READ and SAVE THIS  
INSTRUCTION MANUAL**



**Accu International, Inc.**

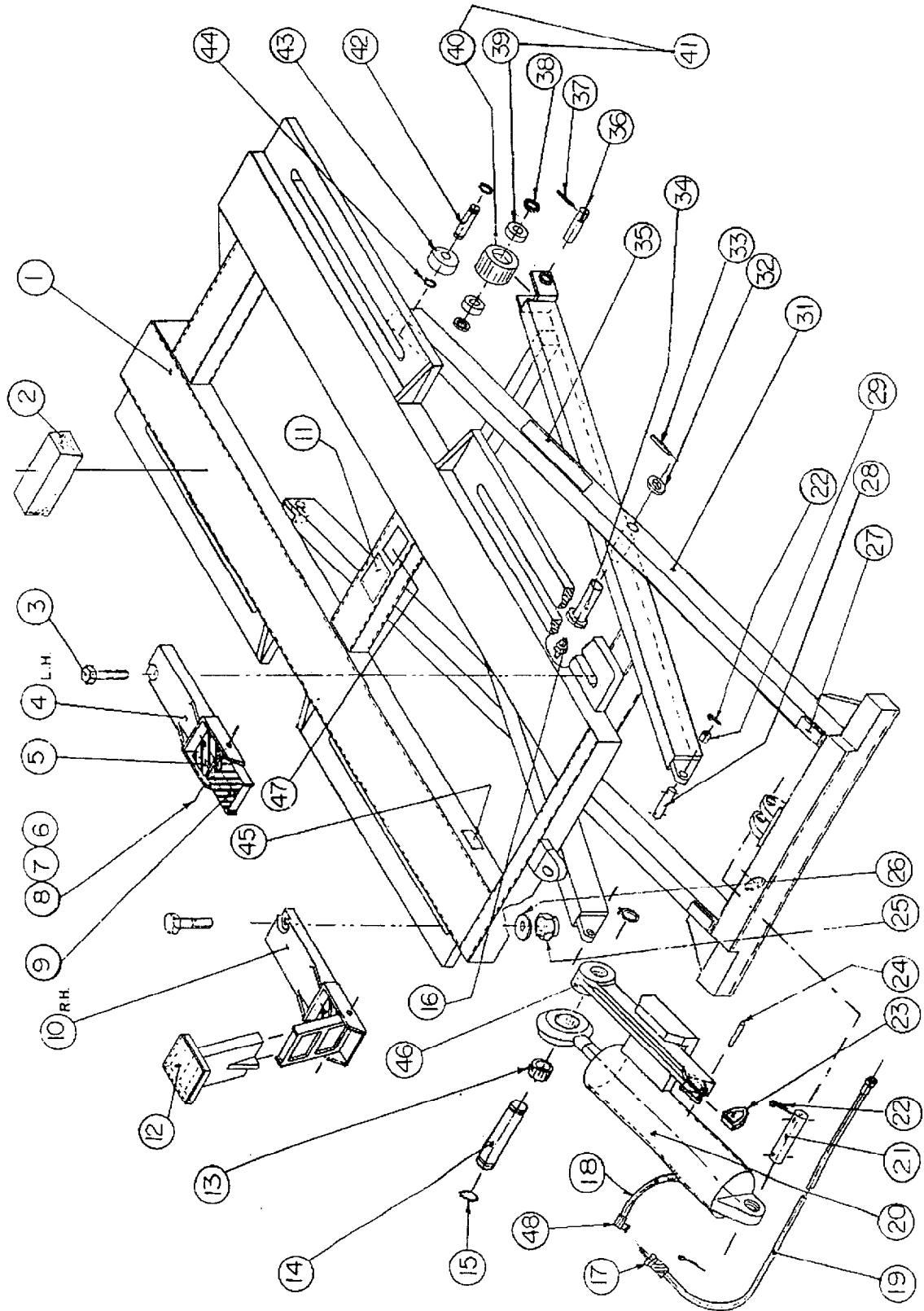
P.O. Box 15540 Richmond, VA 2327

804-798-8922

[www.accu-turn.com](http://www.accu-turn.com) 1-800-551-2228

MAR 1999 6-2218

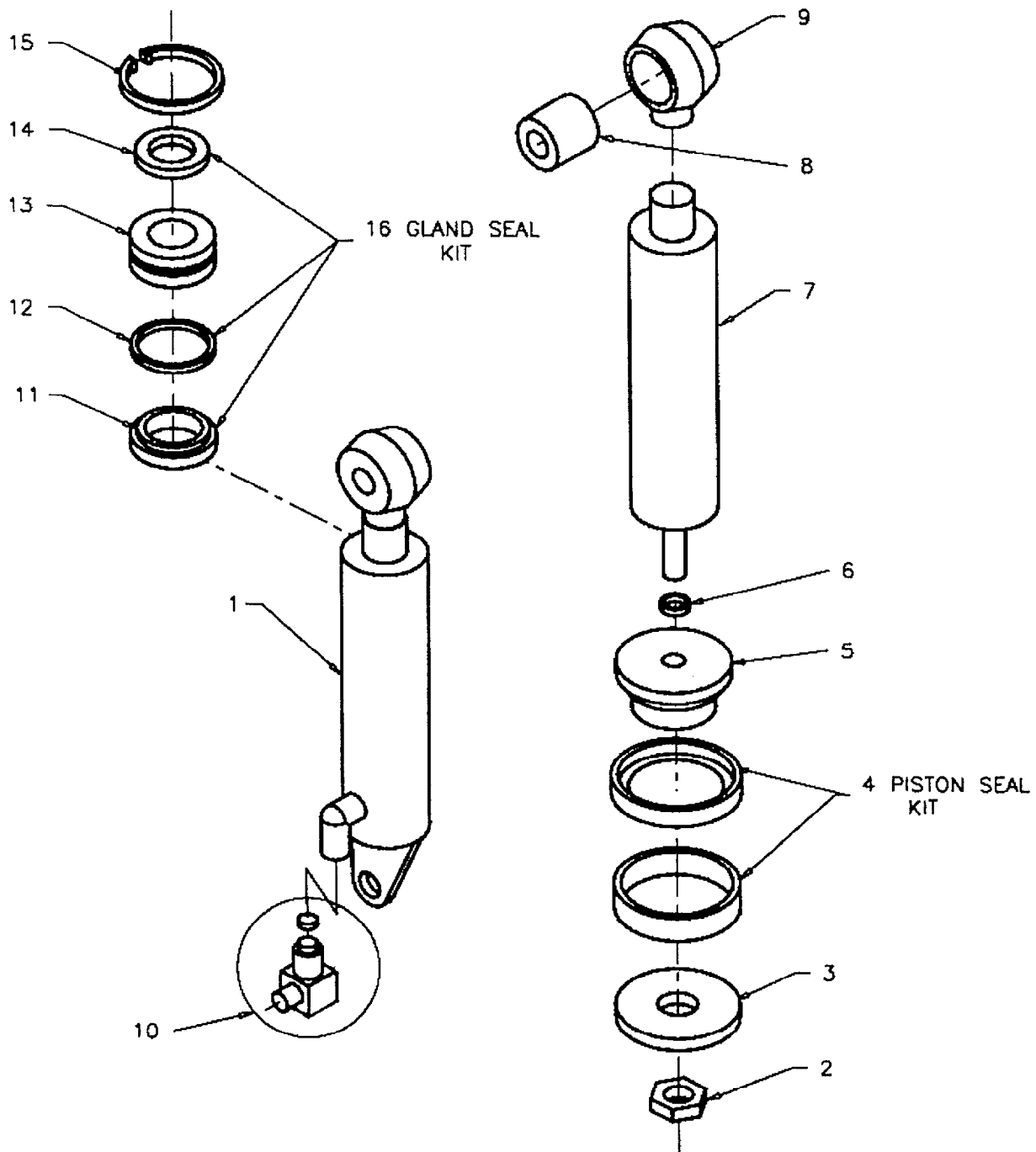
# MID-RISE MAIN FRAME ASSEMBLY



## MID-RISE MAIN FRAME ASSEMBLY - PARTS LIST

ITEM NO.	QTY.	DESCRIPTION	PART NO.
1	1	TOP RAMP ASSEMBLY	4-0200
2	4	RUBBER BLOCK	6-1074
3	4	ARM BOLT	1-1076
4	2	ARM ASSEMBLY L.H.	2-0835
5	4	LOW ADAPTER	2-0532
6	4	CENTER PIN	1-0841
7	4	FLAT WASHER 1/2" I.D.	6-0063
8	4	COTTER PIN 1/8" X 1" LG.	6-0267
9	4	HIGH STEP ADAPTER	3-0342
10	2	ARM ASSEMBLY R.H.	2-0834
11	1	SERIAL PLATE	6-0763
12	2	TRUCK PAD ADAPTER (OPTIONAL)	2-0603
13	1	BUSHING	6-0976
14	1	SHAFT CYLINDER MOUNT	1-0814
15	2	CIRCLIP	6-0340
16	3	GREASE NIPPLE	6-0000
17	1	QUICK CONNECTOR SET	6-0761
18	1	HYDRAULIC HOSE 19" LG.	1-0858
19	1	HYDRAULIC HOSE 12 FT LG.	2-0602
20	1	HYDRAULIC CYLINDER ASSEMBLY	4-0199
21	1	CYLINDER PIN	1-0861
22	6	COTTER PIN 1/8"-1 1/2" LG.	6-0978
23	1	OVERRIDE SAFETY CAM	2-0819
24	1	SPRING PIN 1/4" X 1 1/2" LG.	6-0745
25	4	UNI-TORQUE LOCK NUT 1"-8UNC	1-1385
26	4	FLAT WASHER 1" I.D.	6-1106
27	4	NEOPRENE STRIP	6-0993
28	2	HINGE PIN	1-0857
29	2	BUSHING	6-0795
31	1	SCISSOR ASSEMBLY	4-0203
32	2	KEEPER WASHER	1-0725
33	2	SPRING PIN 3/16" X 2" LG.	6-0146
34	2	SCISSOR PIN	1-0838
35	1	DECAL	6-0762
36	2	PIN	1-0837
37	2	SPRING PIN 3/16" X 1 1/4" LG.	6-0749
38	4	WASHER 7/8" I.D.	6-0725
39	4	BEARING	6-0751
40	2	ROLLER	1-0807
41	1	ROLLER ASSEMBLY KIT	0-0191
42	2	TRACK ROLLER SHAFT	1-0823
43	2	TRACK ROLLER (UPPER)	6-0750
44	4	CIRCLIP	6-0752
45	1	ALI PLATE	6-0398
46	1	SAFETY LOCK MECHANISM	3-0352
47	1	ETL/ALI STICKER	6-0996
48	1	90° ELBOW 3/8" NPT M. x 3/8" NPT F.	6-1380

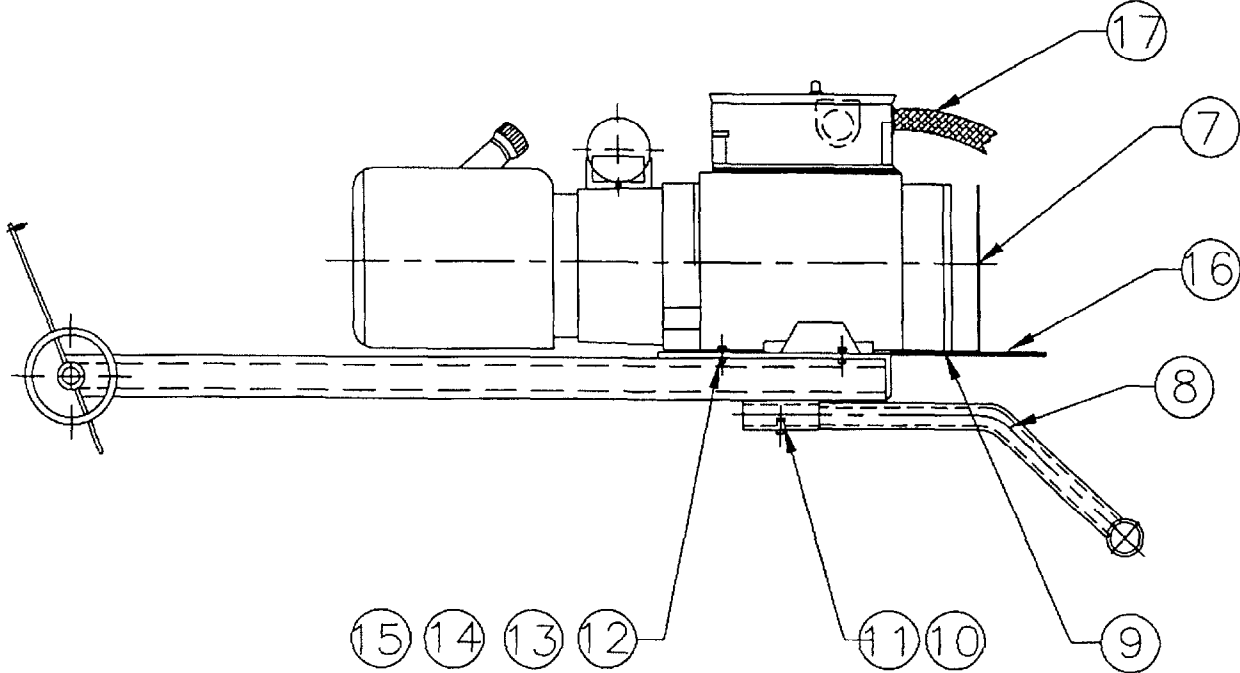
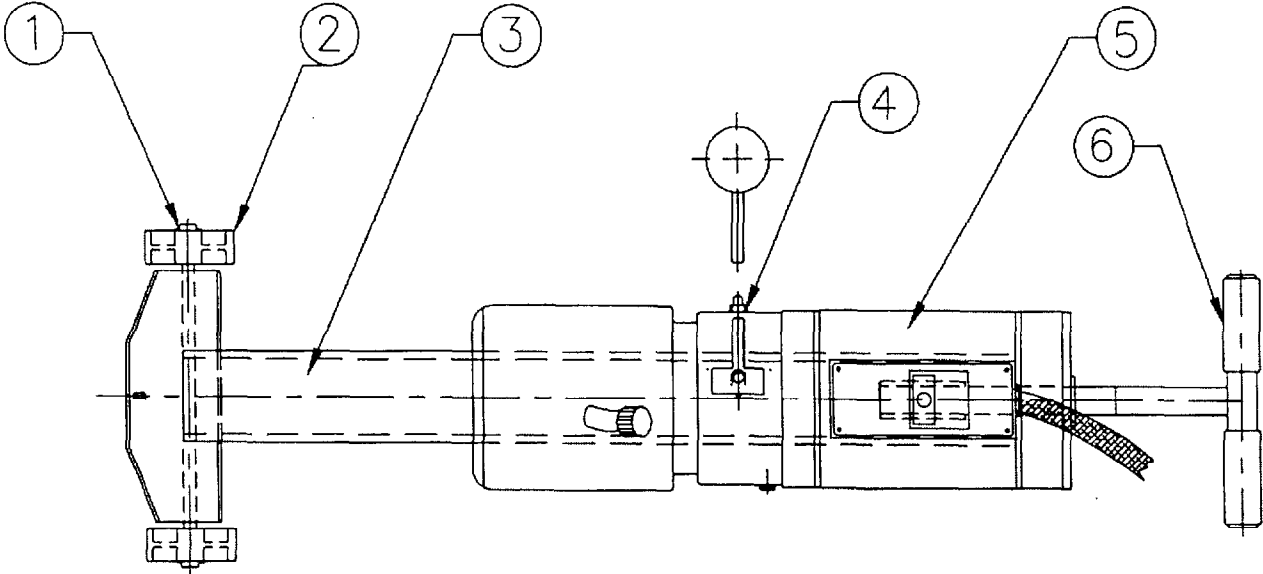
# HYDRAULIC CYLINDER ASSEMBLY



## HYDRAULIC CYLINDER ASSEMBLY - PARTS LIST

ITEM NO.	QTY.	DESCRIPTION	PART NO.
1	1	CYLINDER TUBE WELDMENT	3-0350
2	1	7/8"-9UNC HEX LOCKNUT	6-0631
3	1	WASHER, 7/8" I.D.	1-0809
4	1	PISTON SEAL KIT	0-0181
5	1	PISTON	2-0586
6	1	"O" RING	6-0656
7	1	PISTON ROD	2-0832
8	1	BEARING	6-0976
9	1	ROD CLEVIS	2-0833
10	1	90° VELOCITY FUSE ASS'Y	1-1726
11	1	ROD SEAL	6-0754
12	1	"O" RING	6-0756
13	1	GLAND	2-0587
14	1	WIPER	6-0001
15	1	CIRCLIP	6-0755
16	1	GLAND SEAL KIT	0-0183

POWER PACK TOW CART

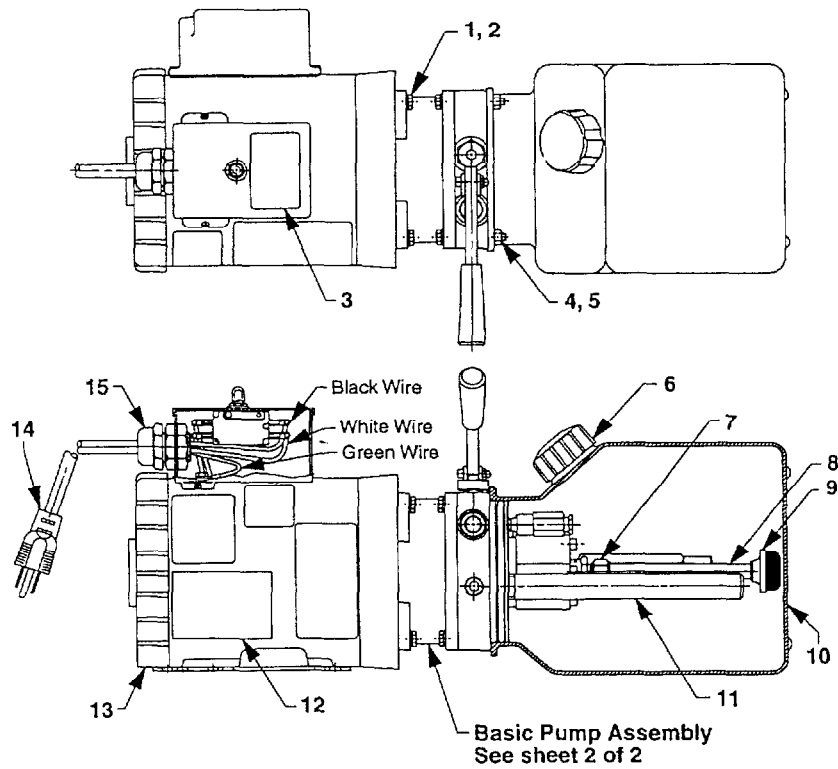


## POWER PACK TOW CART - PARTS LIST

ITEM NO.	QTY.	DESCRIPTION	PART NO.
1	2	HUB CAP NUT	6-1833
2	2	WHEEL	6-0753
3	1	STAND WELDING	4-0207
4	1	ADAPTER-MACHINED W/ ORIFICES (.035"DIA)	1-1063
5	1	POWER PACK 115/230V 1PH 60HZ 3/4 HP*	6-1662
6	2	GRIP HANDLE	6-0758
7	1	DECAL "OPERATING INSTRUCTIONS"	6-0759
8	1	"T" HANDLE	3-0408
9	1	BRACKET	1-0853
10	1	HEX BOLT 1/4"-20UNC X 3/4" LG.	6-0178
11	1	LOCKWASHER 1/4" I.D.	6-0056
12	4	HEX BOLT 5/16"-18UNC X 3/4" LG.	6-0423
13	4	LOCKWASHER 5/16" I.D.	6-0674
14	4	FLAT WASHER 5/16" I.D.	6-0295
15	4	HEX NUT 5/16"-18UNC	6-0294
16	1	ALI PLACARD	6-0990
17	1	PLUG	6-1711
*	1	COMPLETE TOWCART W/ ELECTRIC POWER PACK	4-0206
**	1	COMPLETE TOWCART ASS'Y	4-0644

-SEE NEXT PAGE FOR THE POWER PACK ASSEMBLY

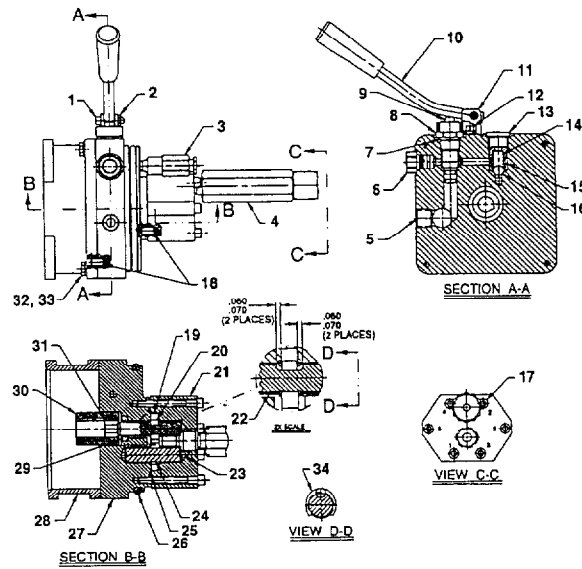
## POWER PACK



## POWER PACK - PARTS LIST

ITEM NO.	QTY.	DESCRIPTION	PART NO.
1	4	CAP SCREW (3/8"-16 x 7/8" LG.)	6-1698
2	4	LOCKWASHER	6-1699
3	1	CONTROLS DECAL	6-1700
4	4	HEX NUT (1/4-20)	6-1701
5	4	STUD	6-1702
6	1	FILLER BREATHER CAP	6-1703
7	1	STRAIGHT FITTING	6-1704
8	1	INTAKE TUBE	6-1705
9	1	SUCTION STRAINER	6-1706
10	1	ONE GALLON RESERVOIR	6-1707
11	1	DRAIN TUBE	6-1708
12	1	WARNING DECAL	6-1709
13	1	ELECTRIC MOTOR (115/230 V, 60/50 Hz.)	6-1710
14	1	CORD (8' LG; 115 V 14/3 SJO)	6-1711
15	1	STRAIN RELIEF BUSHING	6-1712

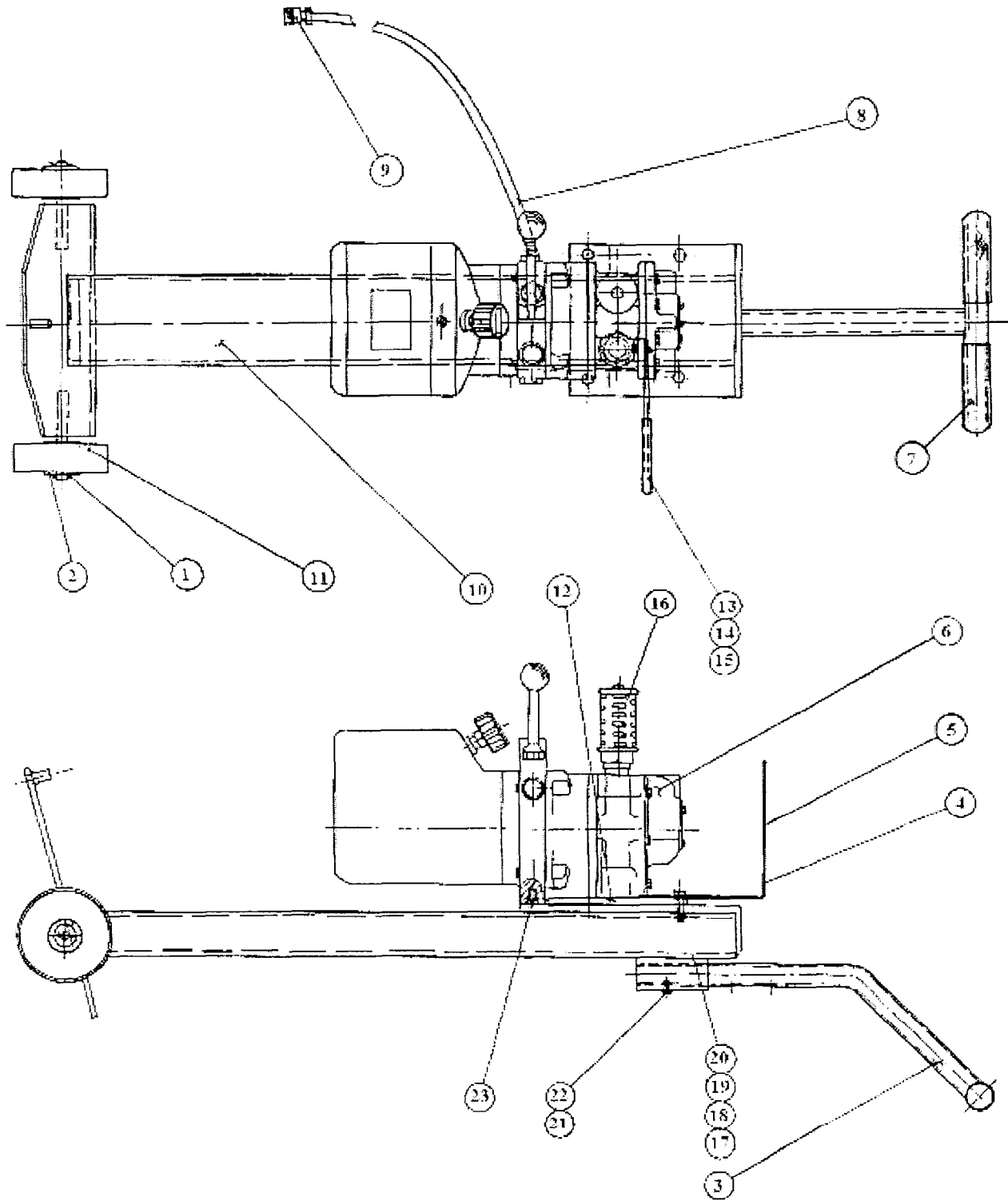
## PUMP ASSEMBLY



### PUMP ASSEMBLY - PARTS LIST

ITEM NO.	QTY.	DESCRIPTION	PART NO.
1	1	CAP SCREW (10-24 x 7/8" LG.)	6-1713
2	1	HEX LOCKNUT (10-24)	6-1714
3	1	RELIEF VALVE ASSEMBLY (SET AT 3,300/3,700 PSI)	6-1715
4	1	SOFT START VALVE	6-1716
5	1	PLUG FITTING (3/8 NPT-F)	6-1717
6	1	PLUG FITTING (9/16-18 PLASTIC)	6-1718
7	1	O-RING (0.81 x 0.64)	6-1719
8	1	RELEASE VALVE CAP	6-1720
9	1	RELEASE VALVE	6-1721
10	1	HANDLE (INCLUDES KNOBS)	6-1722
11	1	MOUNTING BRACKET	6-1723
12	1	CAP SCREW (10-32 x 3/8 LG.)	6-1724
13	1	PLUG FITTING (1/2 TUBE)	6-1725
14	1	COMPRESSION SPRING (0.37 O.D. x 0.75 x 0.03 WS)	6-1726
15	1	SPRING GUIDE	6-1727
16	1	STEEL BALL (3/8" DIA)	6-1728
17	6	CAP SCREW (1/4-20 x 2 1/4 LG.)	6-1729
18	4	DOWEL PIN	6-1730
19	2	GEAR	6-1731
20	1	KEY	6-1732
21	1	BODY	6-1733
22	4	SLEEVE BEARING	6-1734
23	2	STEEL BALL (3/16 DIA.)	6-1735
24	1	SHAFT	6-1736
25	1	O-RING (2.250" x 2.062)	6-1737
26	1	O-RING (4.750" x 4.375")	6-1738
27	1	VALVE BODY	6-1739
28	1	MOTOR BASE ADAPTER	6-1740
29	1	OIL SHAFT SEAL	6-1741
30	1	COUPLING	6-1742
31	1	SHAFT	6-1743
32	4	CAP SCREW (1/4-20 x 3/4 LG.)	6-1744
33	4	PLAIN WASHER	6-1745
34	2	EXTERNAL RETAINING RING	6-1746

# AIR POWER PACK TOW CART



## AIR POWER PACK TOW CART - PARTS LIST

ITEM NO.	QTY	DESCRIPTION	PART NO.
1	2	1/2" PUSHNUT	6-1833
3	1	"T" HANDLE	3-0408
4	1	BRACKET	1-0853
5	1	DECAL "OPERATING INSTRUCTIONS"	6-0759
6	1	AIR HYDRAULIC PUMP "AC-10TC UTILIZING VA-4S VENE AIR MOTOR"	6-0919
7	2	GRIP HANDLE	6-0758
8	1	HYDRAULIC HOSE - 12FT.	2-0602
9	1	QUICK CONNECTOR SET	6-0761
10	1	STAND	4-0207
11	2	WHEEL	6-0753
12	1	MOTOR MOUNT BRACKET	2-0739
13	1	BALL VALVE	6-0940
14	1	3/8" STEEL NIPPLE	6-0953
15	1	REDUCER 3/4" M PIPE/ 3/8" F PIPE	6-0285
16	1	EXHAUST MUFFLER	6-0958
17	4	LOCKWASHER 5/16" I.D.	6-0674
18	4	HEX BOLT 5/16"-18UNC X 3/4" LG.	6-0423
19	4	FLAT WASHER 5/16" I.D.	6-0295
20	2	HEX. NUT 5/16"-18UNC	6-0294
21	1	HEX BOLT 1/4"-20UNC X 3/4" LG.	6-0178
22	1	LOCKWASHER 1/4" I.D.	6-0056
23	1	FLAT HD. SCREW - 3/8" - 16 x 1/2" LG.	6-0955
*	1	COMPLETE TOWCART W/ AIR POWER PACK	4-0274
**	1	COMPLETE TOWCART ASS'Y	4-0645