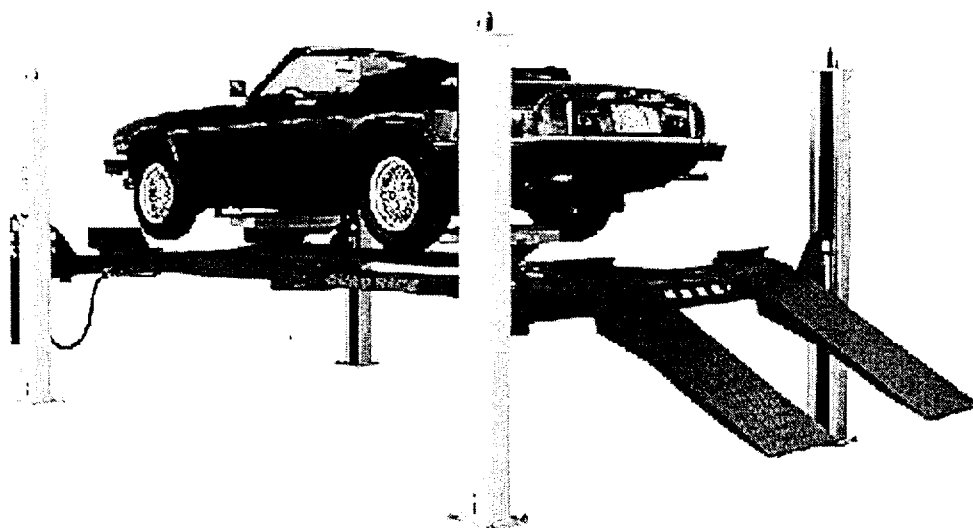




# INSTALLATION and OPERATION MANUAL



**4-POST  
Model AC12405FM/  
AC12406  
12000 LB.**



**READ and SAVE THIS  
INSTRUCTION MANUAL**

 **Accu International, Inc.**

P.O. Box 15540 Richmond, VA 2327  
804-798-8922  
[www.accu-turn.com](http://www.accu-turn.com) 1-800-551-2228

MAR. 2000 6-2207

## **THE FOLLOWING APPLIES TO LIFTS**

### **IMPORTANT SAFETY INSTRUCTIONS**

1. Read all instructions.
2. Care must be taken as burns can occur from touching hot parts.
3. Do not operate the lift with a damaged cord or if the lift has been damaged - until it has been examined by a qualified service person.
4. Do not let cord hang over edge of table, counter or come in contact with hot manifolds or moving parts.
5. If an extension cord is necessary, a cord with a current rating equal to or more than that of the lift should be used. Cords rated for less amperage than the lift may overheat. Care should be taken to arrange the cord so that it will not be tripped over or pulled.
6. Always unplug equipment from electrical outlet when not in use. Never use the cord to pull plug from the outlet. Grasp plug and pull to disconnect.
7. To protect against the risk of fire, do not operate lift in the vicinity of open containers of flammable liquids.
8. Adequate ventilation should be provided when working on internal combustion engines.

***SAVE THESE INSTRUCTIONS***

<b>TABLE OF CONTENTS</b>	<b>PAGE</b>
<b>1. SPECIFICATIONS</b>	<b>3</b>
<b>2. TOOLS REQUIRED</b>	<b>3</b>
<b>3. CONTENTS</b>	<b>4</b>
<b>4. INSTALLATION INSTRUCTIONS</b>	<b>6</b>
4.1 Chalk Line Layout	6
4.2 Front and Rear Crossmember Identification	8
4.3 Sheaves Installation	9
4.4 Cable Installation	10
4.5 Power Pack Installation	12
4.6 Electrical Connection	13
4.7 Hydraulic Installation	14
4.8 Air Installation	14
4.9 Leveling Procedure Cables	15
4.10 Anchor Installation	17
4.11 Leveling Procedure Safety Ladders	18
<b>5. SAFETY AND OPERATING INSTRUCTIONS</b>	<b>19</b>
<b>6. MAINTENANCE INSTRUCTIONS</b>	<b>20</b>
<b>7. PARTS MANUAL</b>	<b>21</b>
a. Lift Assembly	22
b. Lift Part List	23
c. Hydraulic and Air Kits	26
d. Hydraulic and Air Kits Part List	27
e. Cable Routing Diagram	28
f. Cable Routing Part List	29
g. Power Pack	30
h. Power Pack Part List	31

## 1. SPECIFICATIONS

Maximum Capacity:	12000 lbs.	5443 kg
Overall Length:	266"	6756mm
Overall Width:	137"	3480mm
Down Position Height:	9.5"	241mm
Maximum Lifting Height:	71"	1803mm
Maximum Wheel Base:	172"	4369mm
Power Requirements:	230 Volts AC, 1Ph., 20 Amp, 60Hz.	
Shipping Weight:	3650 lbs.	1656kg

**CHECK CONTENTS OF ACCESSORY BOX WITH THE PACKING LIST ENCLOSED**

## 2. TOOLS REQUIRED FOR INSTALLATION

ROTARY HAMMER DRILL  
3/4" CONCRETE DRILL BIT  
SOCKET FOR TIGHTENING ANCHORS  
4' LEVEL  
HAMMER (for anchor installation)  
PRY BAR (for shim installation)  
CHALK LINE (lift location)  
FISH (mechanics wire to feed cable through crossmember assembly)  
TAPE MEASURE  
ELECTRICAL TAPE  
STEP LADDER (adjusting cables and/or safety ladder in posts)  
SIDE CUTTERS (for cutting shipping straps)  
BAR (4' long)  
4 WORK STANDS (set up)  
STANDARD SOCKETS AND WRENCHES

**IMPORTANT: It is the user's responsibility to provide a satisfactory installation area for the lift. Lifts should only be installed on level concrete floors with a minimum thickness of five (5) inches or 130 mm. Concrete must have a minimum strength of 4000 psi or 30 MPa and should be aged thirty (30) days prior to installation. Please consult the architect, contractor or engineer if doubt exists as to the strength and feasibility of the floor to enable proper lift installation and operation.**

**It is the user's responsibility to provide all wiring for electrical hook-up prior to installation and to insure that the electrical installation conforms to local building codes. Where required, it is the user's responsibility to provide an electrical isolation switch located in close proximity to the lift that will enable emergency stop capability and isolate electrical power from the lift for any servicing requirements.**

### **3. CONTENTS**

The lift is packaged to protect from any damage that may occur in shipping. The two deck assemblies and crossmembers are packaged together with the accessory boxes strapped to them.

#### **Main Structural Components:**

- 1 - Left Side Deck Assembly (complete with hydraulic cylinder)
- 1 - Right Side Deck Assembly
- 1 - Front Crossmember Assembly (with air cylinder release locks and sheaves)
- 1 - Rear Crossmember Assembly (with air cylinder release locks and sheaves)

#### **Accessory Box Components**

##### **Box 1 Contents:**

- 1 - Power Post (with safety ladder)
- 3 - Post (with safety ladder)

##### **Box 2 Contents:**

- 1 - Power Pack Assembly complete with Flow Control
- 2 - Approach Ramps
- 7 - Sheave Assemblies
- 1 - Set of Cables (set contains 4 cables with nuts and spacers)
- 7 - Sheave Spacers (different sizes)
- 2 - Front Wheel Stops
- 2 - Ramp Pins
- 4 - Deck Sheave Pins
- 1 - Air Kit (with 1/4" and 3/8" polytube and fittings)
- 1 - Hydraulic Hose (with fittings)
- 1 - Hose Guard
- 4 - Sheave Covers
- 3 - Cable Tie (for attachment of hydraulic hose to cylinder)
- 2 - Recoiled Air Hoses 12' long
- 1 - Coupler 1/4" NPT
- 1 - Package of Hardware (with its own packaging list)
- 1 - Owner's manual
- 1 - ALI manual "Lifting It Right"
- 1 - Automotive Lift Safety Tips
- 1 - Automotive Lift, Operation, Inspection and Maintenance manual

# GENERAL LIFT SPECIFICATIONS

MODEL 12405

FRONT

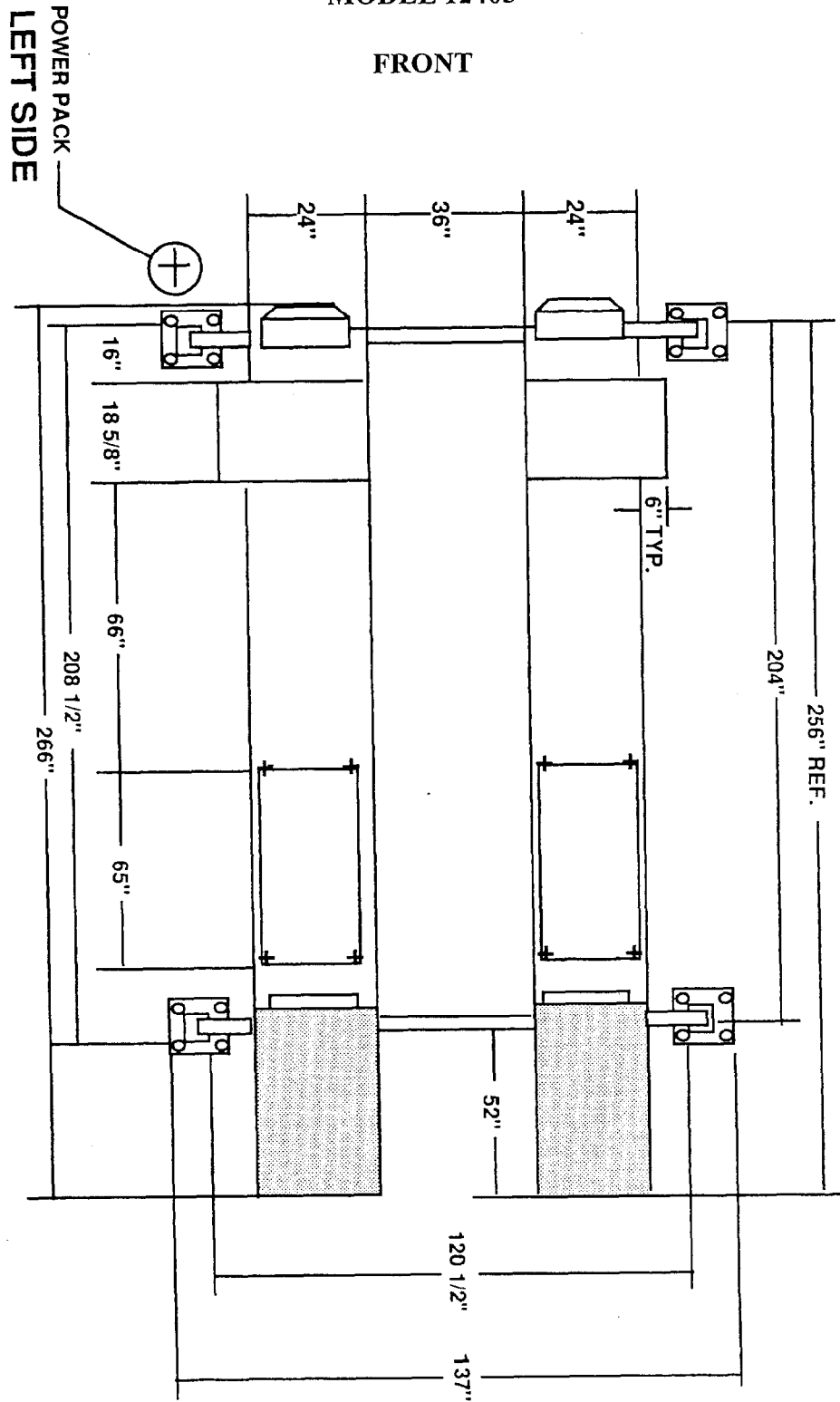


Figure 1

## 4. INSTALLATION INSTRUCTIONS

**PLEASE TAKE THE TIME TO READ THESE INSTRUCTIONS COMPLETELY. A QUICK CHECK OF THE CONTENTS OF THE ACCESSORY BOX WOULD ALSO DECREASE THE OVERALL TIME OF THE INSTALLATION.**

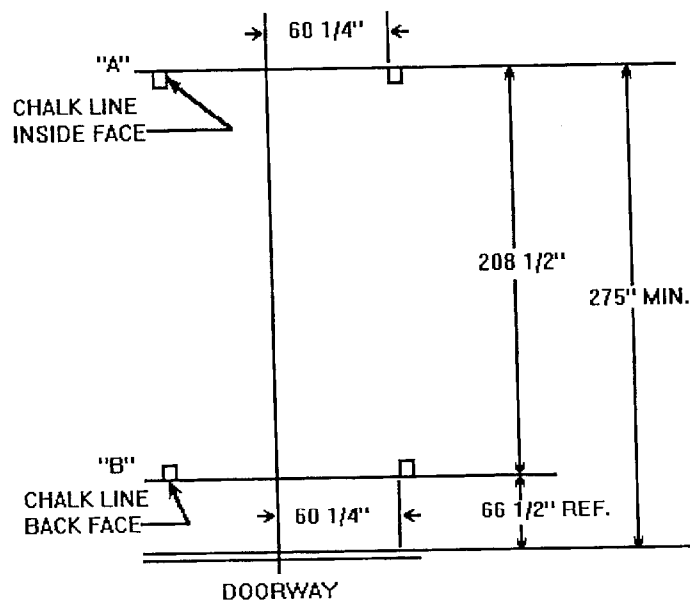
- Gather the tools and materials required for the installation.
- Select the location best suited for your lift.

**NOTE:** In determining lift area check for the following:

- Ease of driving a vehicle on and off the lift.
  - Overhead obstructions, low ceiling height, overhead doors, overhead heaters, etc.
  - Floor obstructions, uneven floor in lift area, floor drains, work benches, electrical in floor, etc.
- An outline matching the dimensions listed below will need to be marked on the floor. Refer to Figure 2 for outline dimensions. Refer to General Lift Specifications for overall lift dimensions. Figure 1.

### 4.1 CHALK LINE LAYOUT

Figure 2



Refer to Figure 2. Make a chalk line parallel to the doorway at least 275" in from the doorway. This will be the furthest front face of the front post location. Call this line "A". Determine the center of the doorway and bay. Make a centerline to intersect with line "A". Measure from the centerline along line "A" 60 1/4" in both directions. This will be the location of the inside face and front face of the front posts. Measure back from this line "A" 208 1/2". Make a chalk line parallel to line "A". Call this line "B". This will be the location for the back face of the rear posts. Measure from the centerline along line "B" 60 1/4" in both directions. This will be the location of the inside face and back face of the rear posts. Position work stands inside of line "A" and "B" of outline, to support the front and rear of each deck assembly.

## **IMPORTANT**

**NOTE:** To determine the front, rear, left side and right side of the decks check the following:

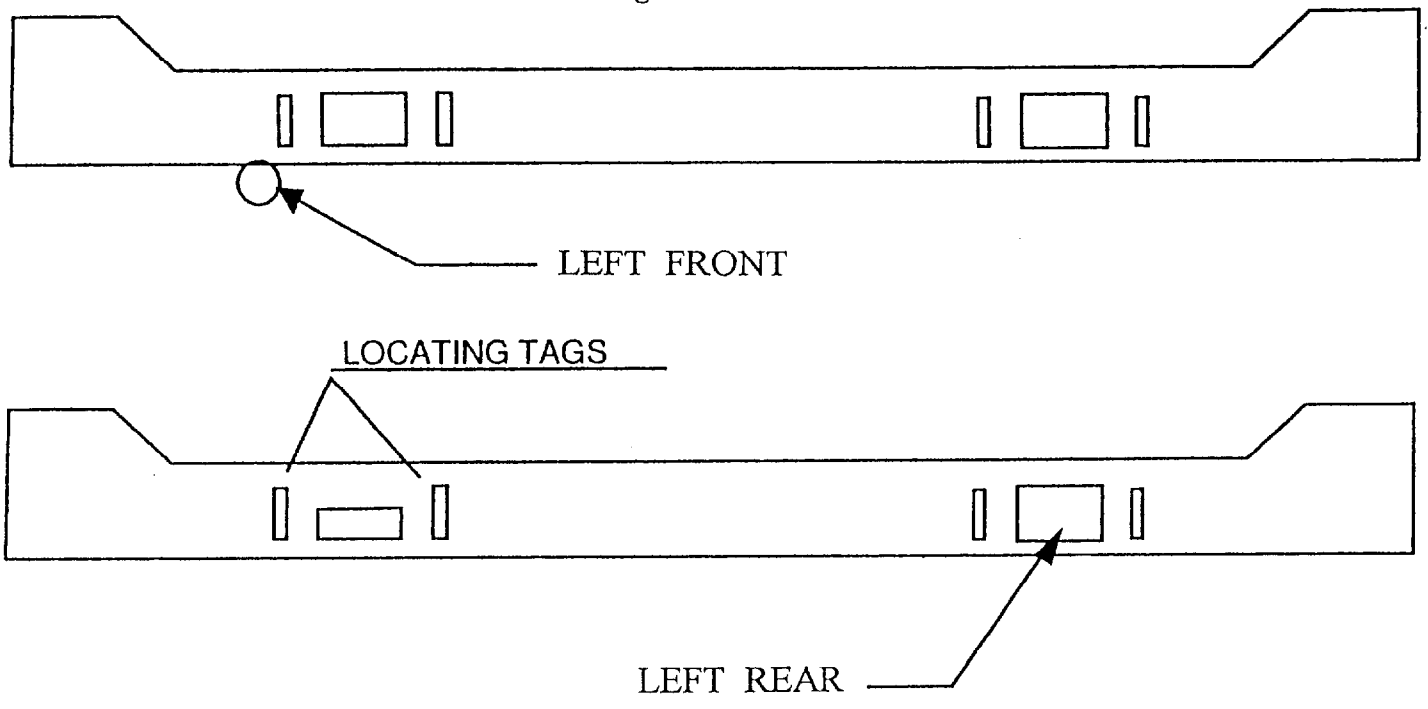
- The left deck has the hydraulic cylinder mounted to its underside. The rear of the decks have approach ramp brackets to install the drive on approach ramps. The work steps, attached to the turn plate pocket cutouts will face towards the front outside of the lift.
- Position decks on work stands.

**NOTE:** To determine the front and rear crossmember assembly see Figure 3, and check the following:

- The front crossmember assembly will have two (2) small openings for the cable routing. The openings will face the rear of the lift.
- The rear crossmember assembly will have one (1) small opening and one (1) larger opening for cable routing. These openings will face the front of the lift.
- The crossmember assemblies are fully assembled and the PULLEYS DO NOT NEED TO BE REMOVED FOR CABLE INSTALLATION. ALIGN CROSS-MEMBER ASSEMBLIES SO THAT THE DIAGONALS MEASURE WITHIN HALF AN INCH SQUARE.
- Install the crossmember assemblies under the front and rear of each deck assembly. The decks will fit inside the locating tabs of the crossmember assemblies. Install eight (8) 1/2 - 13 UNC x 1" lg. set screws to hold the decks to the crossmember assemblies. One set screw to the front and rear of each deck and one set screw into the four outer locating tabs on the front and rear crossmember assemblies.
- Reposition work stands under front and rear crossmember assemblies.

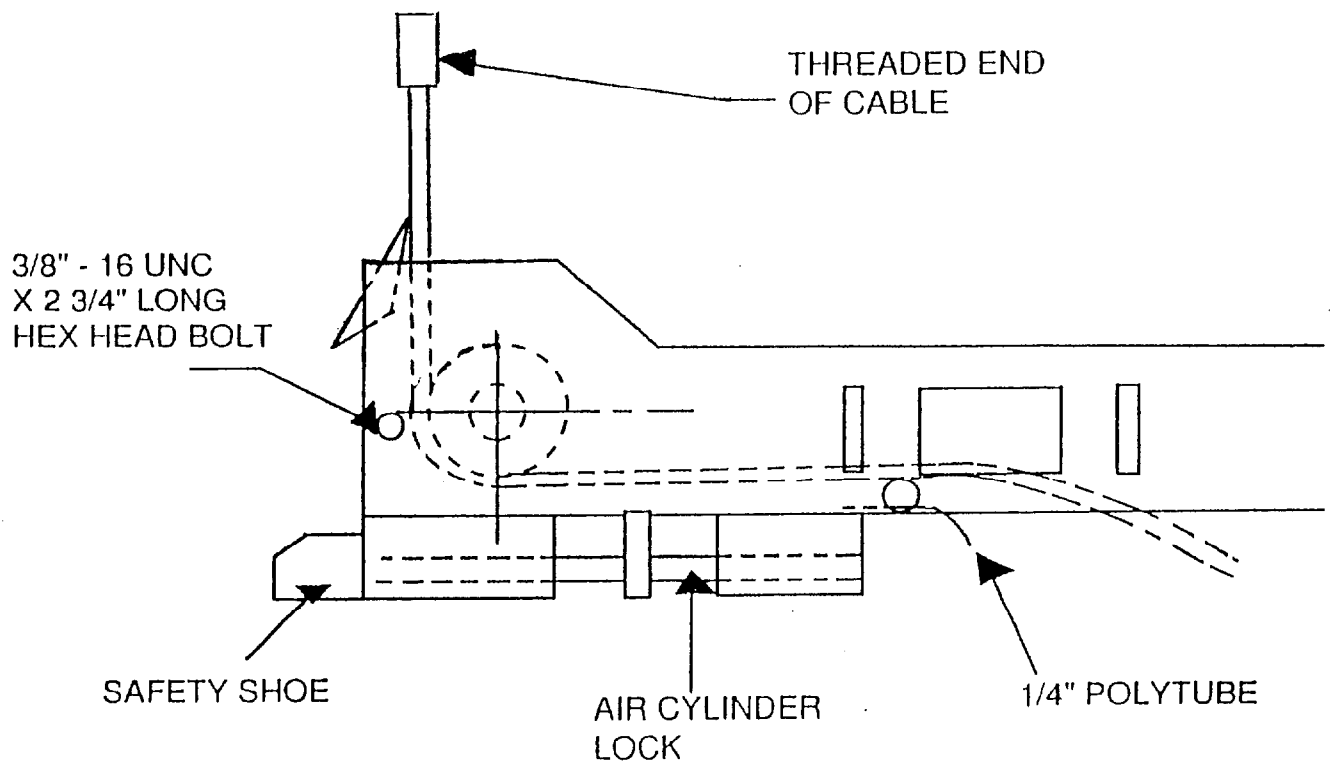
4.2 FRONT AND REAR CROSSMEMBER ASSEMBLY

Figure 3



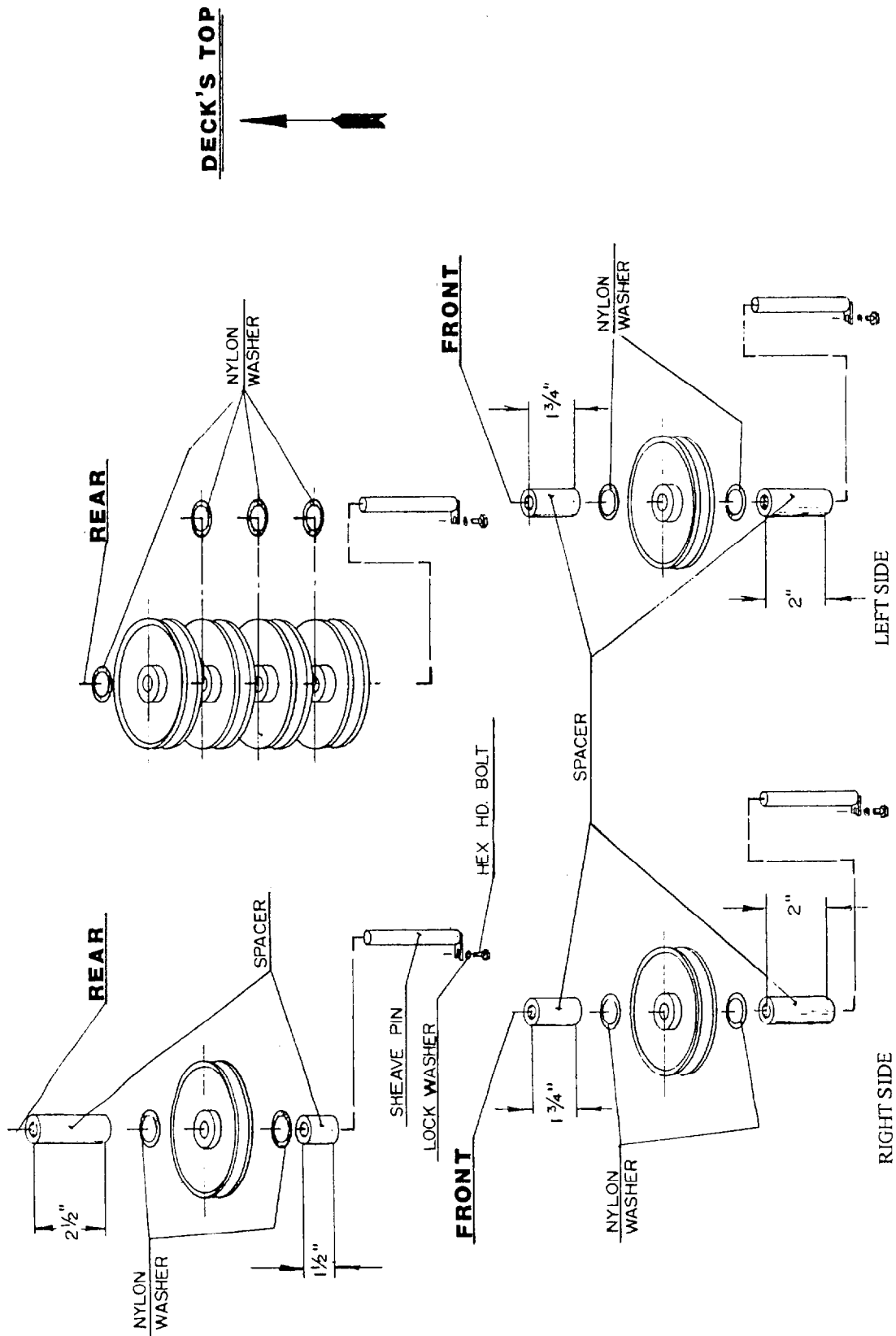
CABLE AND ROUTING IN CROSSMEMBER ASSEMBLY TYPICAL

Figure 4



# 4.3 SHEAVES INSTALLATION

Figure 5



#### 4.4 CABLE INSTALLATION

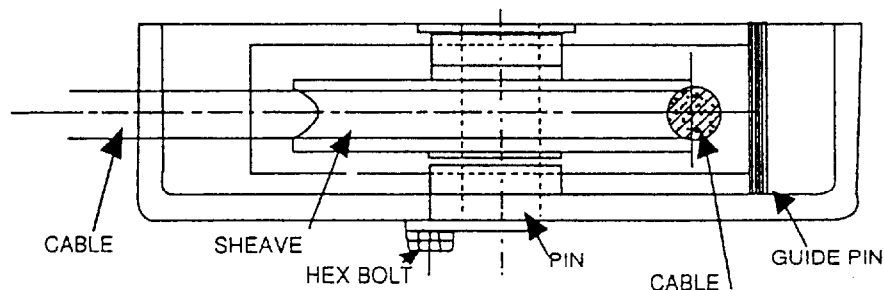
- Locate cables and set out on the floor. Check the part numbers located on each stud of each cable.

CABLE #1.....PART #2-0539 (376"LG. - L.F.)  
CABLE #2.....PART #2-0540 (181"LG. - L.R.)  
CABLE #3.....PART #2-0541 (233"LG. - R.R.)  
CABLE #4.....PART #2-0542 (427"LG. - R.F.)

**NOTE: THE PULLEYS (SHEAVES) ON THE CROSSMEMBERS DO NOT HAVE TO BE REMOVED FOR CABLE INSTALLATION. A 3/8" - 16 UNC × 2 3/4" LG. HEX HEAD BOLT MUST BE REMOVED FROM THE CROSSMEMBERS TO ALLOW CABLE INSTALLATION AROUND THE PULLEYS. THIS 3/8" - 16 UNC × 2 3/4" LG. HEX HEAD BOLT MUST BE REINSTALLED AFTER THE CABLES ARE ROUTED THROUGH THE CROSSMEMBER ASSEMBLIES.**

- Before beginning cable routing, refer to Figure 4 Cable and Routing Diagram.
- Begin routing cable #4 (part #2-0542) from the right side of the front crossmember assembly using the non threaded end of the cable as described in Figure 4, and out through the opening under the front of the right deck.
- CHECK FOR CORRECT ARRANGEMENT OF SPACERS ON SHEAVE STACKS, FIGURE 5.
- Install the sheave into the front of the right deck as shown in Figure 5.

**NOTE: MAKE CERTAIN THAT THE CABLE RUNS BETWEEN THE WELDED GUIDE PIN AND THE GROOVE IN THE PULLEY.**



**NOTE:** Typical deck sheave arrangement. Left and right front deck shown; cable must run between the welded guide pin and the groove in the sheave. Left and right front spacers have equal top and bottom sizes.

**NOTE:** Similar arrangement for sheave stack. Right deck rear spacer sizes are not equal - larger goes on top of stack.

#### SHEAVE STACK

Figure 6

- Continue to pull cable #4 over the center support of the right deck.
- Begin routing cable #3 (Part # 2-0541) from the right rear crossmember assembly using the non threaded end of the cable as described in figure 4, and out through the crossmember assembly to the opening under the rear of the right deck.

**TIP:** TAPE THE TWO CABLES TOGETHER, CABLE #3 ON TOP OF CABLE #4. THIS WILL KEEP THE TWO CABLES FROM TWISTING IN THE REAR CROSSMEMBER ASSEMBLIES.

- Continue to feed cables #3 and #4 through the rear crossmember assembly and out of the opening under the rear of the left deck.
- Install the sheave into the rear of the right deck as shown in figure 5.
- Route cable #2 (Part # 2-0540) from the left side of the rear crossmember assembly using the non threaded end of the cable as described in figure 4, and out through the crossmember assembly to the opening under the rear of the left deck.
- Route cable #1 (Part # 2-0539) from the left side of the front crossmember assembly using the non threaded end of the cable as described in figure 4, and out through the crossmember assembly to the opening under the front of the left deck.
- Install the sheave into the front of the left deck as shown in figure 5.

**NOTE:** MAKE CERTAIN THAT ALL CABLES ARE IN THE RIGHT POSITIONS AND ARE NOT TWISTED. VERIFY THAT ALL FOUR (4) OF THE 3/8"-16 UNC × 2 3/4" LG. HEX HEAD BOLTS ARE REINSTALLED ON THE CROSSMEMBER ASSEMBLIES.

- Install the sheave stack assembly at the rear of the left deck as shown in figure 5, Sheave Installation.

**NOTE:** ALL POSTS HAVE THE SAFETY RACKS ALREADY INSTALLED. THE LEFT FRONT POST WILL HAVE A MOUNTING BRACKET FOR THE POWER PACK INSTALLATION.

- Stand posts into position according to Figure 1 and 2.
- Install the threaded stud end of the cables through the top of the post. Use a 7/8" flat washer, and two (2) 7/8"-14 UNF hex nuts with cable spacers as required, to compensate for uneven floors.

**NOTE:** Hydraulic cylinder is precharged with four (4) gallons of ISO 32 hydraulic oil. Install power pack and hydraulic hose before attempting to extend cylinder rod for cable installation.

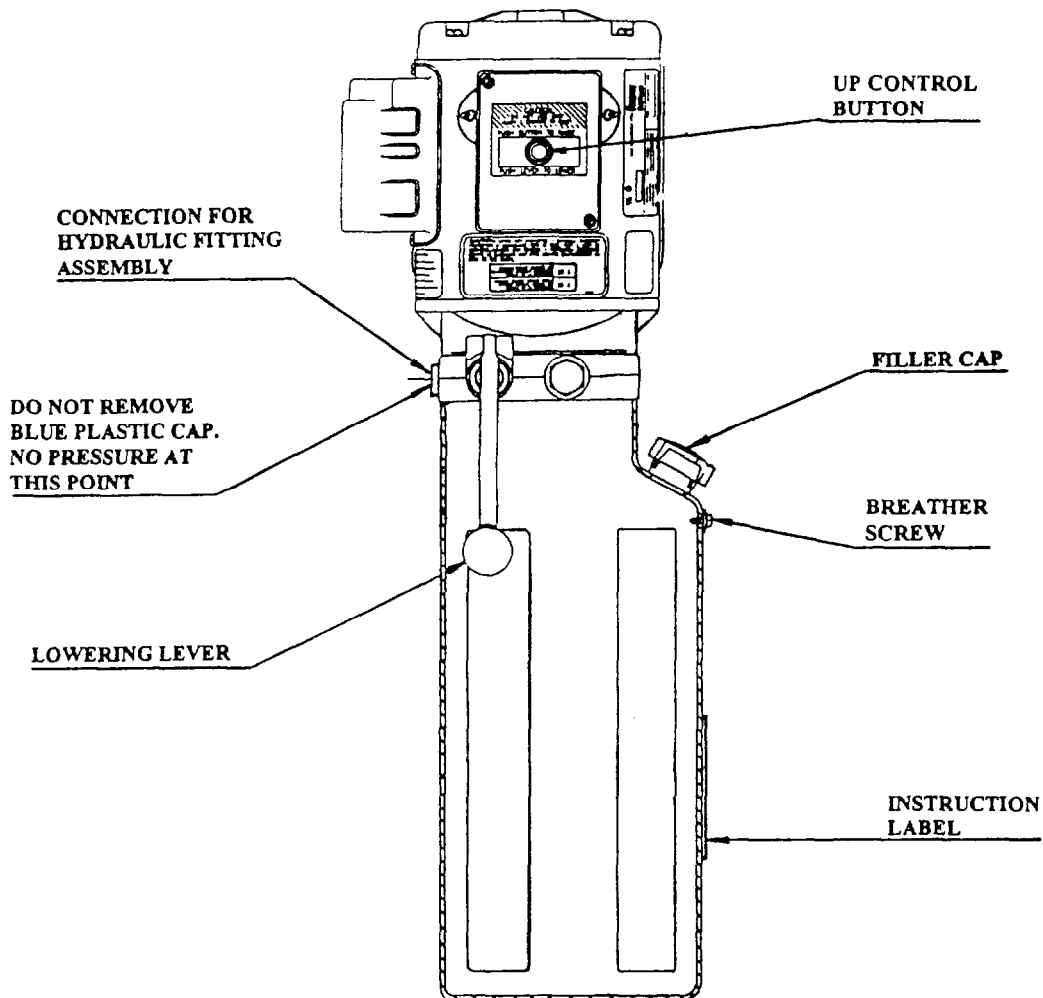
## 4.5 POWER PACK INSTALLATION

- Bolt the power pack to the mounting bracket on the front face of the left front post using four (4) 5/16"-18UNC x 1"LG. hex head bolts and four 5/16" lockwashers. Refer to Figure 7.

**NOTE: WHEN WORKING WITH HYDRAULIC LINES AND VALVES, IT IS IMPORTANT TO KEEP ALL COMPONENTS CLEAN AND FREE OF DIRT.**

### POWER PACK DETAILS

Figure 7



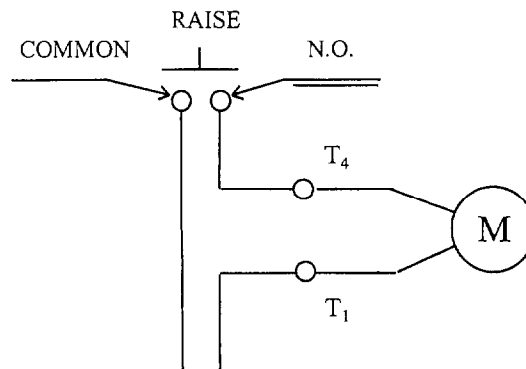
## 4.6 ELECTRICAL CONNECTIONS

**CAUTION:** ALL ELECTRICAL CONNECTIONS SHOULD BE MADE BY A QUALIFIED ELECTRICIAN.

Please refer to Figure 8, Electrical Diagram for 230 volts/1 phase electrical connections.  
Electrical Breaker Size Recommendation: 20Amps

### Electrical Diagram for 230V/1Ph.

Figure 8



**NOTE:** THE CYLINDER ROD MUST BE EXTENDED IN ORDER TO INSTALL THE NON-THREADED END OF THE CABLES TO THE CABLE FLANGE ON THE ROD.

- Remove the hydraulic cap from the fitting at the base of the hydraulic cylinder.
- Use an air chuck and blow air into the fitting in the breather hole in the base of the cylinder to extend the rod.

**NOTE:** AS ROD EXTENDS, OIL FROM CYLINDER RETURNS TO POWER PACK. RELEASE HANDLE ON POWER PACK NEEDS TO BE HELD DOWN (OPEN) TO ALLOW OIL TO RETURN TO POWER PACK.

- Continue to extend the rod until the non-threaded end of the cables are reached.
- Remove the clamp from the cable flange.
- Install the cables as shown in Figure 4, Cable and Routing Diagram.
- Reinstall the clamp to the cable flange.

## HYDRAULIC AND AIR KITS INSTALLATIONS

- Locate the supply lines: 1/4" and 3/8" polytube, 3/8" flexible hydraulic line, and the black plastic piping.
- Install the black plastic piping to the steel pipe welded to the underside of the front left side crossmember assembly.

### 4.7 HYDRAULIC INSTALLATION

- Refer to Parts Manual, Hydraulic and Air Kit Diagram

**TIP:** TAPE ONE END OF THE HYDRAULIC HOSE TO THE TWO POLYTUBES AND FEED THEM THROUGH THE BLACK PLASTIC PIPING. THEN REMOVE THE TAPE.

- Connect 3/8" JIC, M end of the flexible hydraulic hose to the fitting at the cylinder.

**DO NOT OVER TIGHTEN.**

- Install flow control assembly.
- Attach the other end 3/8" JIC, F of the flexible hydraulic hose to the adapter fitting on the power pack (3/8" JIC, M).

**NOTE:** THE HYDRAULIC CYLINDER IS NOT EMPTY

**NOTE:** THE PLASTIC PLUG ON THE POWER PACK IS NOT USED. THERE IS NO HYDRAULIC PRESSURE.

### 4.8 AIR INSTALLATIONS

- Attach the air valve assembly using two (2) #8 - 32 UNC × 1"lg. Phil. HD. screws to the two (2) #8 - 32 UNC hex nuts on the outside face of the left front post.

**NOTE:** MOST OF THE 1/4" AND 3/8" POLYTUBE CONNECTIONS HAVE BEEN MADE IN THE CROSSMEMBERS ASSEMBLIES AND LEFT DECK. ONLY FINAL CONNECTIONS ARE REQUIRED TO BE MADE. THE 1/4" POLYTUBE WILL BE USED FOR THE AIR CYLINDER LOCKS AND THE 3/8" POLYTUBE WILL BE USED FOR THE AIR OUTLETS TO THE JACKING BEAMS.

**CAUTION:** DO NOT OVER TIGHTEN CONNECTORS.

- Connect all of the 1/4" polytubes, coming out of the black plastic piping at the left front crossmember assembly, to the bolted manifolds at the front and rear of the left deck.

- Connect the opposite end of the 1/4" polytube, coming out of the black plastic piping, to the air valve on the outside face of the left front post.
- Connect the 3/8" polytube, coming out of the black plastic piping at the left front cross-member assembly, to the 3/8" polytube fitting at the front inside under the left deck.
- Connect the opposite end of the 3/8" polytube, coming out of the black plastic piping, to the air valve outlet on the outside face of the left post.

**NOTE:** FOR THOSE UNITS EQUIPPED WITH JACKING BEAMS, THIS WOULD BE THE TIME TO INSTALL THEM. CONSULT THE JACKING BEAM INSTRUCTIONS MANUAL FOUND IN EACH JACK BEAM BOX.

- IF JACK BEAMS ARE INSTALLED, PLUG THE ONE REMAINING OUTLET AT THE FRONT AND REAR OF THE LIFT.
  - IF JACK BEAMS ARE NOT INSTALLED, USE PLUGS AND/OR COUPLERS TO PLUG AIR OUTLETS.
- Hook up an air supply to the inlet of the water trap on the air valve assembly located on the outside of the left post.
  - Check for air leaks.
  - Check the operation of the air cylinder locks by depressing the air valve on the outside of the left front post.
  - Press the "UP" button on the hydraulic ALL power pack. Continue raising until the lift is supported by the cables.

**NOTE:** MAKE CERTAIN THAT THE MECHANICAL SAFETY LOCKS AND CABLE ROLLERS ARE WORKING PROPERLY.

#### **4.9 LEVELING PROCEDURE - CABLES**

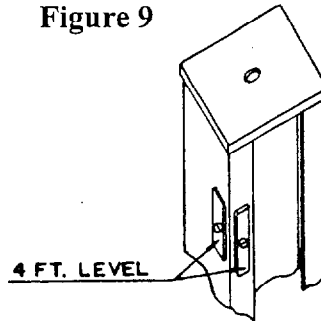
**NOTE:** Use a four (4) foot level to adjust the cables to level the decks side-to-side and front-to-rear. All cable adjustments can be made at the threaded end of the cable at the top of each of the four (4) posts.

- Tighten the two (2) 7/8" - 14 UNF hex nuts on each cable at the top of each post.
- Raise the lift to check operation.
- Lower lift by depressing the air valve while pulling down on the release lever of the power pack.

- Remove hand from air valve and allow the lift to hang on the cables.
- Use a four (4) foot level. Level and square all four posts.
- Begin leveling the highest post. Figure 9.

### POST LEVELING

Figure 9

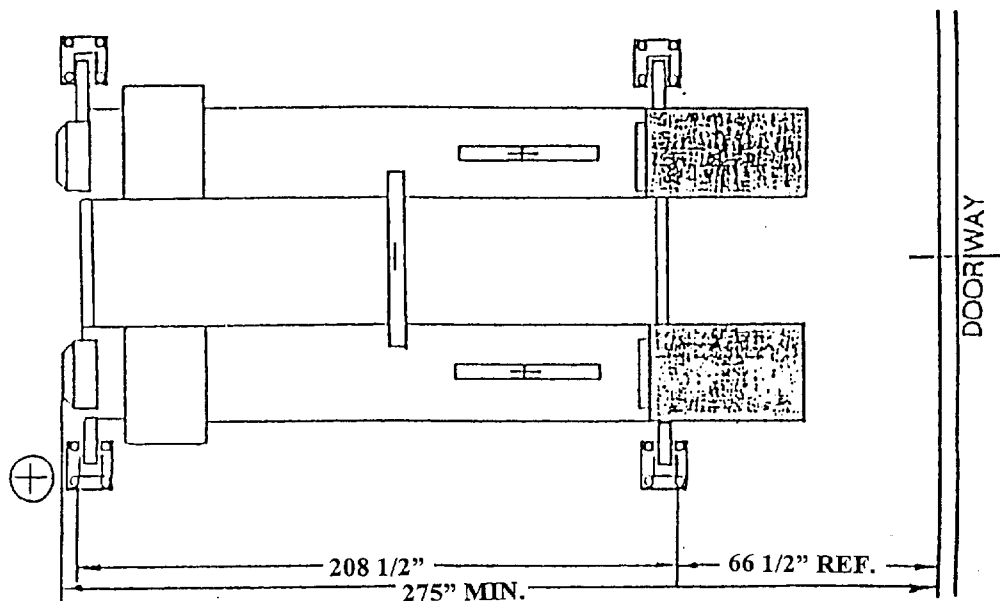


**NOTE:** MAKE CERTAIN THAT THE SAFETY RACK IN EACH OF THE POSTS IS SQUARE TO THE CROSSMEMBER ASSEMBLY AND THAT A MINIMUM CLEARANCE OF 1/8" IS MAINTAINED BETWEEN THE INSIDE FACE OF THE POSTS AND THE PLASTIC GUIDES ON THE CROSSMEMBER ASSEMBLY.

**CAUTION:** USE THE CORRECT WEDGE ANCHOR BOLTS. (SUPPLIED)

### DECK LEVELING

Figure 10



**NOTE:** Check and adjust the decks for level using the 4' level. Both the front plate cut-outs and rear steer plates should be checked.

## 4.10 ANCHOR INSTALLATION

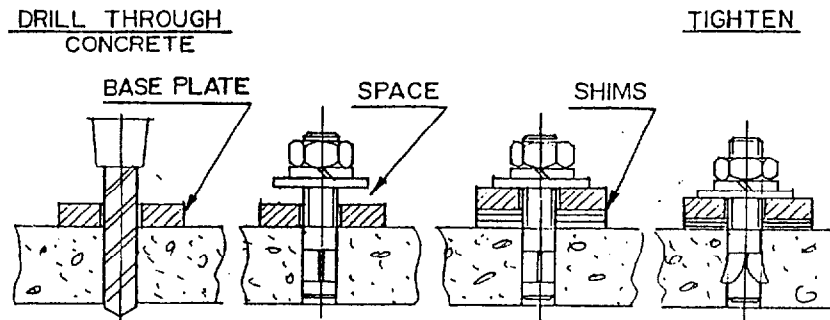
- The 3/4" × 4 3/4" lg. wedge anchor bolts supplied allow for the thickness of the base plates plus a maximum of 1" of shim stock. DO NOT USE ANCHORS SUPPLIED IF MORE THAN 1 INCH OF SHIM STOCK IS USED.
- Recheck all measurements before anchoring posts.

**Note:** First anchor the power post, and then work clockwise.

- Using a 3/4" concrete drill bit and rotary hammer drill, drill through the concrete floor in the four (4) anchor bolt location holes positioned on the base of each post.

### ANCHOR INSTALLATION

Figure 11



- Tighten all anchor bolts to a torque of 150 ft. lbs.
- Recheck and adjust the level of post(s) and cable(s) if necessary.

**NOTE:** IN CASES WHERE THE FLOOR IS EXTREMELY OUT OF LEVEL, THE MECHANICAL SAFETIES MAY NOT ENGAGE ON THE SAME LOCK.

#### 4.11 LEVELING PROCEDURE - SAFETY LADDERS

1. After the lift has been leveled on the cables, adjust the safety racks.
2. To check the mechanical safety locks, raise the lift up; make sure all locks engage at the same time making one noise. If the safeties are off slightly, gently bump the up button until you hear the first safety lock engage. Determine at which post the safety engaged; adjust each of the other safety racks until you hear the safety engage. Recheck to make certain that the safeties are engaging together.
3. To do this loosen the 3/8" - 16 UNC × 1" lg. hex bolt at the bottom back of each post and pull safety racks up until they come into full contact with each of the safety shoes on the crossmember assembly.
4. When level, tighten the two (2) 5/8" - 11 UNC hex nuts at the top of each safety rack and the 3/8" - 16 UNC × 1" lg. hex bolts at the bottom back of each post.
5. Raise the lift to check for full operating height of 71". This measurement is taken from the top of the decks to the floor.
6. Install approach ramps using ramp pins and cotter pins provided. Ensure the proper operation of the ramps.
7. Install front wheel stops using six (6) 1/2" - 13 UNC × 1" lg. hex bolts and 1/2" lockwashers.
8. Install the four (4) sheave covers over the sheaves in the crossmember assembly.
9. Cycle the lift several times to check proper operation of the cables, safety lock, air locks, etc...

**STOP IMMEDIATELY IF THE LIFT IS NOT OPERATING PROPERLY.**  
Adjust and recheck for proper operation.

## 5. SAFETY AND OPERATING INSTRUCTIONS

1. **Inspect** your lift daily. Do not operate it if malfunctions occur or damaged parts have been found.
2. **Never** attempt to overload the lift. The manufacturer's rated capacity is shown on the serial number tag on the power post.
3. **Operating controls, DO NOT OVERRIDE** the safeties. The mechanical safeties are designed to engage automatically on the way up. Press the up switch of the power pack to go up. When the desired height is reached, lower onto the safety. To lower, raise off of the safety locks, then press the air release valve and the lowering release lever at the same time.
4. **Only trained** and authorized personnel should operate the lift. Do **not** allow customers or bystanders to operate the lift or be in the lift area.
5. **Caution**, never work under the lift unless the mechanical safety locks are engaged.
6. **Before** driving vehicle on, make sure lift is in the fully down position.
7. **Before** removing the vehicle from the lift, make sure the lift is in the fully down position and ensure that all tools have been removed from the deck surfaces.
8. **Always** keep the lift area free from debris. Grease and oil spills should always be cleaned up immediately. **Never** leave any tools or parts laying on the decks.
9. **Never** operate lift with passengers in vehicle.

**NOTE: DO NOT ATTEMPT TO OPERATE THIS LIFT IF ANY PART IS NOT WORKING PROPERLY OR YOU HAVE NOT READ THE COMPLETE OPERATING INSTRUCTION MANUAL.**

## **6. RECOMMENDED MAINTENANCE**

### **DAILY**

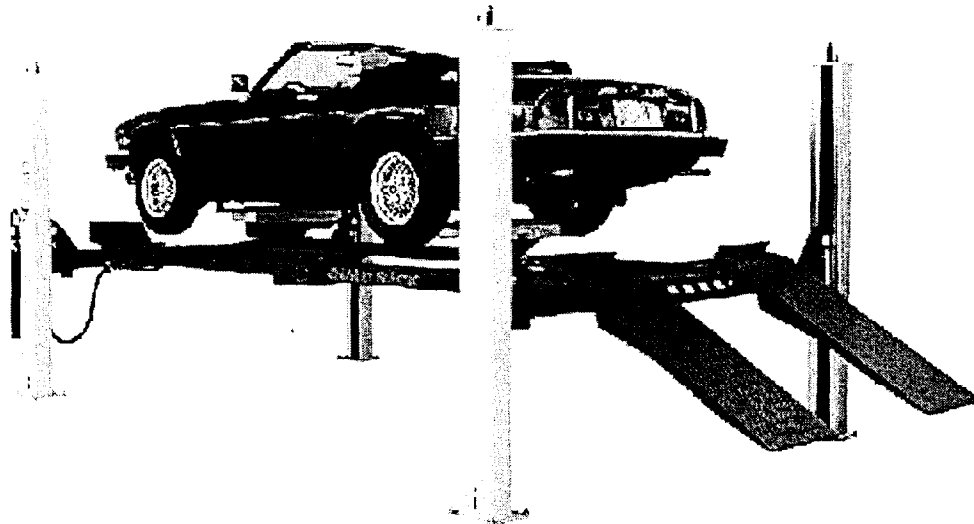
1. Check general operation of lift.
2. Check operations of mechanical safety locks.
3. Check operation of air release valve for air leaks.
4. Check operation of cables and pulleys.
5. Check and drain water trap filter bowl.

### **MONTHLY**

1. Check anchor bolts (if loose re-torque to 150 ft. lbs.). Replace concrete if anchors continue to loosen.
2. Check all air and hydraulic hoses, fittings and cylinders for leaks.
3. Check level of oil in power pack reservoir when lift is in the lowered position. Add if required.
4. Check lifting cables for wear, separation or breaks. If found, replace cables immediately. Lubricate cables with oil or a light grease.
5. Check and adjust cables if lifting is uneven. Make adjustments with weight on lift.
6. Check all fasteners and tighten as required.
7. Check all pulleys on crossmember assembly and under the runways for wear or play. Replace immediately. Pulley pins are held in place by a 3/8" - 16 x 1" lg. Hex Hd Bolt. Make certain that this bolt is in position and tight.
8. Check and adjust safety racks if lift is not level on safety, or if safeties do not engage properly.
9. Check and clean full floating rear steer plates. Lubricate with oil or light grease.
10. Lubricate all safety shoes and locks.



# EXPLODED VIEWS AND PARTS LISTS



**4-POST  
Model AC12405FM/  
AC12406  
12000 LB.**

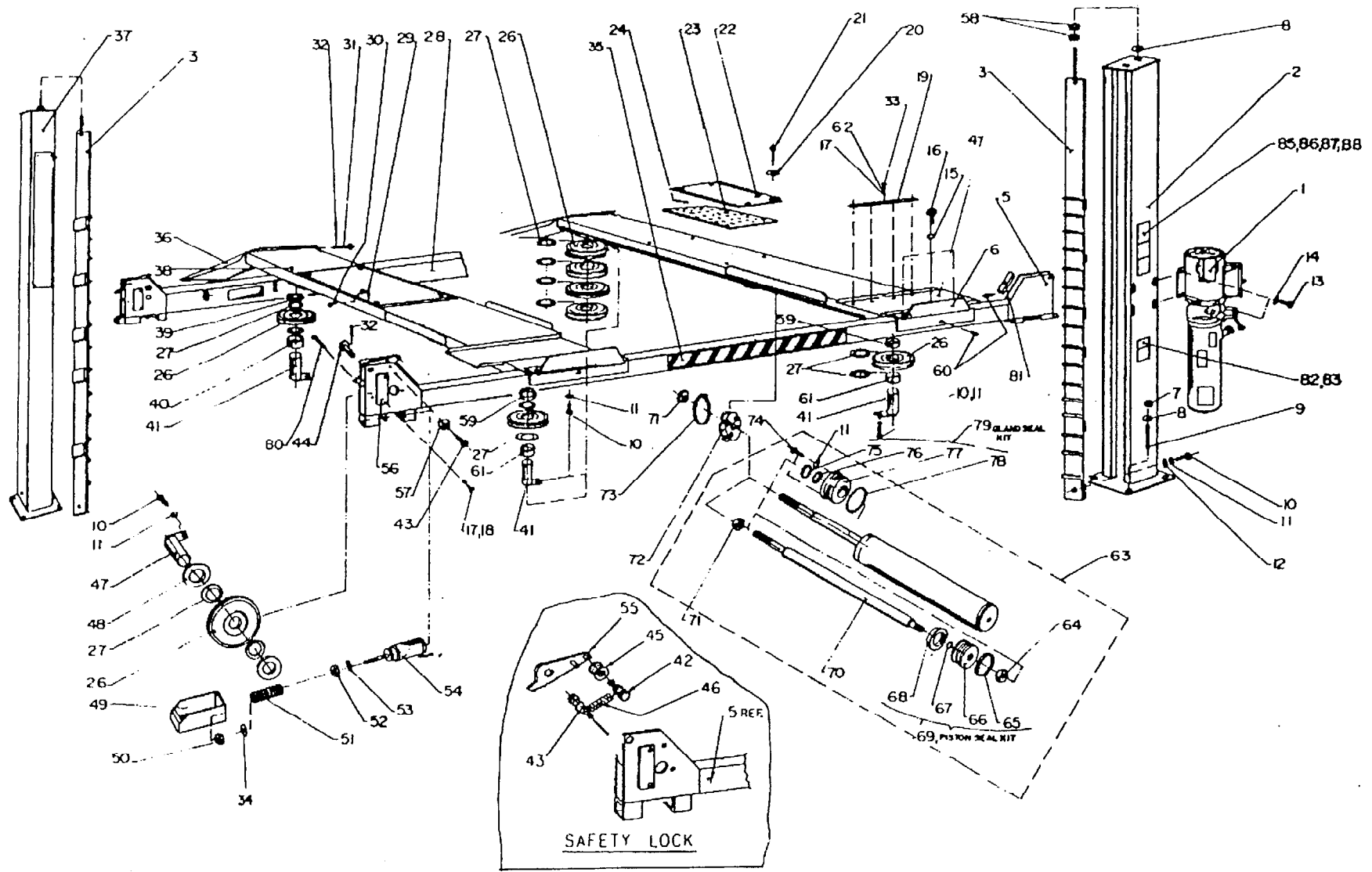


**READ and SAVE THIS  
INSTRUCTION MANUAL**



P.O. Box 15540 Richmond, VA 2327  
804-798-8922  
[www.accu-turn.com](http://www.accu-turn.com) 1-800-551-2228

MAR. 2000 6-2207



LIFT ASSEMBLY

## PARTS LIST

ITEM	QTY.	DESCRIPTION	PART#
1	1	POWER PACK, 230V/1PH/60HZ.	6-1936
2	1	POWER POST	4-0186
3	4	SAFETY RACK WLDMT.	3-0487
4*	1	ALIGNMENT DECK WLDMT, (LEFT SIDE)	4-0183
5	1	FRONT CROSSMEMBER WELDMENT	4-0190
6	2	FRONT WHEEL STOP	2-0998
7	16	HEX NUT, 3/4"-10UNC	6-0737
8	20	FLAT WASHER, 3/4" I.D.	6-0738
9	16	WEDGE ANCHOR, 3/4"-10UNC X 4 3/4" LG.	6-0736
10	12	HEX HD. BOLT, 3/8"-16UNC X 1" LG. GR.8	6-0668
11	14	LOCKWASHER, 3/8" I.D.	6-0058
12	8	FLAT WASHER, 3/8" I.D.	6-0062
13	4	HEX HD. BOLT, 5/16"-18UNC X 3/4" LG.	6-0423
14	4	LOCKWASHER, 5/16" I.D.	6-0674
15	6	LOCKWASHER, 1/2" I.D.	6-0059
16	6	HEX HD. BOLT, 1/2"-13UNC X 1" LG.	6-0045
17	32	LOCKWASHER, 1/4" I.D.	6-0056
18	16	HEX HD. BOLT, 1/4"-20UNC X 3/4" LG.	6-0178
19	4	RETAINING BAR	2-1391
20	8	FLAT WASHER, 13/32" I.D. X 2" O.D.	6-0426
21	8	SHOULDER BOLT, 3/8" DIA. X 5/8" LG.	6-0069
22	2	REAR SLIP PLATE	3-0197
23	2	BEARING CAGE	3-0196
24	1 SET	BALL BEARING	6-0829
26	11	SHEAVE ASSEMBLY	2-0557
27	21	NYLON THRUST WASHER	1-0757
28	1	REAR CROSSMEMBER WELDMENT	4-0188
29	4	LOCKING PIN ASSEMBLY	2-0637
30	4	SELF TAPPING SCREW, #10 X 1/2" LG.	6-0505
31	2	RAMP PIN	1-0095
32	6	COTTER PIN, 1/8" X 2" LG.	6-0115
33	12	HEX HD. BOLT, 1/4"-20UNC X 3/4" LG.	6-0178
34	8	FLAT WASHER, 1/4" I.D.	6-0060
35	2	"CAUTION" TAPE, (40" LG.)	6-1125
36	2	APPROACH RAMP	3-0285
37	3	POST	3-0347
38**	1	ALIGNMENT DECK WLDMT, (RIGHT SIDE)	4-0184
39	1	SHEAVE SPACER, 2 1/2" LG.	1-0798
40	1	SHEAVE SPACER, 1 1/2" LG.	1-0788

ITEM	QTY.	DESCRIPTION	PART#
41	4	DECK SHEAVE PIN	2-0566
42	4	SHOULDER BOLT, 3/8"DIA. X 1 1/2"LG.	6-0801
43	12	SHOULDER BOLT, 3/8"DIA. X 3/4"LG.	6-0729
44	4	LOCK SAFETY PIN	1-0769
45	4	CABLE ROLLER	1-0766
46	4	TENSION SPRING	1-0768
47	4	CROSSMEMBER SHEAVE PIN	1-0771
48	8	SHEAVE SPACER, 13/32"LG.	1-0786
49	4	SAFETY SHOE WLDMT.	2-0990
50	4	HEX NYLON LOCKNUT, 1/4"-28UNF	6-1563
51	4	COMPRESSION SPRING	1-0767
52	4	HEX NUT, 5/8"-18UNF	6-0662
53	4	INTERNAL TOOTH LOCKWASHER, 5/8"I.D.	6-0663
54	4	AIR CYLINDER, 5 1/2" ROD LGTH. (SPR-12)	6-0651
55	2	SAFETY LOCK LS	2-0567
	2	SAFETY LOCK RS	2-1475
56	8	PLASTIC BRACKET	1-0775
57	8	PLASTIC GUIDE	1-0776
58	8	HEX NUT, 5/8"-11UNC, GR.8	6-0036
59	2	SHEAVE SPACER, 1 3/4"LG.	1-0799
60	8	SET SCREW, 1/2"-13UNC X 1"LG. GR.8	6-0726
61	2	SHEAVE SPACER, 2"LG.	1-0943
62	16	FLAT WASHER, 1/4"ID x 3/4" OD, PALTED	2-0843
63	1	HYDRAULIC CYLINDER	4-0187
64	1	LOCKNUT, 7/8"-14UNF	6-1160
65	1	WEAR RING	6-0004
66	1	PISTON	2-0564
67	1	"O" RING	6-1305
68	1	PISTON SEAL	6-0003
69	1	PISTON SEAL KIT	0-0169
70	1	PISTON ROD	2-0565
71	2	HEX NUT, 1"-14UNF-2A, GR.8	6-0664
72	1	CABLE FLANGE	2-0561
73	1	CLAMP	6-0665
74	2	HEX HD. BOLT, 3/8"-16UNC X 1 1/4"LG. GR.8	6-0666
75	1	ROD WIPER	6-0653
76	1	ROD SEAL	6-0654
77	1	GLAND	3-0348
78	1	"O" RING	6-0655
79	1	GLAND SEAL KIT	0-0170
80	4	HEX HD. BOLT, 3/8"-16UNC X 2 3/4"LG.	6-0730
81	4	SHEAVE COVER	2-0575

ITEM	QTY.	DESCRIPTION	PART#
82	1	SERIAL TAG	6-1115
83	1	ALI/ETL DECAL	6-0996
85	1	"CAUTION" DECAL	6-0592
86	1	"SAFETY INSTRUCTIONS" DECAL	6-0351
87	1	"WARNING" DECAL	6-0595
88	1	"ATTENTION" DECAL	6-1637

**FOR SERVICE MODEL**

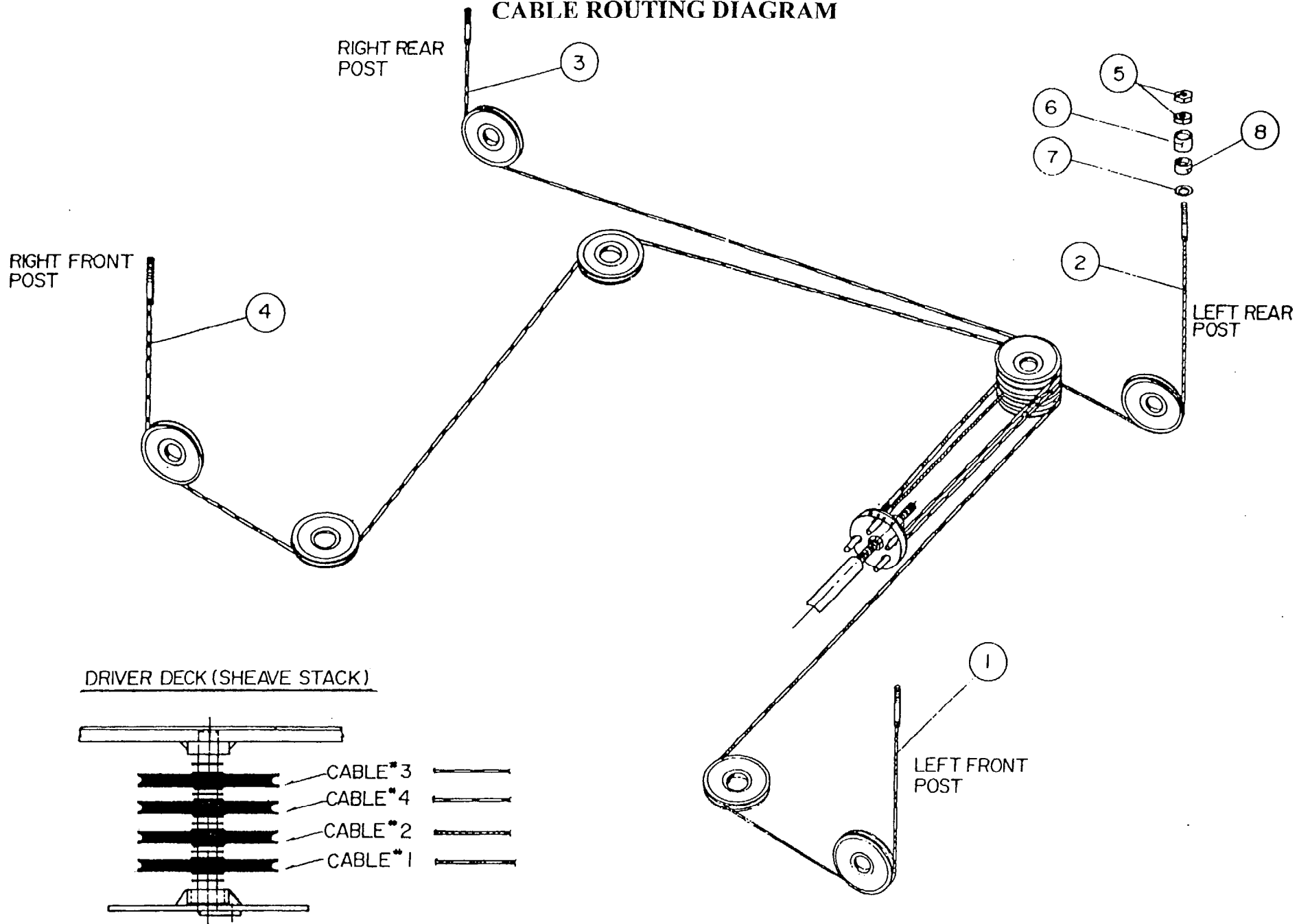
*	1	SERVICE DECK WLDMT, (LEFT SIDE)	4-0195
**	1	SERVICE DECK WLDMT., (RIGHT SIDE)	4-0196



## HYDRAULIC AND AIR KITS PART LIST

ITEM	QTY.	DESCRIPTION	PART#
1	8	90° ELBOW, 1/8"NPT X 1/4"POLY TUBE	6-0709
2	4	AIR CYLINDER	6-0651
3	50 FT.	1/4" DIA. POLY TUBE	6-0706
4	3	ADAPTER, 3/8" POLY TUBE X 1/4"NPT	6-0710
5	2	TERMINAL BOLT, 3/4"	6-0713
6	2	PLUG, 1/4"NPT	6-0282
7	3	1/4" NPT STREET TEE	6-0014
8	1	1/4" NPT STREET ELBOW	6-0015
9	25 FT.	3/8" DIA. POLY TUBE	6-0707
10	1	90° ADAPTER, 3/8"JIC M X 9/16"-18 M	6-0804
11	4 FT.	HOSE GUARD	6-0714
12	1	POWER PACK 230V/1PH/60HZ.	6-1936
13	1	HYD.HOSE ASS'Y,3/8"SWIVELx3/8"JIC M,147"LG.	6-0715
14	3	CABLE TIE	6-0731
15	1	AIR VALVE & FILTER ASS'Y	2-1394
16	2	ADAPTER, 3/8"NPT M X 3/8"JIC F, SWIVEL	6-0797
17	1	FLOW CONTROL	6-0090
18	1	AIR VALVE	6-1775
19	1	90° ELBOW, 1/4"NPT M X 3/8"NPT F	6-0796
20	4	ADAPTER, 1/4" POLY TUBE X 1/8"NPT	6-0708
21	1	AIR VALVE PUSHBUTTON KIT	6-1777
22	1	AIR FILTER	6-0180
23	1	AIR VALVE FITTING KIT	0-0405
24	1	VELOCITY FUSE	6-0025
25	1	PLUG, 1/8" NPT	6-0182
26	2	MANIFOLD	1-1057
27	4	HEX HD.CAP SCREW, 1/4"-20UNC X 1 1/2"LG.	6-0205
28	4	HEX NUT, 1/4"-20UNC	6-0032
29	4	LOCKWASHER, 1/4" I.D.	6-0056
32	1	"LIFT OPERATION" DECAL	6-0593
33	1	ADAPTER, 1/8"NPT M X 1/4"JIC M	6-0280

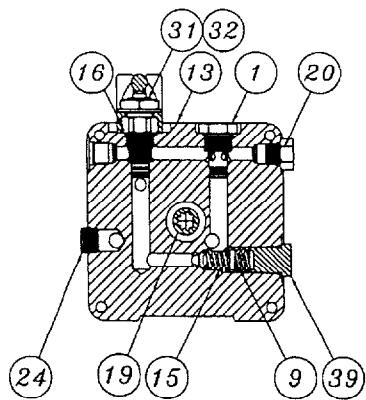
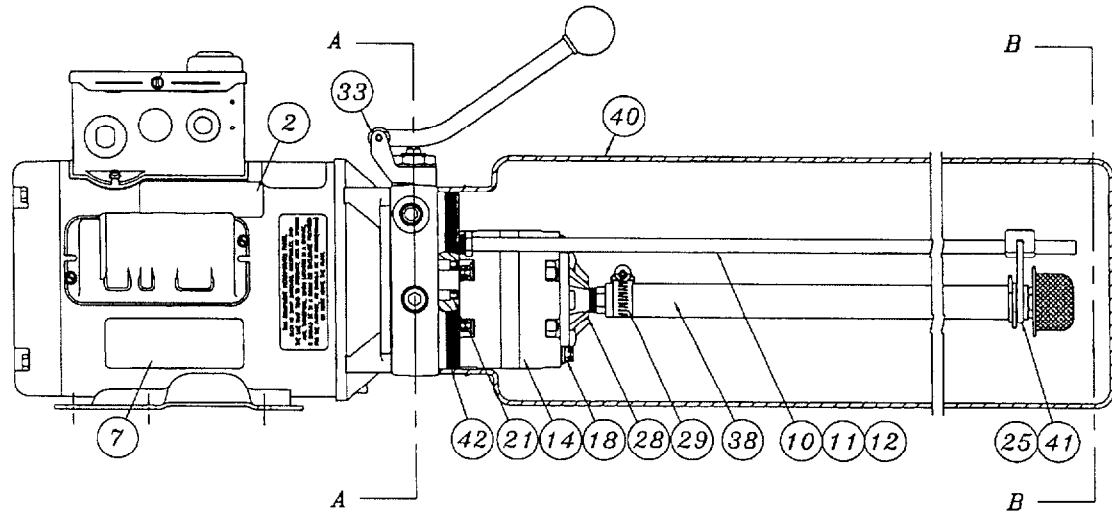
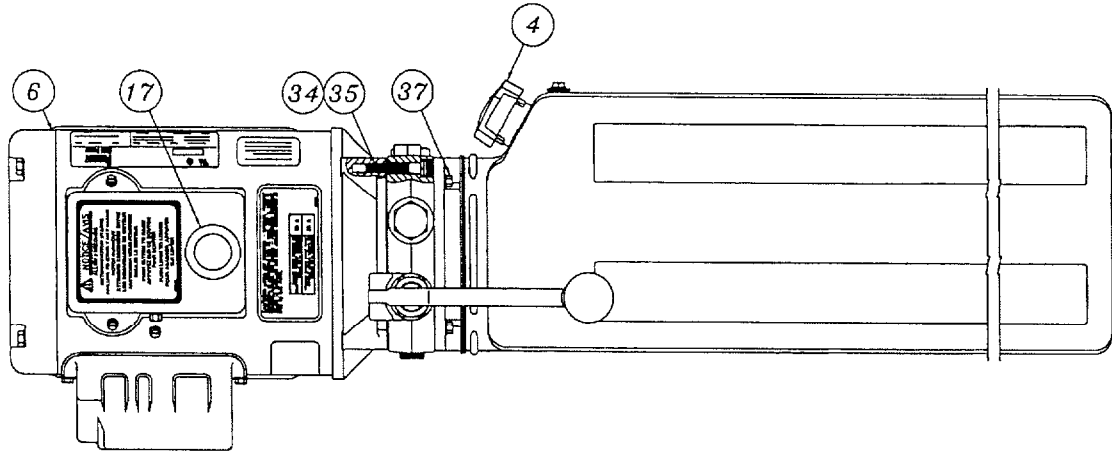
# CABLE ROUTING DIAGRAM



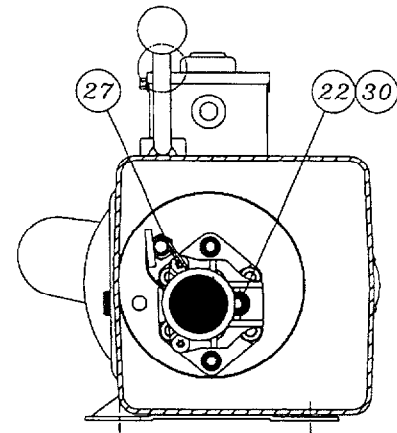
## QUAD RACK LIFT 12000 - CABLE ROUTING

ITEM	QTY.	DESCRIPTION	PART#
1	1	CABLE ASSEMBLY, 376"LG. (LEFT-FRONT)	2-0539
2	1	CABLE ASSEMBLY, 181"LG. (LEFT-REAR)	2-0540
3	1	CABLE ASSEMBLY, 233"LG. (RIGHT-REAR)	2-0541
4	1	CABLE ASSEMBLY, 427"LG. (RIGHT-FRONT)	2-0542
5	8	HEX NUT, 7/8"-14UNF, GR.8	6-0724
6	4	CABLE SPACER, 2"LG.	1-0800
7	4	FLAT WASHER, 7/8" I.D.	6-0725
8	4	CABLE SPACER, 1"LG.	1-0801

POWER PACK: #6-1936 (AB-1400) 208-230V/1PH/60Hz



A-A



B-B

POWER PACK PARTS LIST: #6-1936 (AB-1400) 208-230V/1PH/60Hz

ITEM	QTY.	DESCRIPTION	PART #
1	1	VALVE CARTRIDGE CHECK	6-1087
2	1	LABEL INSTALLATION AUTOHOIST	6-2136
4	1	BREATHER CAP & BLADDER	6-1376
6	1	MOTOR AC 208-230V. 2HP/1PH/60Hz, BLK	6-2139
7	1	LABEL WARNING AUTOHOIST	6-2149
9	1	SPRING 0.480" x 0.063" x 0.42" COMP	6-2151
10	1	RETURN HOSE 3/8" OD x 21.5"	6-2152
11	1	COMPRESSION TUBE NUT	6-2153
12	1	COMPRESSION TUBE SLEEVE	6-2154
13	1	ENDHEAD UNIVERSAL AUTOHOIST	6-2155
14	1	PUMPASSY 3.1 CC/REV. SHORT SPLINE	6-1688
15	1	RELIEF ASSEMBLY FIXED 170 BAR	6-1317
16	1	VALVE CARTRIDGE RELEASE MANUAL	6-0880
17	1	WIRING ASSEMBLY AC 1PH FENNER	6-2156
18	2	BOLT 5/16"-24 x 3.00" TORX G8	6-1090
19	1	COUPLING SAE 9T-20/40 1.260"	6-0774
20	1	PLUMBING PLUG 9/16" SAE	6-2157
21	1	SEAL SHAFT 0.500" x 1.00" x 0.25"	6-2158
22	1	WASHER 0.338" x 0.625" x 0.060" STEEL	6-2159
24	1	PLUMBING PLUG 3/8" NPT	6-2161
25	1	PLUMBING MAGNET	6-2162
27	2	SCREW TAPTITE M6 x 1.0 12MM TORX	6-2164
28	1	COVER ASSY SUCTION	6-2165
29	1	PLUMBING CLAMP HOSE ADJ. INLET	6-2166
30	1	BOLT 5/16"-18 x 1.00" SHCS	6-1392
31	1	NUT 3/4"-16 x 1" HEX x 0.250" STEEL	6-2167
32	1	WASHER 3/4" INT. TOOTH LOCK	6-2168
33	1	BRACKET - HANDLE ASSY REL BLACK	6-0776
34	4	BOLT M6 x 1.0 35MM SOC HD	6-2169
35	4	WASHER 1/4" LOCK HI-COLLAR	6-2170
37	4	BOLT #12-24 x 0.50' HEX WSHRHD	6-1091
38	1	PLUMBING ASSY INLET 17.24 (3)	6-0786
39	1	RELIEF VALVE CAP ASSEMBLY	6-1089
40	1	TANK PLASTIC 6.7 OS 22.50" BLK	6-1399
41	1	CABLE TIE 8" LONG WHITE	6-1846
42	1	O-RING 2-348 BUNA	6-0875

# LIFT MAINTENANCE GUIDELINES

## Four Post Lifts and Roller Jacks

### Safety Instructions

Read operating and safety manuals before using any lift  
Do not operate a lift that has been damaged or is in disrepair  
Proper inspection and maintenance is necessary for safe operation

### *General*

Check all air and hydraulic lines and fittings for pinch points , damage , cracks or leaks  
Check all electrical wiring for pinch points , cracks or damage  
Check all moving parts for uneven or excessive wear  
Repair or replace all damaged , defective , worn or broken components immediately

### Four Post Lifts

- clean roller jack rails weekly ( daily if necessary )
- an in-line filter/regulator/lubricator should be installed on all air lines and maintained weekly
- clean front turntable bearing cage with air every month
- if lift is equipped with slide blocks > clean and re-grease slide block channels in each column every two months
- lubricate cable pulleys every three months
- if lift is equipped with rear slip plates > dismantle , clean , touch up deck surface if required , and rotate bearing cage every four months ( more frequent if necessary )
- check cables for fraying and adjustment . Lubricate cables with cable or penetrating oil every six months
- lubricate safety shoes every six months
- change hydraulic oil every two years
- periodically check anchor bolts and re-torque if required

### Rolling Air Jacks

- an in-line filter/regulator/lubricator should be installed close to the pump . Add a few drops of oil to the air intake weekly if no lubricator is used or when idle for a long period of time
- lubricate roller bearings and roller guide springs every two months
- dismantle and clean lift arms every four months
- clean and lubricate lower cam rollers and hinge points every six months
- clean and lubricate safety mechanism every six months
- change hydraulic oil every two years

Lubrication : Where grease is required > multi-purpose lithium grease  
Where lubricating oil is required > multi-purpose SAE 30 lubricating oil  
Where hydraulic oil is required > ISO 32 10W - non detergent hydraulic oil

# CAUTION

ALL SAFETY LADDERS USED ON 4-POST LIFTS ARE PRELOADED.

**REMOVING THE BOLT HOLDING THE BOTTOM PORTION OF THE SAFETY LADDER WITHOUT PROPER PRECAUTIONS CAN RESULT IN INJURY.**

PLEASE CONTACT CUSTOMER SERVICE FOR PROPER REMOVAL INSTRUCTIONS.

